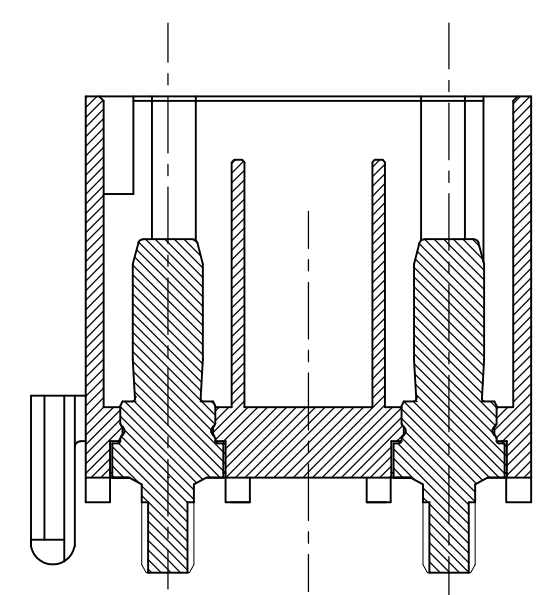
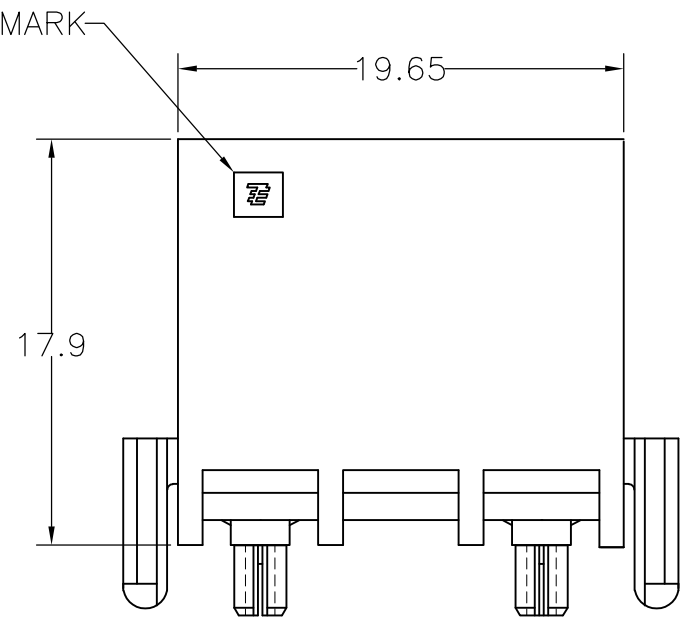
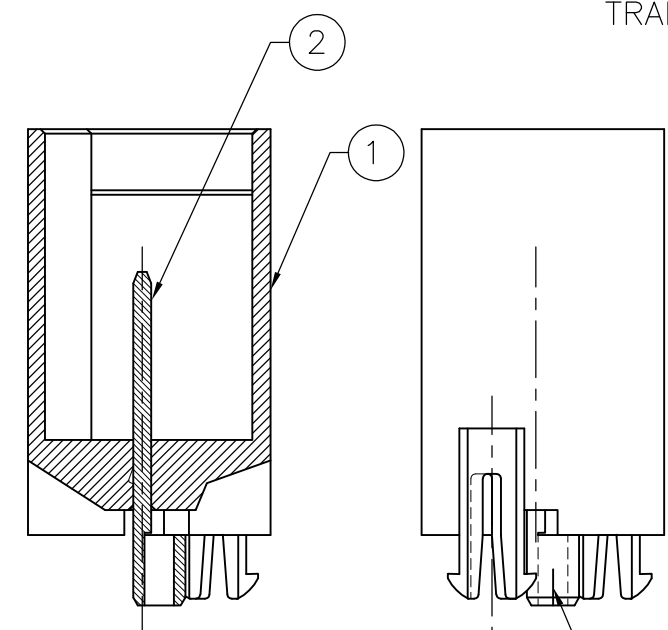
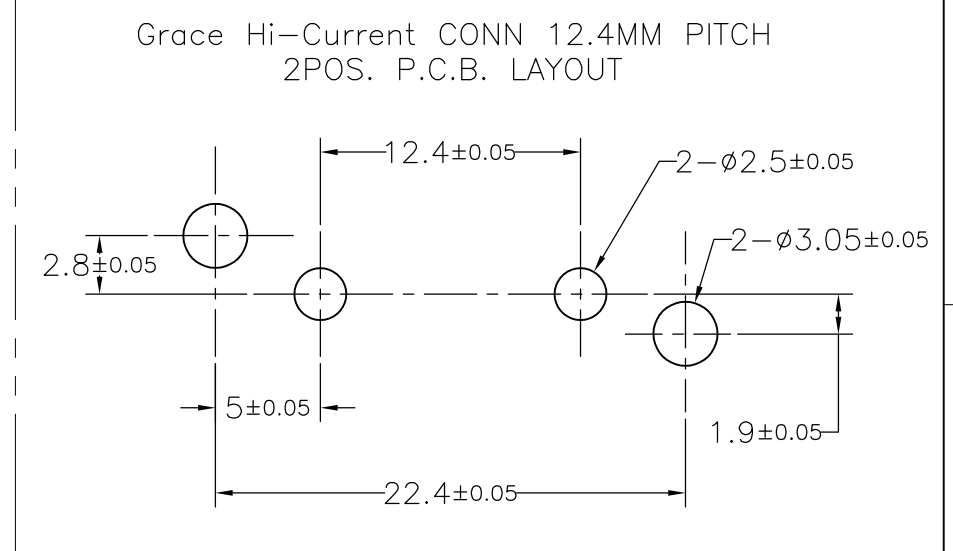
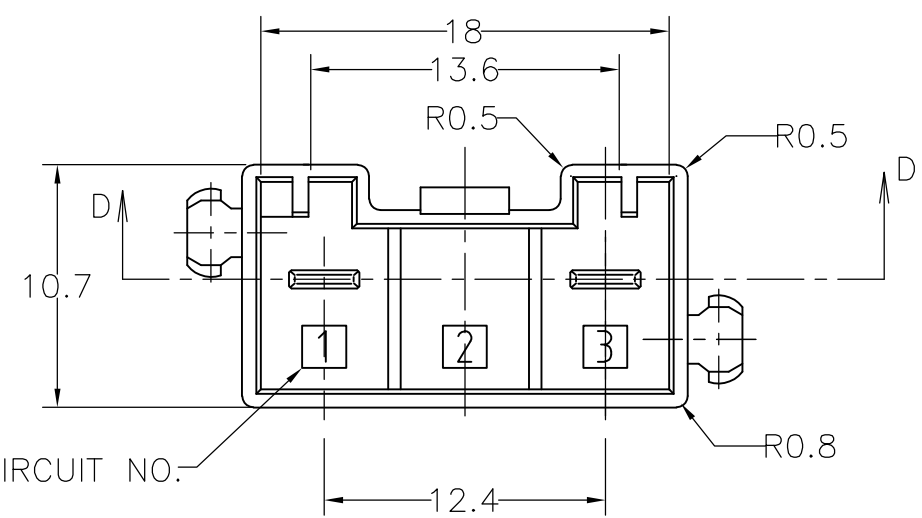


THIS DRAWING IS UNPUBLISHED. RELEASED FOR PUBLICATION
 © COPYRIGHT BY TYCO ELECTRONICS CORPORATION. ALL RIGHTS RESERVED.

LOC	DIST	REVISIONS					
J	—	P	LTR	DESCRIPTION	DATE	DWN	APVD
			B1	REVISED PER ECR-10-019989	05OCT10	HMR	TM

注)
 △嵌合相手製品型番
 プラグハウジング : SEE TABLE
 リセコンタクト : 1746971-1
 : 1746972-1
 △色むらが出る可能性があります。

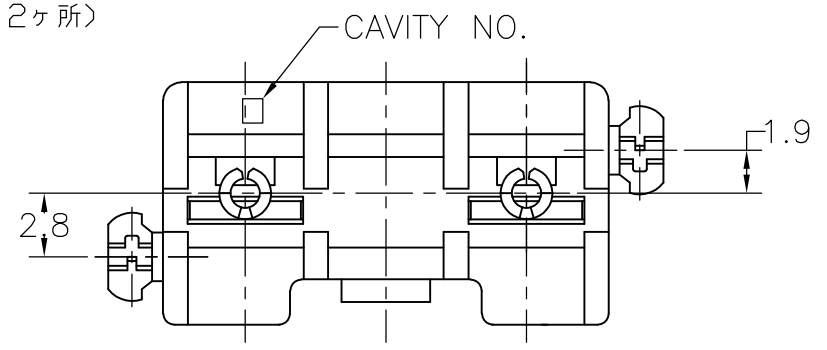
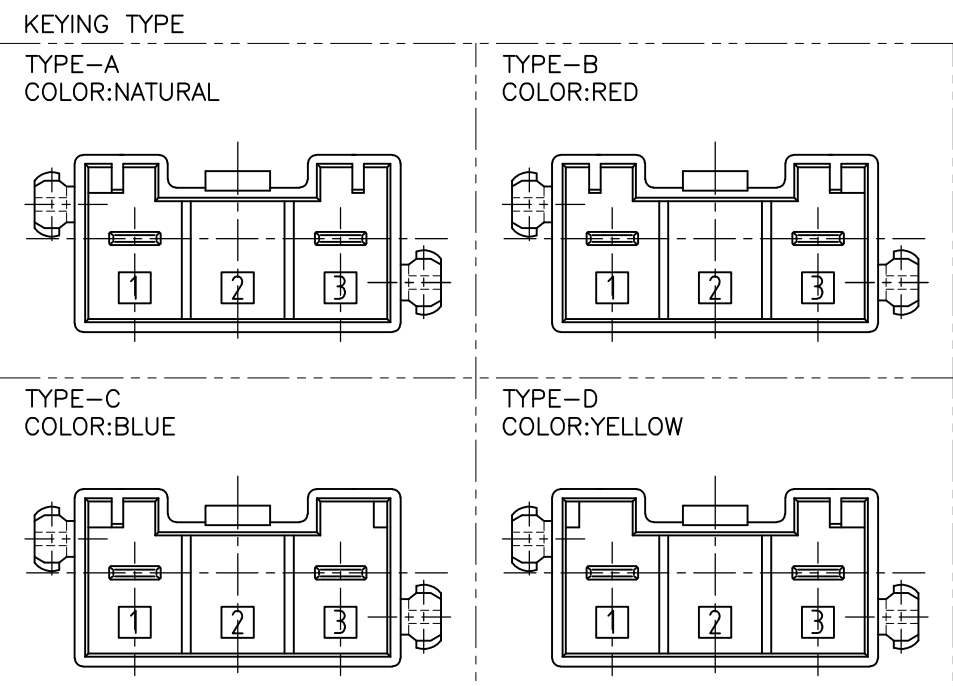
NOTES)
 △MATING CONN. P/N
 PLUG HOUSING : SEE TABLE
 REC CONTACT : 1746971-1
 : 1746972-1
 △AN UNEVEN COLORING MIGHT COME OUT.



NO.	名称(NAME)	材料(MATERIAL)
②	ヘッダーハウジング (HEADER HOUSING)	6/6ナイロンガラス強化 (6/6 NYLON GRASS FILLED)
①	タブ(TAB)	錫めっき済み銅合金 (COPPER ALLOY TIN PLATED)

SECT A-A

SECT D-D



THIS DRAWING IS A CONTROLLED DOCUMENT.

DIMENSIONS: 単位: 耗 mm	TOLERANCES UNLESS OTHERWISE SPECIFIED: 一般公差
0 PLC ± 0.3	1 PLC ± 0.3
2 PLC ± 0.3	3 PLC ± 0.2
4 PLC ± 0.2	ANGLES ± 3
MATERIAL 材料	FINISH 仕上

DWN	A.OISHI	7DEC2004
CHK	N.YAMASAKI	7DEC2004
APVD	S.MANABE	7DEC2004
PRODUCT SPEC	製品規格	108-78232
APPLICATION SPEC	取付適用規格	—
WEIGHT	—	—

Tyco Electronics		Tyco Electronics AMP K.K. Kawasaki, Japan	
NAME 名称 GRACE HI CURRENT CONNECTOR(GHC) EYELET 12.4 MM PITCH 2POS HEADER ASSY			
SIZE	CAGE CODE	DRAWING NO 番号	RESTRICTED TO
A3	00779	G-1747996	—
CUSTOMER DRAWING		SCALE 尺度	SHEET 1 OF 1
		3:1	REV B1

1747995-4	TYPE D	△ YELLOW	1747996-4
1747995-3	TYPE C	△ BLUE	1747996-3
1747995-2	TYPE B	△ RED	1747996-2
1747995-1	TYPE A	NATURAL	1747996-1
△ MATING CONN. P/N	KEYING TYPE	COLOR	PART NUMBER

Mouser Electronics

Authorized Distributor

Click to View Pricing, Inventory, Delivery & Lifecycle Information:

[TE Connectivity:](#)

[1747996-1](#)