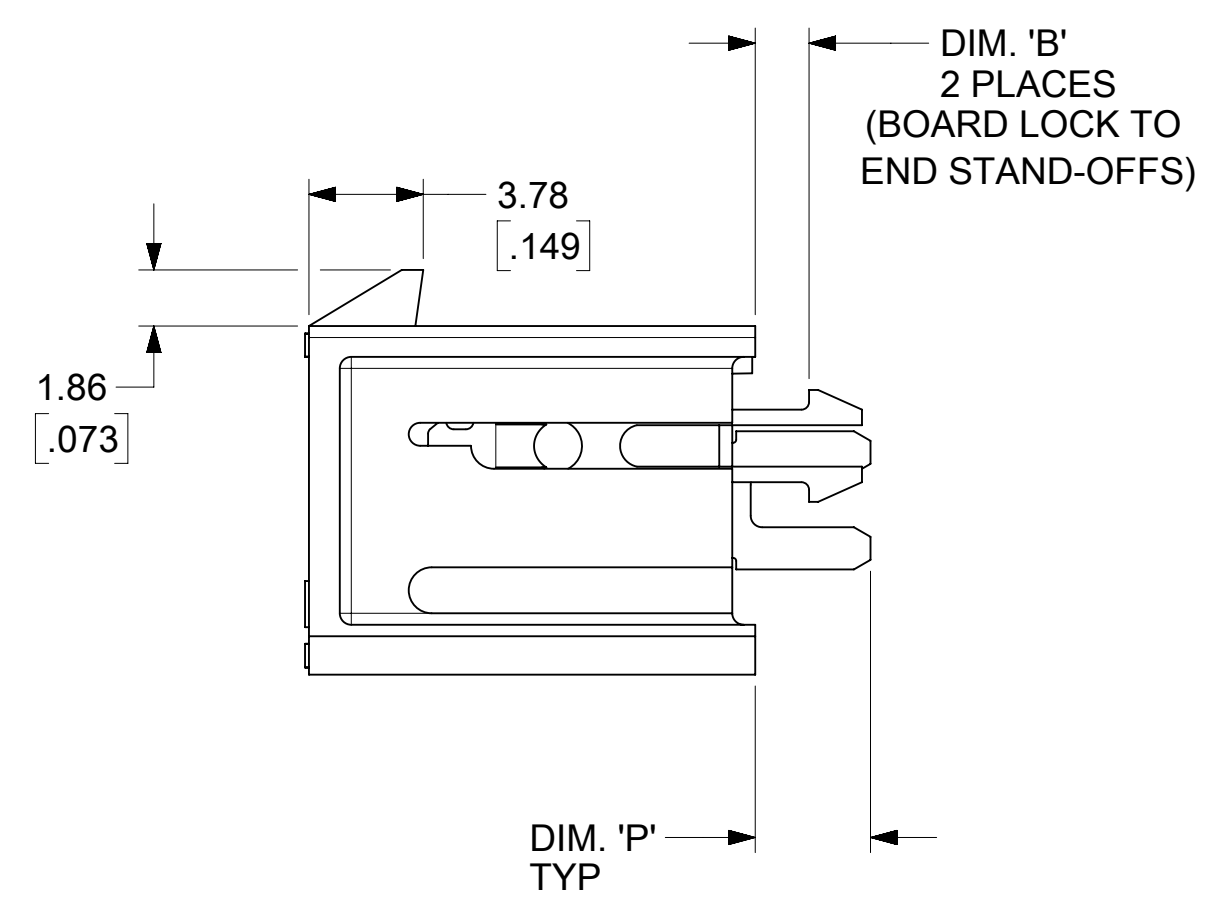
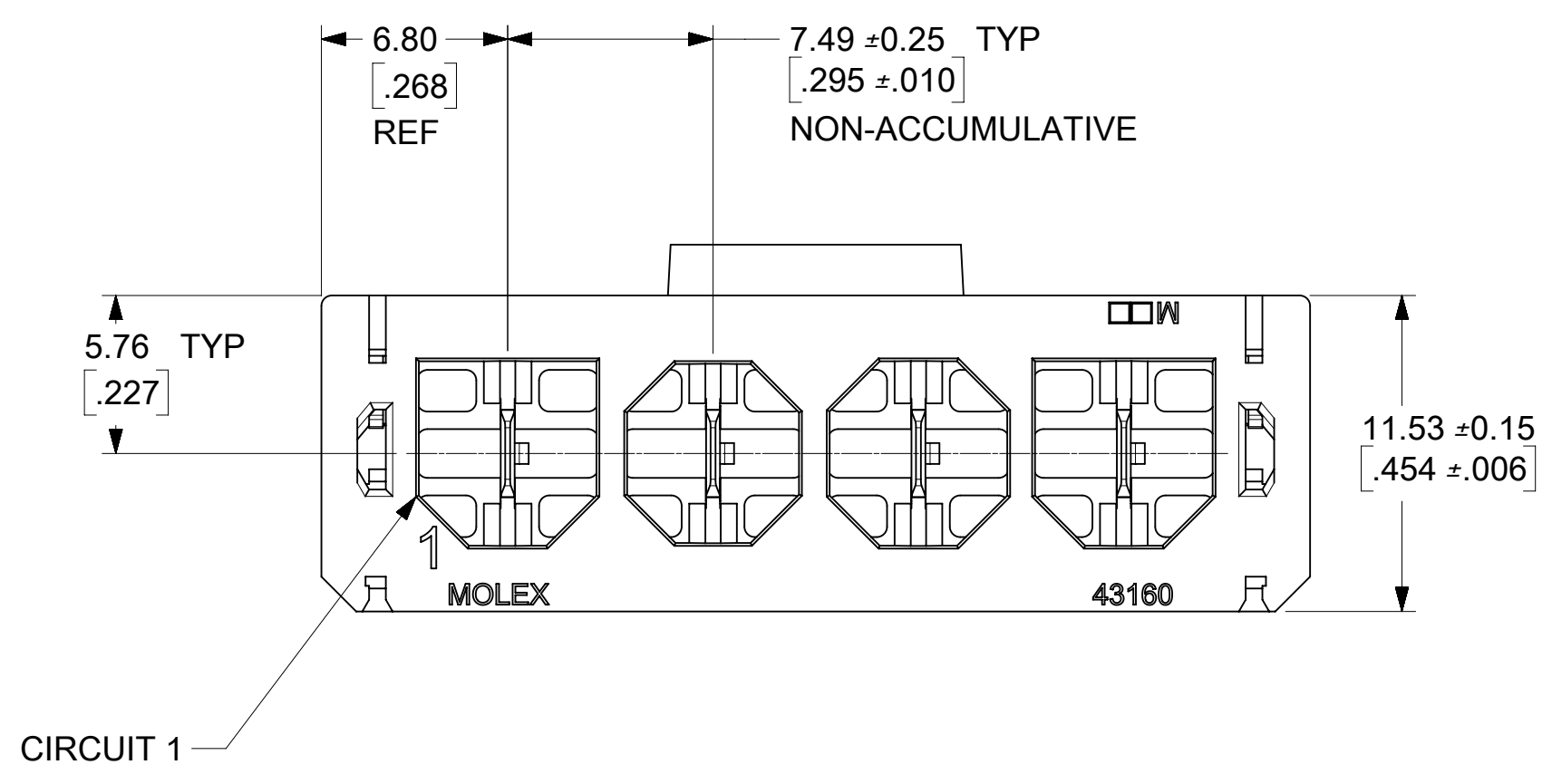
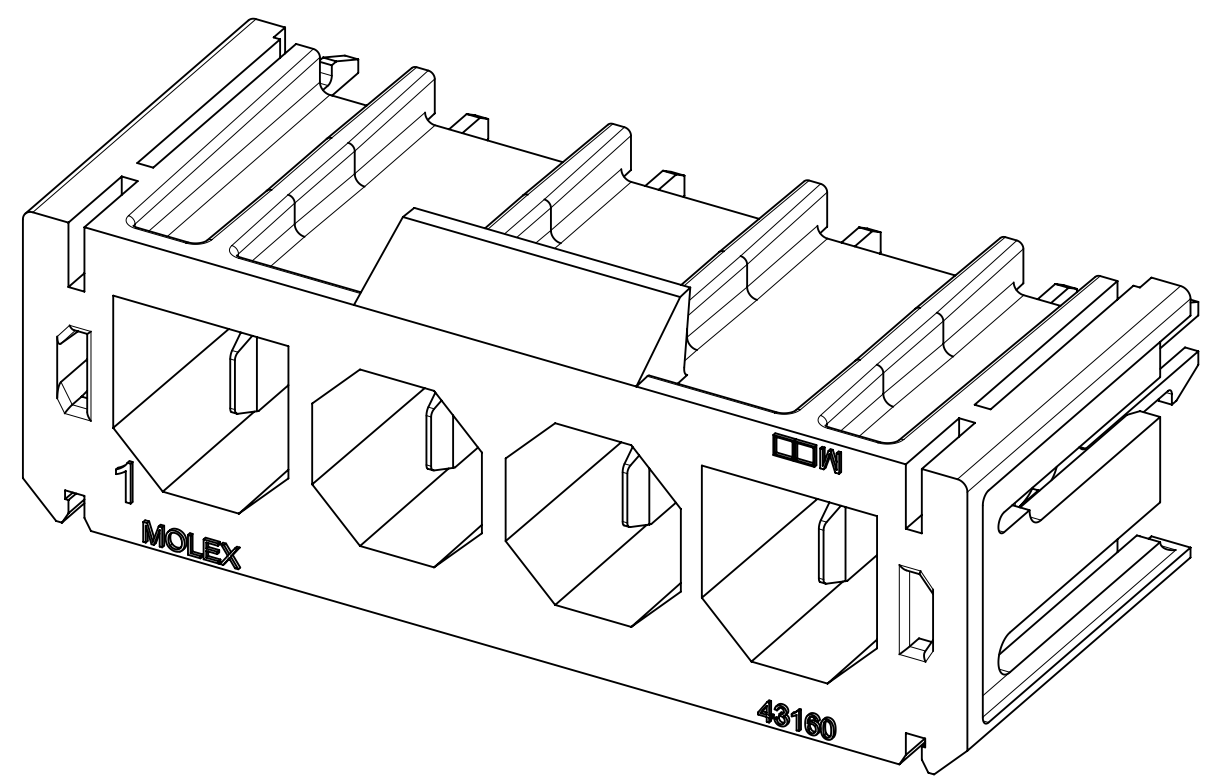
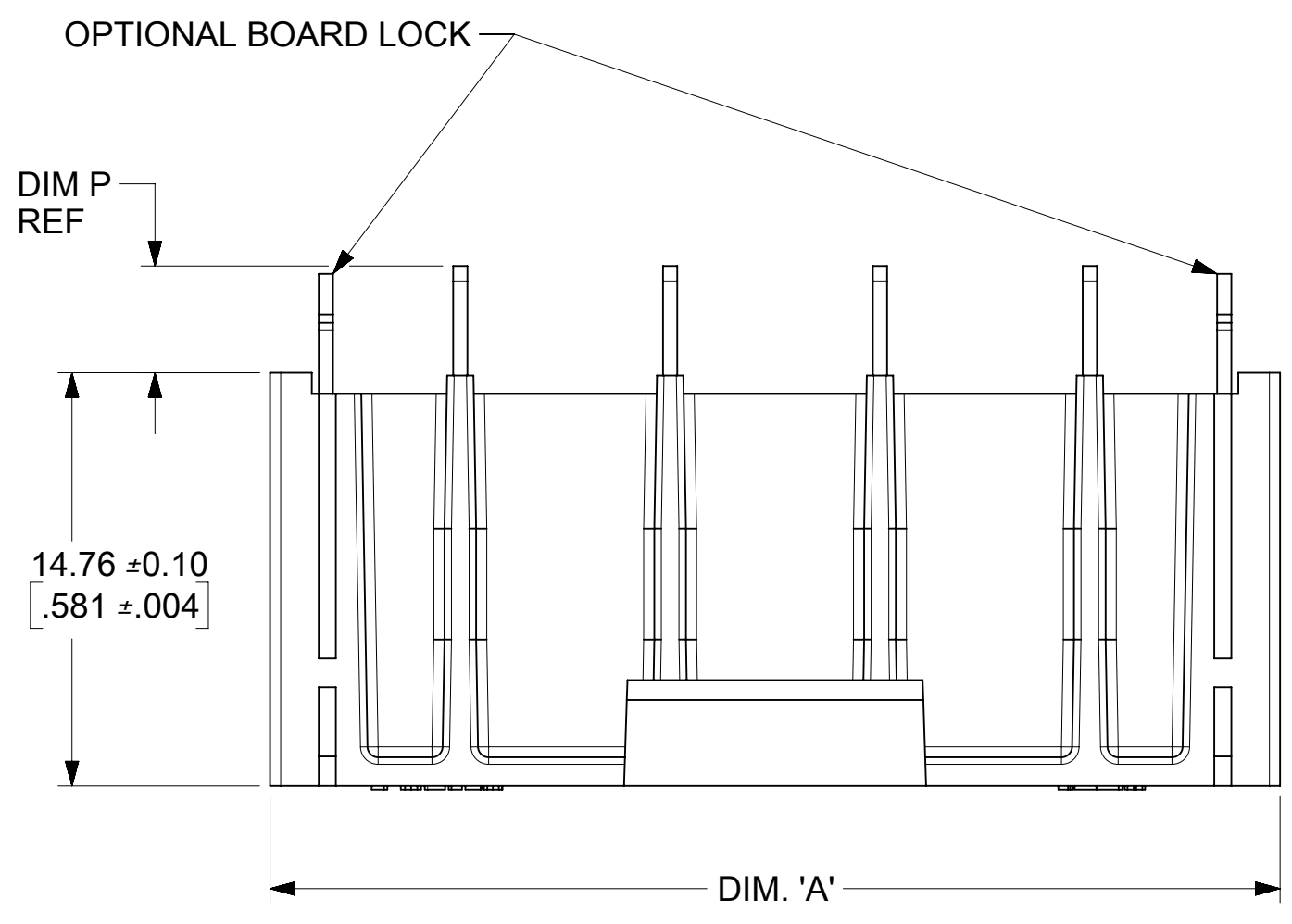


CIRCUITS	DIM. 'A' ±	0.33 .013
2	21.08	.830
3	28.58	1.125
4	36.07	1.420
5	43.56	1.715
6	51.05	2.010
8	66.04	2.600



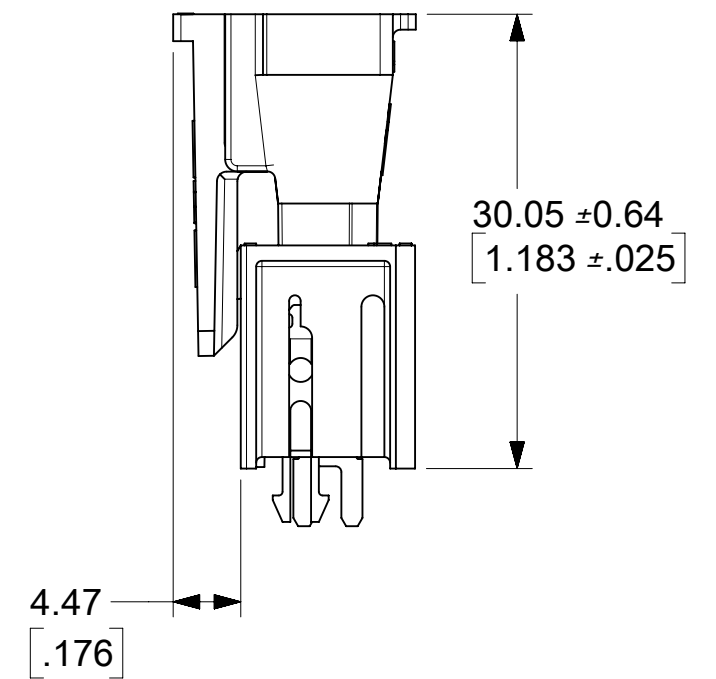
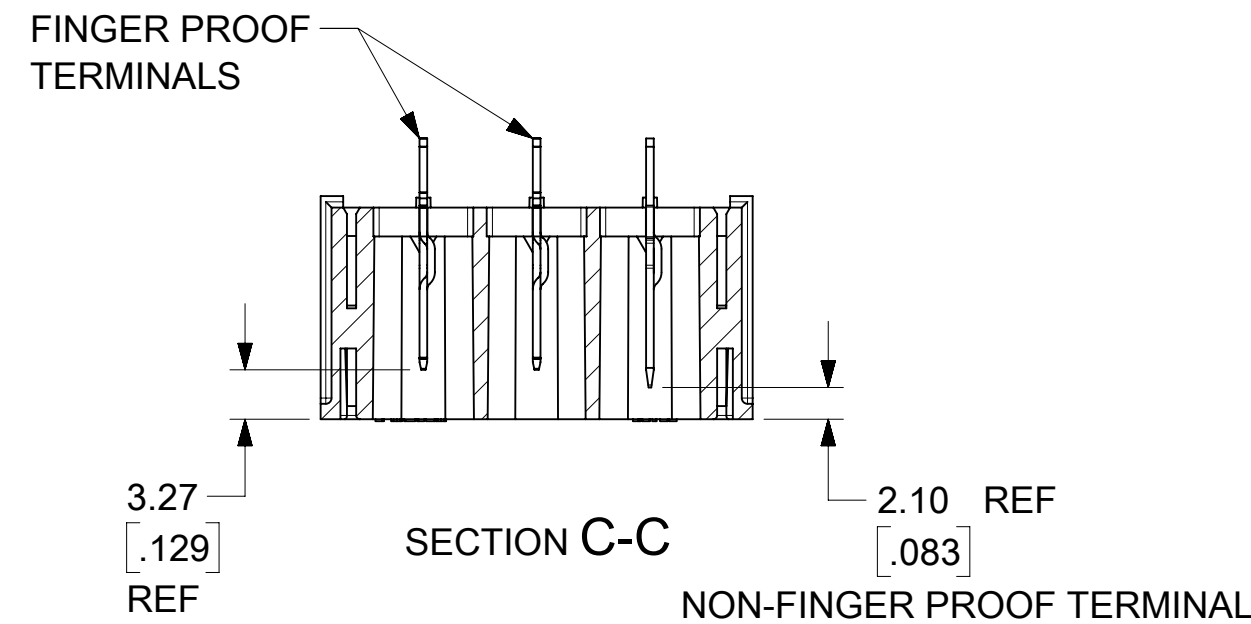
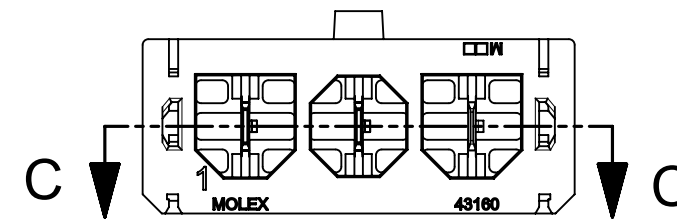
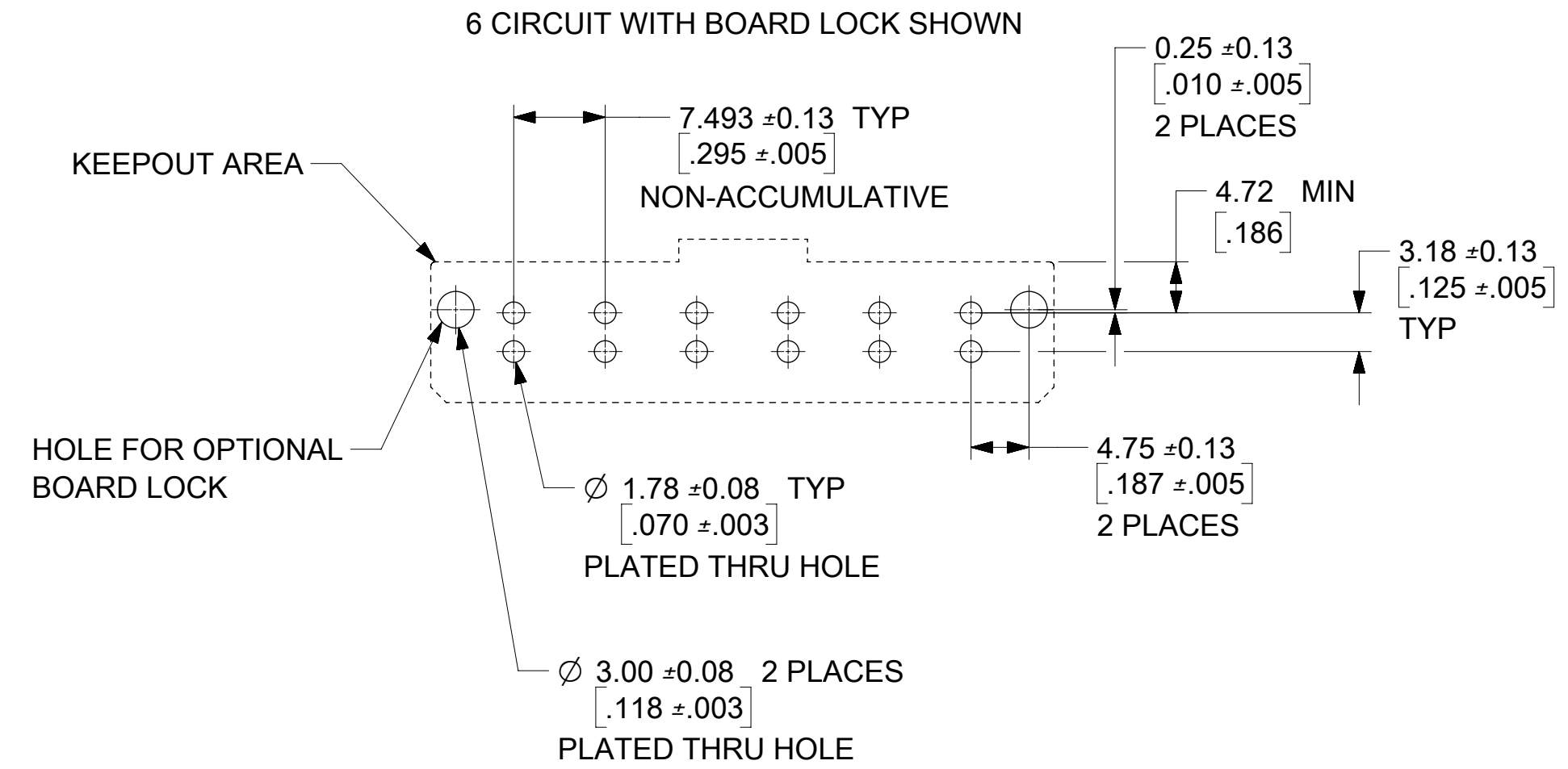
SHEETS 1 AND 2: VERTICAL HEADERS
 SHEETS 3 AND 4: RIGHT ANGLE HEADERS
 SHEET 5: POLARIZATION

- INSULATOR MATERIAL: 30% GLASS FILLED 4/6 NYLON UL94V-0, COLOR: BLACK
 TERMINAL MATERIAL : BRASS
- TERMINAL FINISH: OVERALL REFLOWED MATTE TIN: 0.00152/.000060 MIN OVER 0.00127/.000050 MIN NICKEL.
- PRODUCT SPECIFICATION PS-44441-9999.
- PACKAGING: SEE CHART
- THIS HEADER MATES WITH 44441 OR 43335 SERIES RECEPTACLE HOUSINGS.
- THIS PART CONFORMS TO CLASS B REQUIREMENTS OF MOLEX COSMETIC SPECIFICATION PS-45499-002
- TEXT ON PART IS FOR REFERENCE ONLY. TEXT AND TEXT LOCATION MAY VARY DEPENDING ON PART NUMBER AND/OR TOOL.
- PART DESIGNED IN INCHES.

SYMBOLS		THIS DRAWING CONTAINS INFORMATION THAT IS PROPRIETARY TO MOLEX ELECTRONIC TECHNOLOGIES, LLC AND SHOULD NOT BE USED WITHOUT WRITTEN PERMISSION		CURRENT REV DESC: RELEASED	
▽ = 0	IN/MM	SCALE		4:1	
▽ = 0	GENERAL TOLERANCES (UNLESS SPECIFIED)		EC NO: 623888		
▽ = 0		MM	INCH	DRWN: MKIPPER	2019/09/06
▽ = 0	4 PLACES ±	±	±	CHK'D: DSTEIER	2019/09/13
▽ = 0	3 PLACES ±	± 0.005		APPR: FSMITH	2019/09/17
▽ = 0	2 PLACES ±	± 0.13	± 0.01	INITIAL REVISION:	
▽ = 0	1 PLACE ±	± 0.25	±	DRWN: MKIPPER	2019/09/06
▽ = 0	0 PLACES ±	±	±	APPR: FSMITH	2019/09/17
▽ = 0	ANGULAR TOL	± 0.5 °		THIRD ANGLE PROJECTION	
▽ = 0	DRAFT WHERE APPLICABLE MUST REMAIN WITHIN DIMENSIONS		DRAWING		SERIES
				C-SIZE	43160
DOCUMENT STATUS		P1	RELEASE DATE	2019/09/17	14:17:52
THIS DRAWING REPLACES SDA-43160-****					
DOCUMENT NUMBER		DOC TYPE		DOC PART	REVISION
431600001-SD		PSD		000	A
MATERIAL NUMBER		CUSTOMER		SHEET NUMBER	
SEE CHARTS		GENERAL MARKET		1 OF 5	

VERTICAL HEADER ASSEMBLIES					
ASSEMBLY PART NO.	CIRCUITS	DIM. 'P' ± $\frac{0.51}{.020}$	BOARD LOCK	DIM. 'B' ± $\frac{0.10}{.004}$	PACKAGING SPEC.
43160-0102	2	3.81/(.150) (SHORT TAIL)	NO	N/A	PK-43160-0010
43160-0103	3				
43160-0104	4				
43160-0105	5				
43160-0106	6				
43160-0108	8				
43160-0302	2	5.33/(.210) (LONG TAIL)	NO	N/A	PK-43789-001
43160-0303	3				
43160-0304	4				
43160-0305	5				
43160-0306	6				
43160-0308	8				
43160-2102	2	3.81/(.150) (SHORT TAIL)	YES	1.78/(.070) FOR 1.57/(.062) PCB	PK-43789-001
43160-2103	3				
43160-2104	4				
43160-2105	5				
43160-2106	6				
43160-2108	8				
43160-4102	2	3.81/(.150) (SHORT TAIL)	YES	2.59/(.102) FOR 2.39/(.094) PCB	PK-43789-001
43160-4103	3				
43160-4104	4				
43160-4105	5				
43160-4106	6				
43160-4108	8				
43160-4302	2	5.33/(.210) (LONG TAIL)	YES	2.59/(.102) FOR 2.39/(.094) PCB	PK-43789-001
43160-4303	3				
43160-4304	4				
43160-4305	5				
43160-4306	6				
43160-4308	8				
43160-6302	2	5.33/(.210) (LONG TAIL)	YES	3.38/(.133) FOR 3.18/(.125) PCB	PK-43789-001
43160-6303	3				
43160-6304	4				
43160-6305	5				
43160-6306	6				
43160-6308	8				
ASSEMBLY PART NO.	CIRCUITS	DIM. 'P'	BOARD LOCK	DIM. 'B'	PACKAGING SPEC.

RECOMMENDED P.C. BOARD LAYOUT FOR VERTICAL HEADERS



HEADER WITH OPTIONAL FINGER PROOF TERMINAL
43160-9002 SHOWN

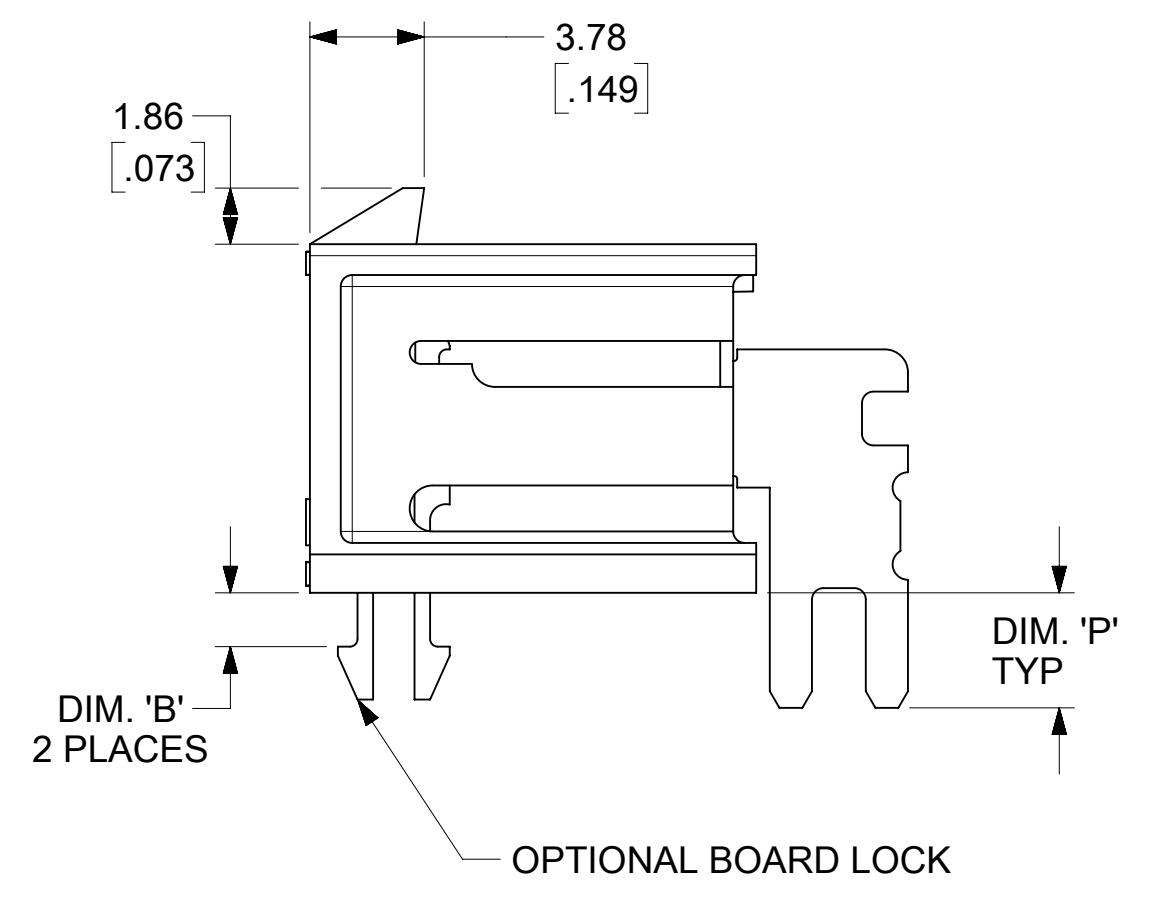
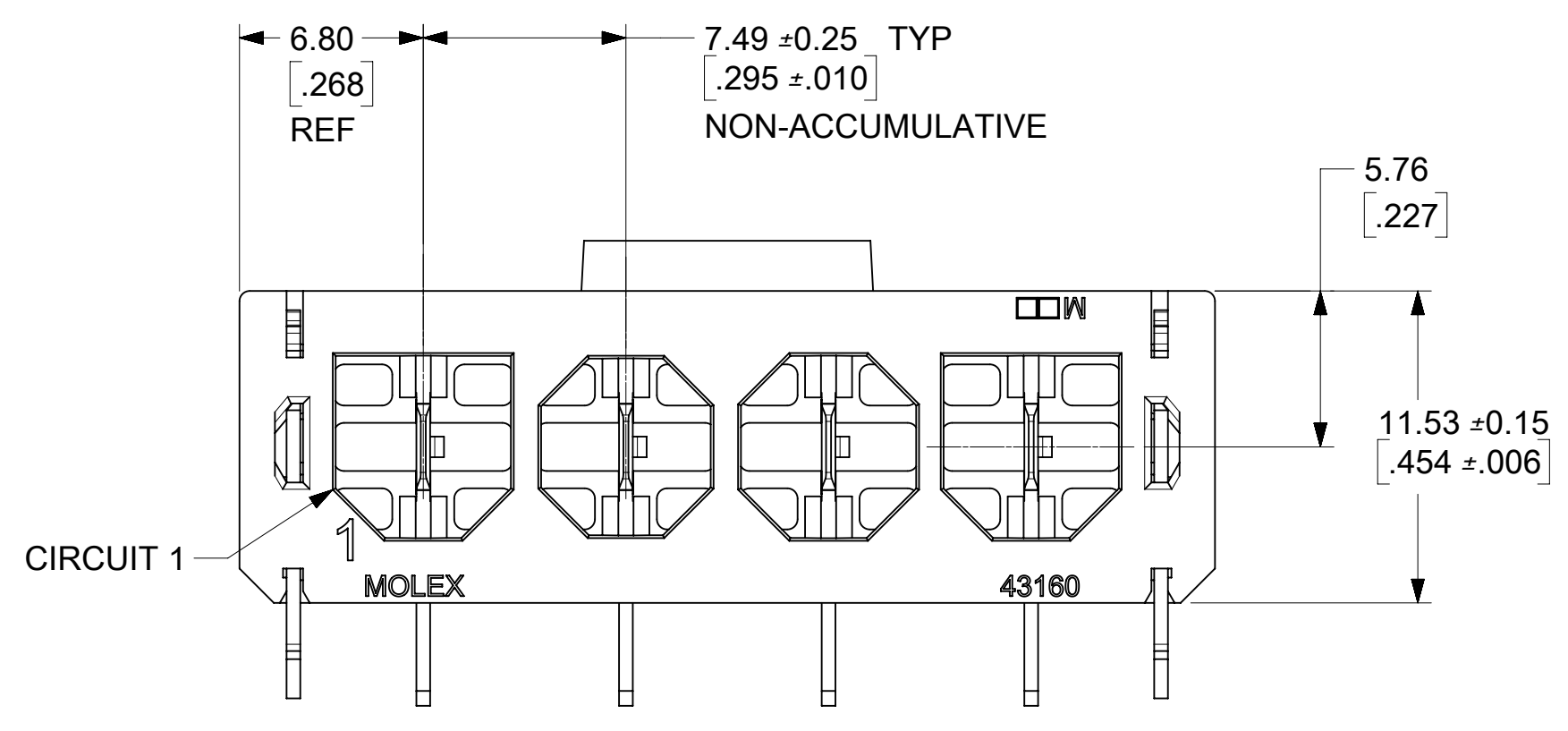
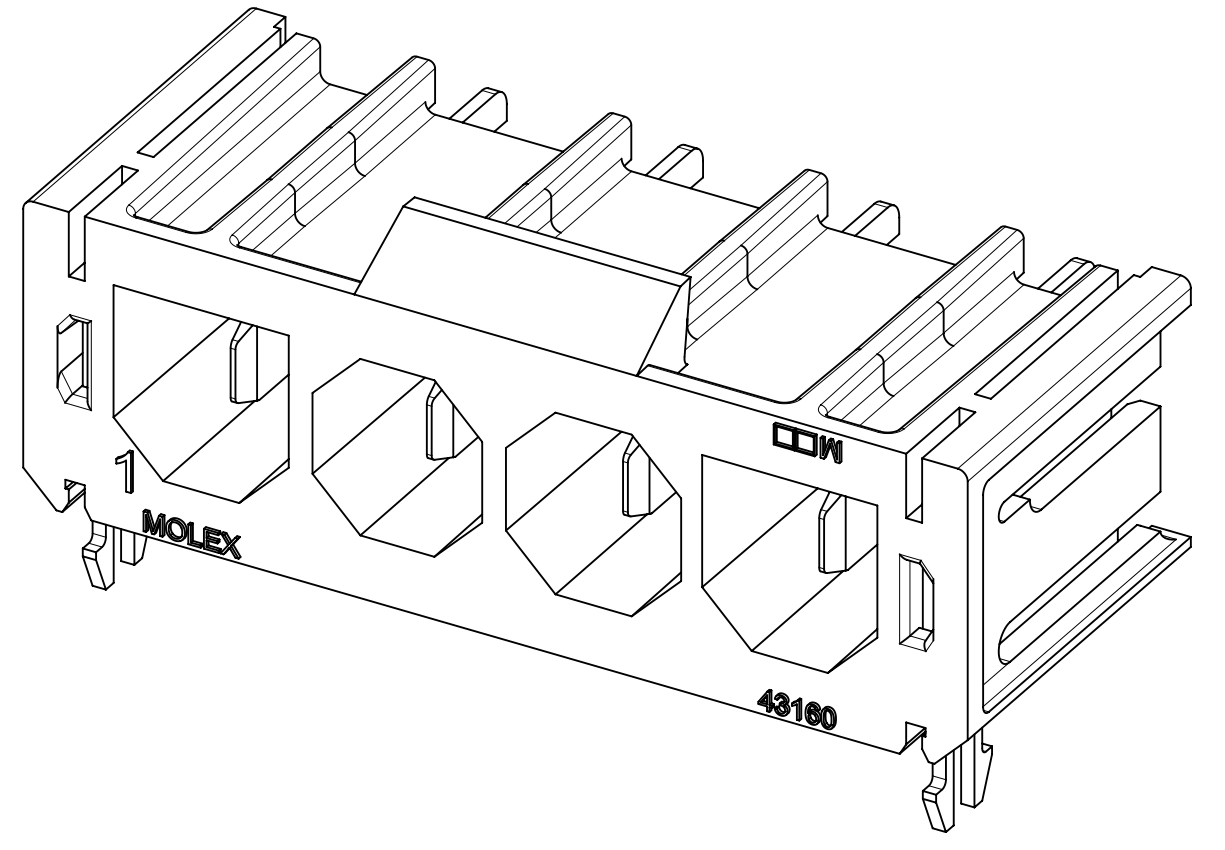
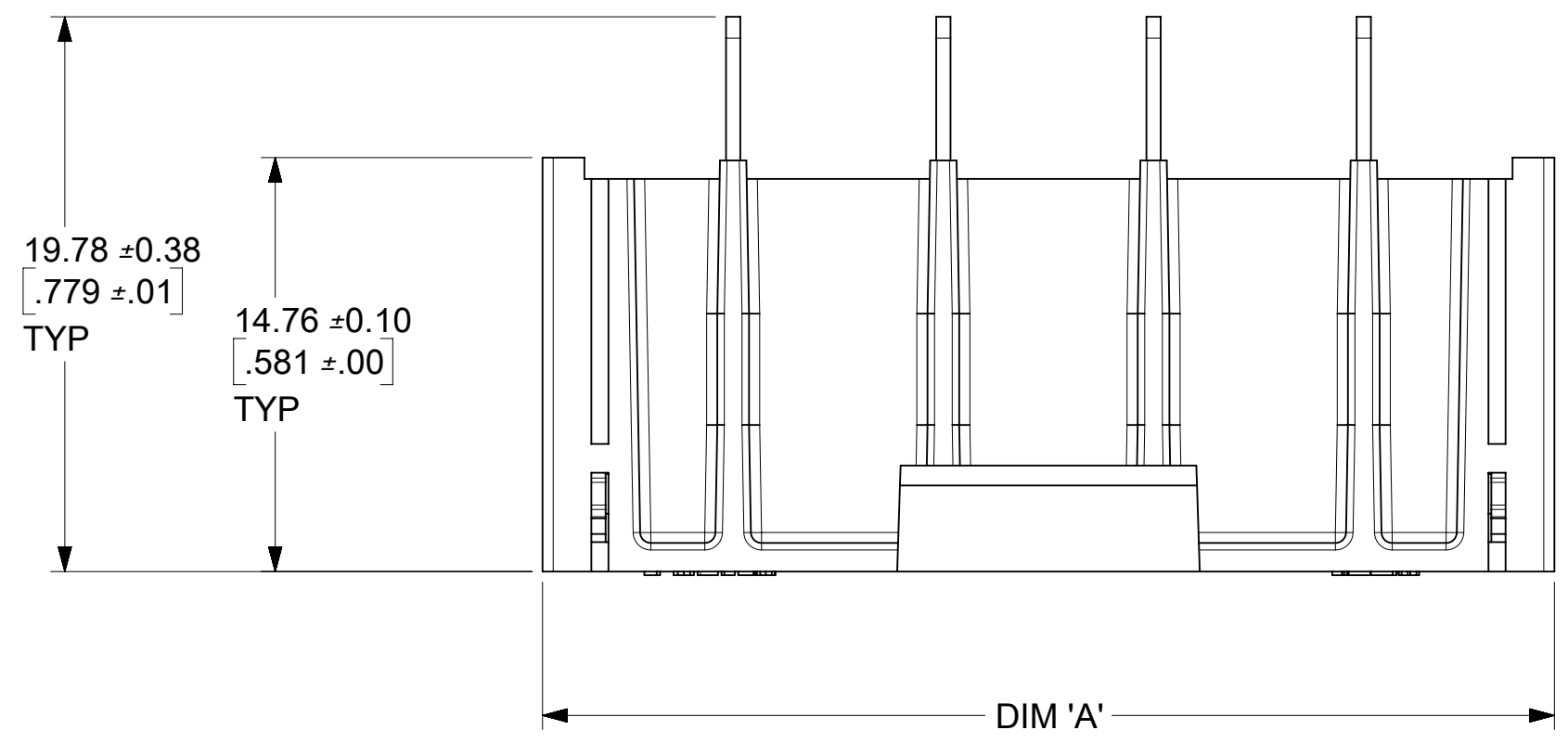
MATED DIMENSIONS VERTICAL HEADERS

FINGER PROOF VERTICAL HEADER ASSEMBLIES

ASSEMBLY PART NO.	CIRCUITS	FINGER PROOF TERMINAL CIRCUIT(S)	DIM. 'P' ± $\frac{0.51}{.020}$	BOARD LOCK	DIM. 'B' ± $\frac{0.10}{.004}$	PACKAGING SPEC.
43160-9002	3	1, 2	3.81/(.150) (SHORT TAIL)	NO	N/A	PK-43160-0010

SYMBOLS		THIS DRAWING CONTAINS INFORMATION THAT IS PROPRIETARY TO MOLEX ELECTRONIC TECHNOLOGIES, LLC AND SHOULD NOT BE USED WITHOUT WRITTEN PERMISSION		CURRENT REV/DESC: RELEASED	
▽ = 0	IN/MM	SCALE	2:1	GENERAL TOLERANCES (UNLESS SPECIFIED)	
▽ = 0	MM	INCH	±	EC NO: 623888	
▽ = 0	4 PLACES	±	±	DRWN: MKIPPER 2019/09/06	
▽ = 0	3 PLACES	±	± 0.005	CHK'D: DSTEIER 2019/09/13	
▽ = 0	2 PLACES	±	± 0.13	APPR: FSMITH 2019/09/17	
▽ = 0	1 PLACE	±	± 0.25	INITIAL REVISION:	
▽ = 0	0 PLACES	±	±	DRWN: MKIPPER 2019/09/06	
▽ = 0	ANGULAR TOL	±	± 0.5°	APPR: FSMITH 2019/09/17	
▽ = 0	DRAFT WHERE APPLICABLE MUST REMAIN WITHIN DIMENSIONS	THIRD ANGLE PROJECTION	DRAWING	SERIES	DOCUMENT NUMBER
▽ = 0			C-SIZE	43160	431600001-SD
DOCUMENT STATUS		P1	RELEASE DATE	2019/09/17 14:17:52	DOC TYPE
					PSD
					DOC PART
					000
					REVISION
					A
MATERIAL NUMBER		CUSTOMER		SHEET NUMBER	
SEE CHARTS		GENERAL MARKET		2 OF 5	

CIRCUITS	DIM. 'A' ±	0.33 .013
2	21.08 .830	
3	28.58 1.125	
4	36.07 1.420	
5	43.56 1.715	
6	51.05 2.010	
8	66.04 2.600	

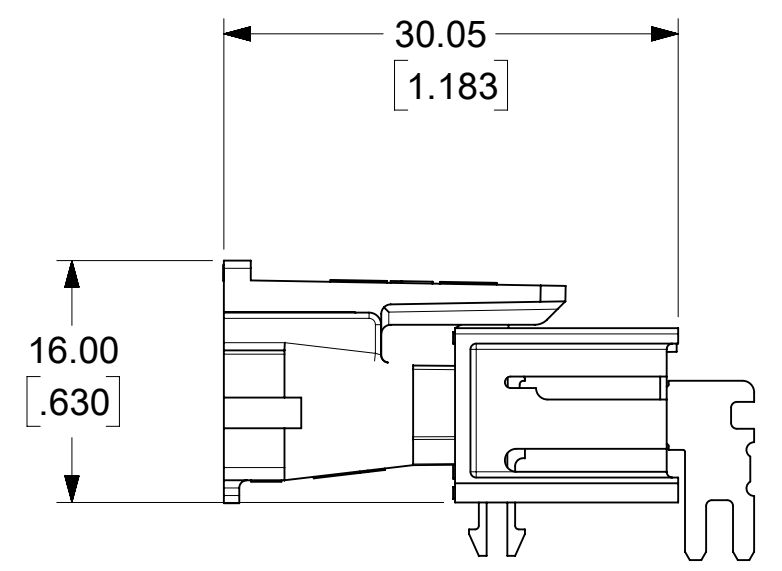
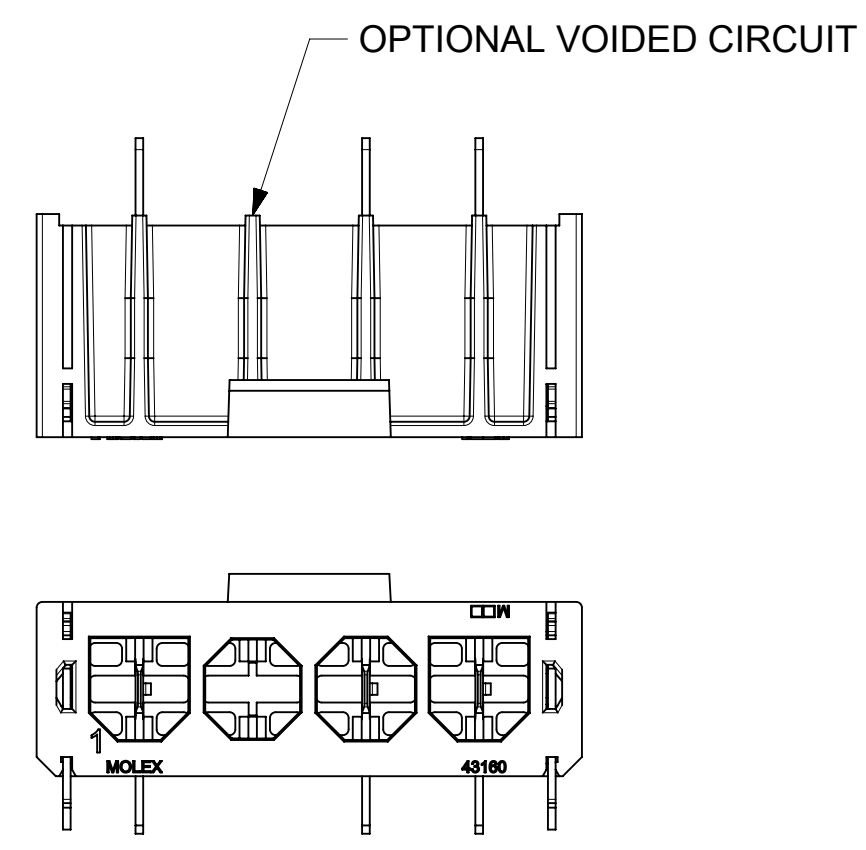
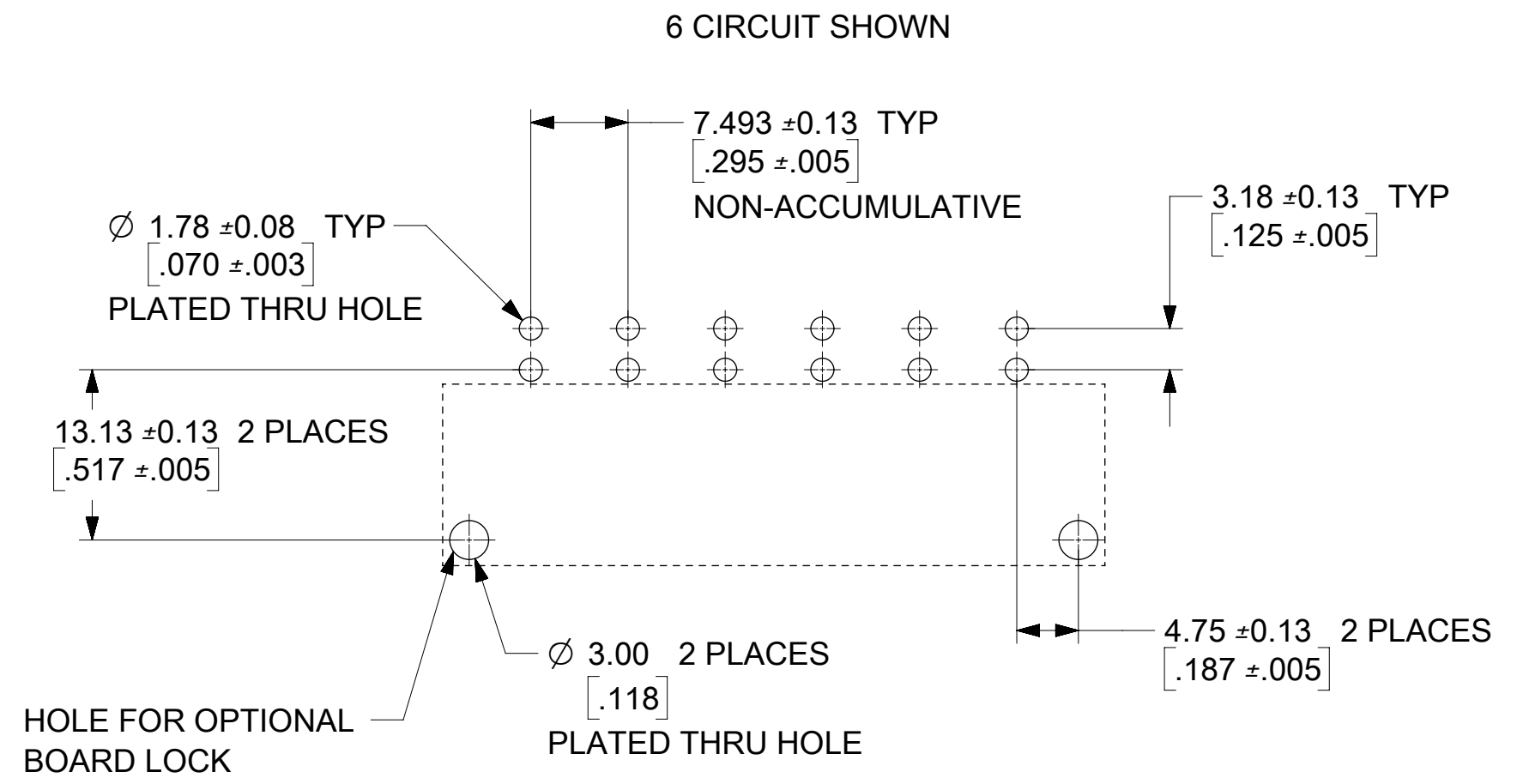


SYMBOLS										THIS DRAWING CONTAINS INFORMATION THAT IS PROPRIETARY TO MOLEX ELECTRONIC TECHNOLOGIES, LLC AND SHOULD NOT BE USED WITHOUT WRITTEN PERMISSION													
∇ = 0	∇ = 0	∇ = 0	∇ = 0	∇ = 0	∇ = 0	∇ = 0	∇ = 0	∇ = 0	∇ = 0	IN/MM	SCALE	CURRENT REV DESC: RELEASED											
∇ = 0	∇ = 0	∇ = 0	∇ = 0	∇ = 0	∇ = 0	∇ = 0	∇ = 0	∇ = 0	∇ = 0	4:1		GENERAL TOLERANCES (UNLESS SPECIFIED)											
∇ = 0	∇ = 0	∇ = 0	∇ = 0	∇ = 0	∇ = 0	∇ = 0	∇ = 0	∇ = 0	∇ = 0	MM	INCH	EC NO: 623888											
∇ = 0	∇ = 0	∇ = 0	∇ = 0	∇ = 0	∇ = 0	∇ = 0	∇ = 0	∇ = 0	∇ = 0	4 PLACES ±	±	DRWN: MKIPPER 2019/09/06											
∇ = 0	∇ = 0	∇ = 0	∇ = 0	∇ = 0	∇ = 0	∇ = 0	∇ = 0	∇ = 0	∇ = 0	3 PLACES ±	± 0.005	CHK'D: DSTEIER 2019/09/13											
∇ = 0	∇ = 0	∇ = 0	∇ = 0	∇ = 0	∇ = 0	∇ = 0	∇ = 0	∇ = 0	∇ = 0	2 PLACES ±	0.13 ± 0.01	APPR: FSMITH 2019/09/17											
∇ = 0	∇ = 0	∇ = 0	∇ = 0	∇ = 0	∇ = 0	∇ = 0	∇ = 0	∇ = 0	∇ = 0	1 PLACE ±	0.25 ±	INITIAL REVISION:											
∇ = 0	∇ = 0	∇ = 0	∇ = 0	∇ = 0	∇ = 0	∇ = 0	∇ = 0	∇ = 0	∇ = 0	0 PLACES ±	±	DRWN: MKIPPER 2019/09/06											
∇ = 0	∇ = 0	∇ = 0	∇ = 0	∇ = 0	∇ = 0	∇ = 0	∇ = 0	∇ = 0	∇ = 0	ANGULAR TOL	± 0.5 °	APPR: FSMITH 2019/09/17											
∇ = 0	∇ = 0	∇ = 0	∇ = 0	∇ = 0	∇ = 0	∇ = 0	∇ = 0	∇ = 0	∇ = 0	DRAFT WHERE APPLICABLE MUST REMAIN WITHIN DIMENSIONS		THIRD ANGLE PROJECTION		DRAWING		SERIES		MATERIAL NUMBER		CUSTOMER		SHEET NUMBER	
∇ = 0	∇ = 0	∇ = 0	∇ = 0	∇ = 0	∇ = 0	∇ = 0	∇ = 0	∇ = 0	∇ = 0	∇ = 0	∇ = 0	C-SIZE	43160	SEE CHARTS	GENERAL MARKET	3 OF 5							

DOCUMENT STATUS	P1	RELEASE DATE	2019/09/17 14:17:52
-----------------	----	--------------	---------------------

RIGHT ANGLE HEADER ASSEMBLIES					
ASSEMBLY PART NO.	CIRCUITS	DIM. 'P' ± $\frac{0.28}{.011}$	BOARD LOCK	DIM. 'B' ± $\frac{0.10}{.004}$	PACKAGING SPEC.
43160-1102	2	3.81/(.150) (SHORT TAIL)	NO	N/A	PK-43160-0010
43160-1103	3				
43160-1104	4				
43160-1105	5				
43160-1106	6				
43160-1108	8				
43160-1302	2	5.33/(.210) (LONG TAIL)	NO	N/A	PK-43789-001
43160-1303	3				
43160-1304	4				
43160-1305	5				
43160-1306	6				
43160-1308	8				
43160-3102	2	3.81/(.150) (SHORT TAIL)	YES	1.78/(.070) FOR 1.57/(.062) PCB	PK-43789-001
43160-3103	3				
43160-3104	4				
43160-3105	5				
43160-3106	6				
43160-3108	8				
43160-5102	2	3.81/(.150) (SHORT TAIL)	YES	2.59/(.102) FOR 2.39/(.094) PCB	PK-43789-001
43160-5103	3				
43160-5104	4				
43160-5105	5				
43160-5106	6				
43160-5108	8				
43160-5302	2	5.33/(.210) (LONG TAIL)	YES	2.59/(.102) FOR 2.39/(.094) PCB	PK-43789-001
43160-5303	3				
43160-5304	4				
43160-5305	5				
43160-5306	6				
43160-5308	8				
43160-7302	2	5.33/(.210) (LONG TAIL)	YES	3.38/(.133) FOR 3.18/(.125) PCB	PK-43789-001
43160-7303	3				
43160-7304	4				
43160-7305	5				
43160-7306	6				
43160-7308	8				
ASSEMBLY PART NO.	CIRCUITS	DIM. 'P'	BOARD LOCK	DIM. 'B'	PACKAGING SPEC.

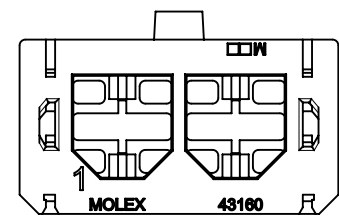
RECOMMENDED P.C. BOARD LAYOUT FOR RIGHT ANGLE HEADERS



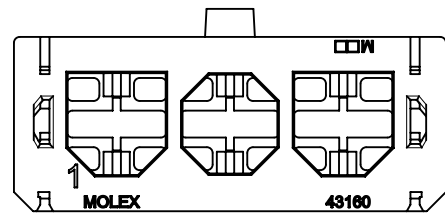
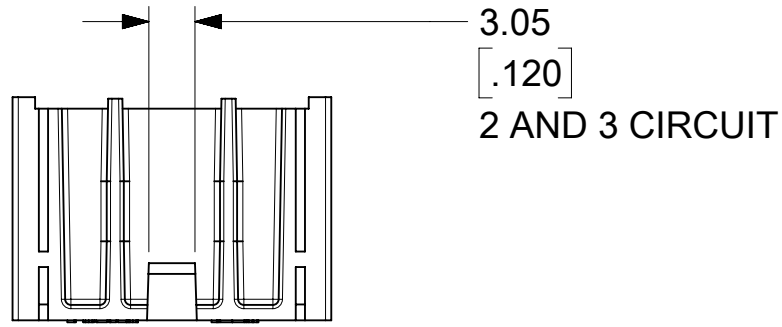
MATED DIMENSIONS RIGHT ANGLE HEADERS

RIGHT ANGLE HEADER ASSEMBLIES WITH VOIDED TERMINALS						
ASSEMBLY PART NO.	CIRCUITS	DIM. 'P' ± $\frac{0.28}{.011}$	BOARD LOCK	DIM. 'B' ± $\frac{0.10}{.004}$	PACKAGING SPEC.	VOID CIRCUIT(S)
43160-9001	4	3.81/(.150)	YES	1.78/(.070) FOR 1.57/(.062) PCB	PK-43789-001	2
43160-9003	5	(SHORT TAIL)				2, 4

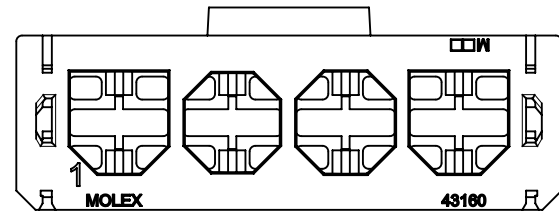
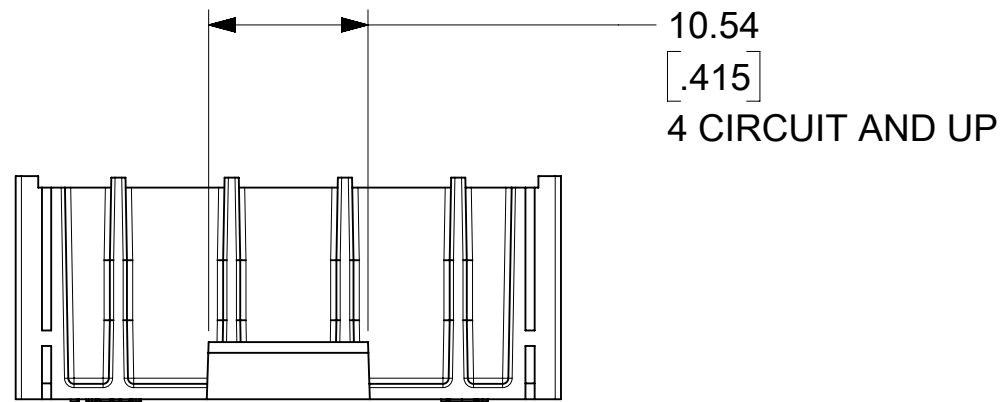
SYMBOLS	THIS DRAWING CONTAINS INFORMATION THAT IS PROPRIETARY TO MOLEX ELECTRONIC TECHNOLOGIES, LLC AND SHOULD NOT BE USED WITHOUT WRITTEN PERMISSION					
	DIMENSION UNITS	SCALE	CURRENT REV/DESC: RELEASED			
▽ = 0	IN/MM	2:1				
▽ = 0	GENERAL TOLERANCES (UNLESS SPECIFIED)					
▽ = 0	MM	INCH	EC NO: 623888	2019/09/06	SABRE HEADER ASSEMBLY	
▽ = 0	4 PLACES ±	±	DRWN: MKIPPER	2019/09/06	2-6 & 8 CIRCUIT .125/(3.18) X .020/(0.51)	
▽ = 0	3 PLACES ±	± 0.005	CHK'D: DSTEIER	2019/09/13	PRODUCT CUSTOMER DRAWING	
▽ = 0	2 PLACES ±	± 0.13 ± 0.01	APPR: FSMITH	2019/09/17	DOCUMENT NUMBER	
▽ = 0	1 PLACE ±	± 0.25 ±	INITIAL REVISION:		DOC TYPE DOC PART REVISION	
▽ = 0	0 PLACES ±	±	DRWN: MKIPPER	2019/09/06	431600001-SD	
▽ = 0	ANGULAR TOL ± 0.5°		APPR: FSMITH	2019/09/17	PSD	000
▽ = 0	DRAFT WHERE APPLICABLE MUST REMAIN WITHIN DIMENSIONS	THIRD ANGLE PROJECTION	DRAWING	SERIES	MATERIAL NUMBER	CUSTOMER
▽ = 0			C-SIZE	43160	SEE CHARTS	GENERAL MARKET
						SHEET NUMBER
						4 OF 5



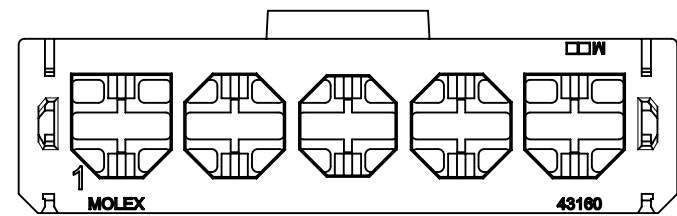
2 CIRCUITS



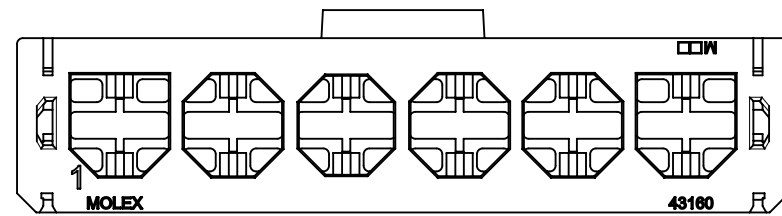
3 CIRCUITS



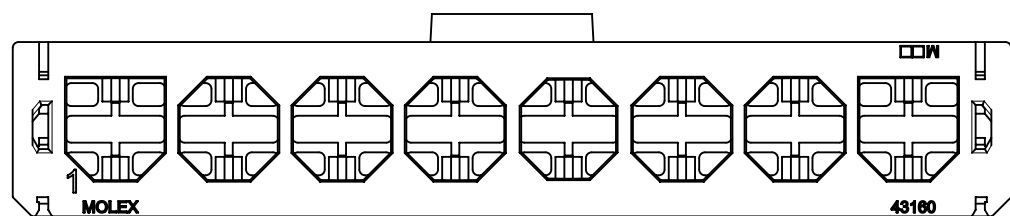
4 CIRCUITS



5 CIRCUITS



6 CIRCUITS



8 CIRCUITS

POLARIZATION

SYMBOLS	THIS DRAWING CONTAINS INFORMATION THAT IS PROPRIETARY TO MOLEX ELECTRONIC TECHNOLOGIES, LLC AND SHOULD NOT BE USED WITHOUT WRITTEN PERMISSION				
	DIMENSION UNITS	SCALE		CURRENT REV DESC: RELEASED	
∇ = 0	MM/INCH	2:1		<p>molex</p> <p>SABRE HEADER ASSEMBLY 2-6 & 8 CIRCUIT .125/(3.18) X .020/(0.51)</p> <p>PRODUCT CUSTOMER DRAWING</p>	
∇ = 0	GENERAL TOLERANCES (UNLESS SPECIFIED)				
∇ = 0		MM	INCH		
∇ = 0	4 PLACES	±	±		
∇ = 0	3 PLACES	±	± 0.005	EC NO: 623888	
∇ = 0	2 PLACES	± 0.13	± 0.01	DRWN: MKIPPER	2019/09/06
∇ = 0	1 PLACE	± 0.25	±	CHK'D: DSTEIER	2019/09/13
∇ = 0	0 PLACES	±	±	APPR: FSMITH	2019/09/17
∇ = 0	ANGULAR TOL	± 0.5 °		INITIAL REVISION:	
∇ = 0	DRAFT WHERE APPLICABLE MUST REMAIN WITHIN DIMENSIONS		THIRD ANGLE PROJECTION	DRWN: MKIPPER	2019/09/06
				APPR: FSMITH	2019/09/17
				DRAWING	SERIES
				C-SIZE	43160
				MATERIAL NUMBER	CUSTOMER
				SEE CHARTS	GENERAL MARKET
				DOCUMENT NUMBER	DOC TYPE DOC PART REVISION
				431600001-SD	PSD 000 A
				SHEET NUMBER	5 OF 5

Mouser Electronics

Authorized Distributor

Click to View Pricing, Inventory, Delivery & Lifecycle Information:

[Molex:](#)

[43160-4106](#)