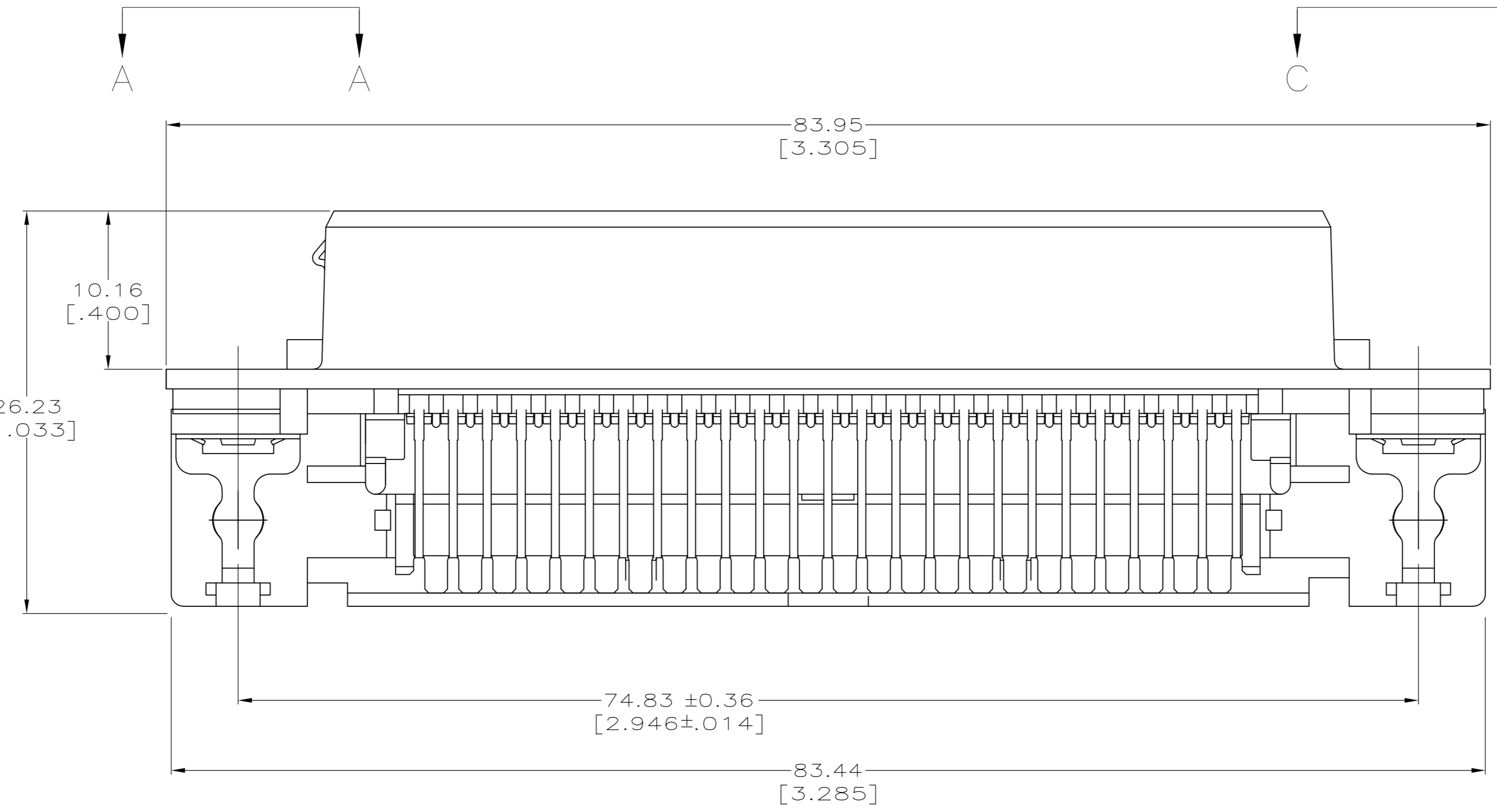
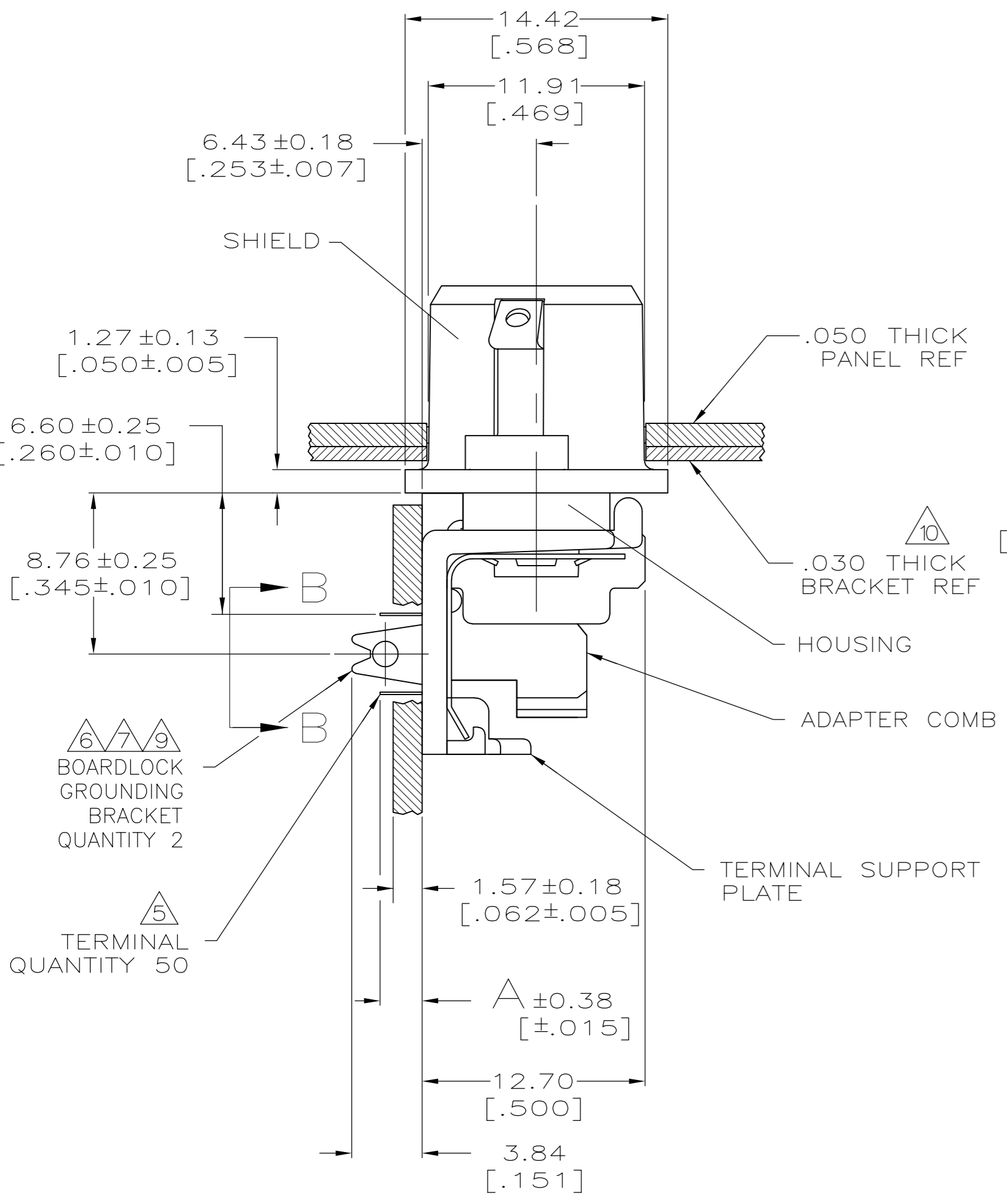
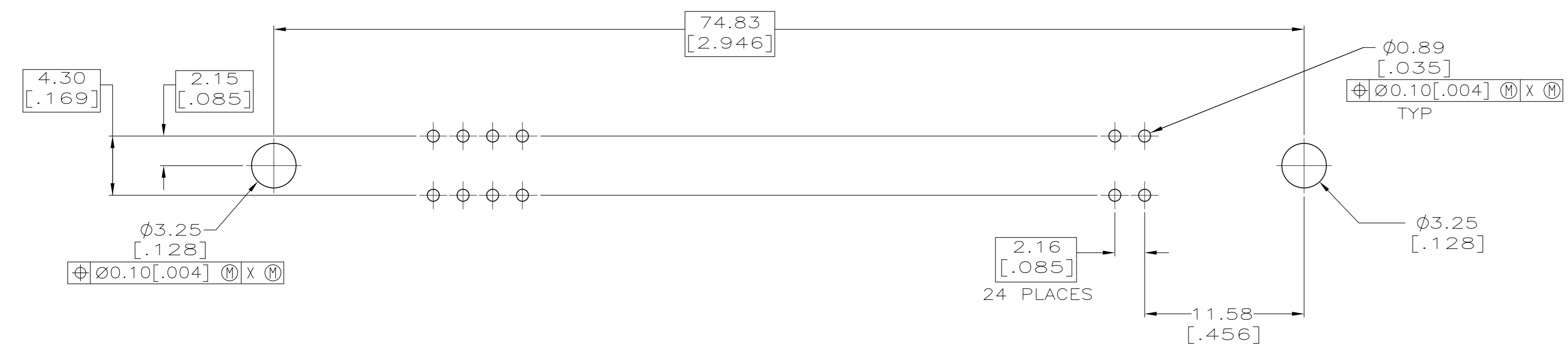


- 1 MATERIAL:
HOUSING, ADAPTER COMB & SUPPORT PLATE - POLYESTER, BLACK. TERMINALS - HIGH STRENGTH COPPER ALLOY PLATED WITH EITHER 0.76µm [.000030] MIN GOLD PLATE OR GOLD FLASH OVER PALLADIUM NICKEL PLATE, 0.76µm [.000030] MIN TOTAL ON MATING SURFACE. 3.05µm [.000120] MIN TIN PLATE ON TAILS. ALL OVER 1.27µm [.000050] MIN NICKEL UNDERPLATE OVER ENTIRE TERMINAL.
SHIELD - BRIGHT NICKEL OVER COPPER PLATED ZINC.
BOARDLOCK GROUND BRACKET - TIN PLATED CARBON STEEL.
2. THE CONTACT SURFACES OF THE TERMINALS ARE COATED WITH LUBRICANT.
3. CENTER-TO-CENTER SPACING OF TERMINALS IS 2.16 [.085] NOMINAL.
- 4 ALL DIMENSIONS SHOWN ARE MAXIMUM UNLESS OTHERWISE SPECIFIED.
- 5 TERMINAL 1 LOCATED IN THIS ROW FOR STANDARD ORIENTATION, SEE VIEW A-A.
- 6 BOARDLOCK GROUNDING BRACKET RETAINS CONNECTOR IN 1.58 [.062] THICK PC BOARD WITHOUT ADDITIONAL HARDWARE.
- 7 BOARDLOCK GROUNDING BRACKET LOCATES CONNECTOR FLUSH WITH TOP OF PC BOARD AND SPRING LOCKS BENEATH.
- 8 CYLINDRICAL SHAPE OFFERS 180° OF SOLDERING SURFACE.
- 9 SURFACE AREA OF BOARDLOCK GROUNDING BRACKET BELOW PC BOARD SHALL PASS SOLDERABILITY REQUIREMENTS IN ACCORDANCE WITH AMP SPEC 109-11-2. DISCOLORATION, SCRATCHES, SPOTS AND OTHER COSMETIC DEFICIENCIES TYPICAL OF BARREL PLATING PROCESSES ARE ACCEPTABLE PROVIDING PARTS PASS 24 HOUR EXPOSURE AT 95% RH AT 40°C WITHOUT EVIDENCE OF CORROSION.
- 10 OPTIONAL BRACKET SUPPLIED BY CUSTOMER.
- 11 TERMINAL 1 LOCATED IN THIS ROW FOR REVERSE ORIENTATION, SEE VIEW C-C.
- 12 OBSOLETE PARTS: OBSOLETE CIS STREAMLINING PER D.RENAUD/D.SINISI

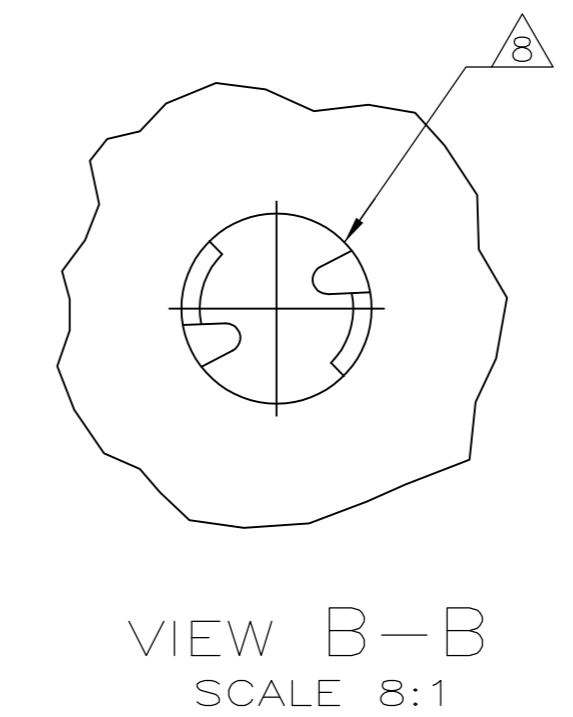
SUGGESTED BRACKET CUTOUT MOUNTING DIMENSIONS SCALE 2:1



6339447-1 AS SHOWN



SUGGESTED PRINTED CIRCUIT BOARD MOUNTING DIMENSIONS



3.175 [.125]	NONE	STANDARD, VIEW A-A	1-6339447-0
3.175 [.125]	1-26	REVERSE, VIEW C-C	6339447-9
2.29 [.090]	NONE	REVERSE, VIEW C-C	6339447-8
2.29 [.090]	NONE	STANDARD, VIEW A-A	6339447-7
2.29 [.090]	25-50	REVERSE, VIEW C-C	6339447-6
2.29 [.090]	25-50	STANDARD, VIEW A-A	6339447-5
2.29 [.090]	1-26/25-50	REVERSE, VIEW C-C	6339447-4
2.29 [.090]	1-26/25-50	STANDARD, VIEW A-A	6339447-3
2.29 [.090]	1-26	REVERSE, VIEW C-C	6339447-2
2.29 [.090]	1-26	STANDARD, VIEW A-A	6339447-1
DIM "A"		LATCH END ORIENTATION	PART NUMBER

THIS DRAWING IS A CONTROLLED DOCUMENT.

DIMENSIONS: mm [INCHES]

TOLERANCES UNLESS OTHERWISE SPECIFIED:

0. PLC	±	4
1. PLC	±	
2. PLC	±	
3. PLC	±	
4. PLC	±	
ANGLES	±	

MATERIAL: 1

FINISH: 1

STE TE Connectivity

RECEPTACLE ASSEMBLY, LOW PROFILE, SHIELDED, RIGHT ANGLE, 50 POSITION, BOARD LOCK, INTEGRAL LOCKING LATCH, CHAMP

SIZE: A1 CAGE CODE: 00779 DRAWING NO: 6339447

WEIGHT: -

CUSTOMER DRAWING

SCALE: 4:1 SHEET: 1 OF 1 REV: C4

Mouser Electronics

Authorized Distributor

Click to View Pricing, Inventory, Delivery & Lifecycle Information:

[TE Connectivity:](#)

[6339447-7](#)