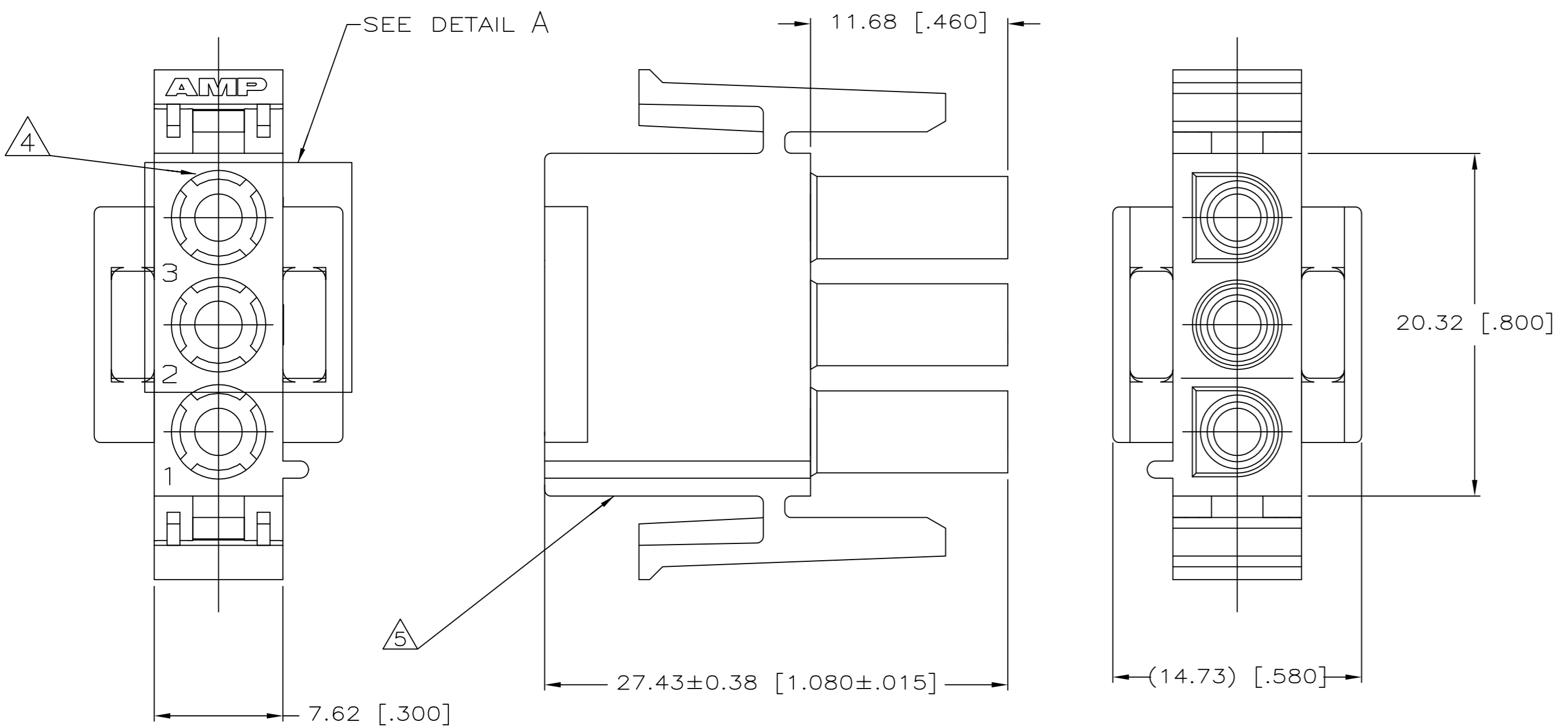
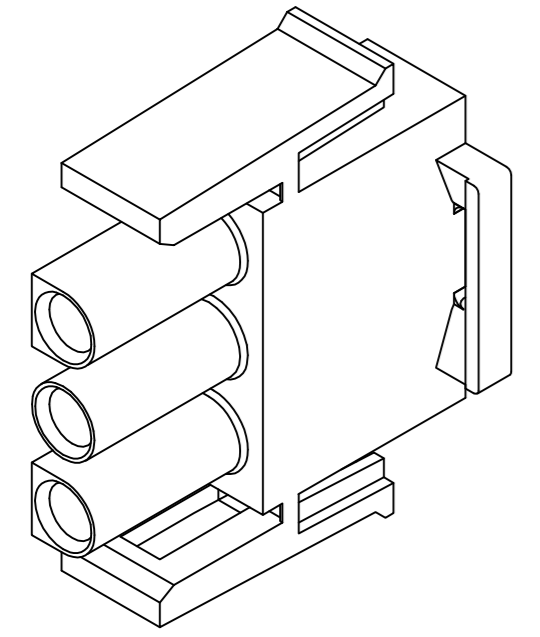
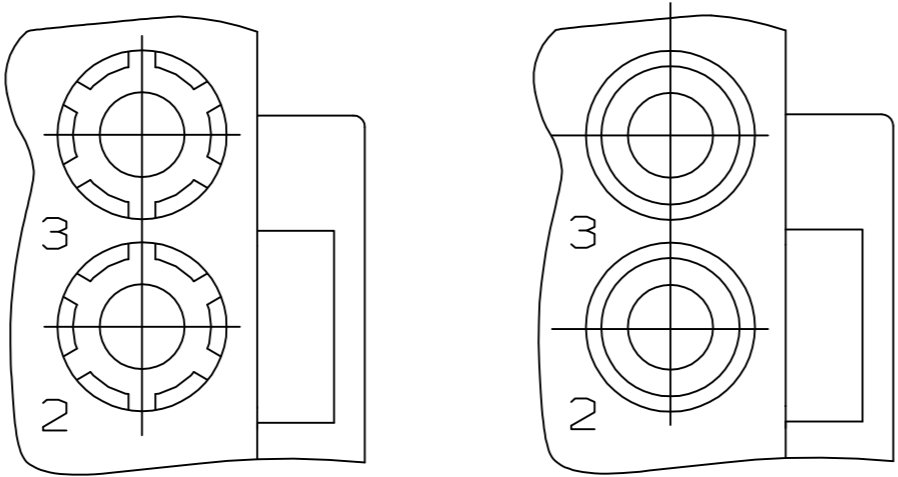
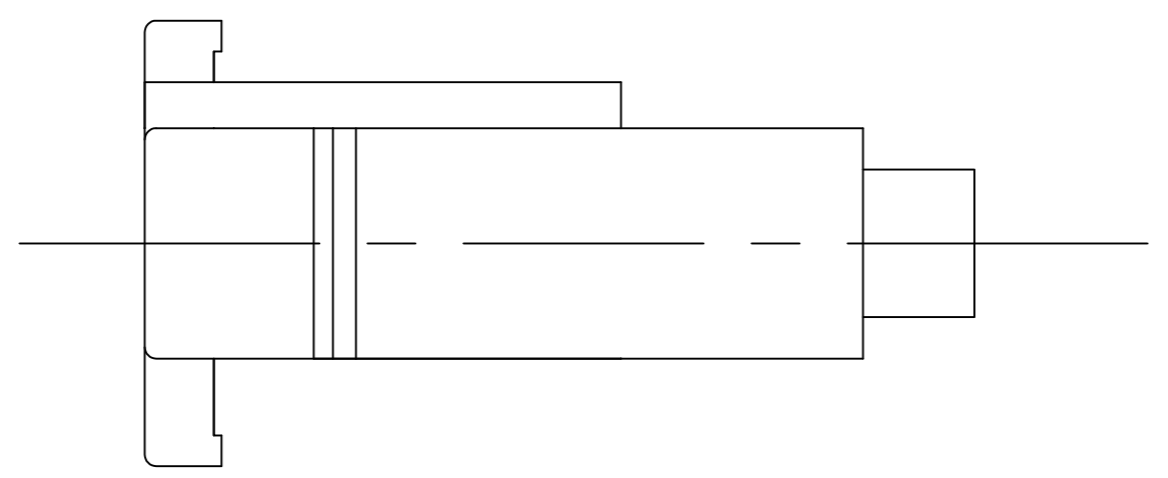


REVISIONS				
P	LTR	DESCRIPTION	DATE	APVD
A		REVISED PER ECR-17-015449	26OCT2017	BDA KR



1. MATES WITH APPROPRIATE UNIVERSAL MATE-N-LOK™ CAP OR HEADER.
2. SMALL NICKS ARE PERMITTED ON THE CIRCUIT TOWERS WHICH COULD INCREASE THE INITIAL HOUSING MATING FORCE BY UP TO 4.4 NEWTONS [1.0 LBS]. NO INDIVIDUAL NICKED TOWER SHALL INCREASE THIS FORCE BY OVER 2.2 NEWTONS [.5 LBS].
3. DIMENSIONS SHOWN REPRESENT PRODUCT IN DRY, AS MOLDED, CONDITION. ADDITIONAL 2% GROWTH DUE TO SUBSEQUENT MOISTURE ABSORPTION MAY OCCUR AND SHOULD BE ACCOUNTED FOR.
4. FOUR RIBS EQUALLY SPACED, NO SPECIFIC ORIENTATION. NO RIBS OR SIX RIBS EQUALLY SPACED, NO SPECIFIC ORIENTATION, OPTIONAL.
5. UNDERWRITERS RECOGNIZED COMPONENT LOGO AND CSA CERTIFICATION LOGO TO BE LOCATED ONCE EACH ON SIDE OF HOUSING.



3-DIMENSIONAL MODEL
NTS

DETAIL A
OPTIONAL CONSTRUCTION

THIS DRAWING IS A CONTROLLED DOCUMENT.		DWN S. HOOVER	05-MAR-2004		
DIMENSIONS: mm [INCHES]		CHK S. RIDGILL	05-MAR-2004		
TOLERANCES UNLESS OTHERWISE SPECIFIED:		APVD S. RIDGILL	05-MAR-2004	NAME	
0 PLC ± 1 PLC ± 2 PLC ± 0.13 [.005] 3 PLC ± 4 PLC ± ANGLES ±		APPLICATION SPEC		PLUG, 3 CIRCUIT, UV RESISTANT UNIVERSAL MATE-N-LOK™	
MATERIAL NYLON, UL 94V-2		FINISH		SIZE A2	CAGE CODE 00779
CUSTOMER DRAWING		WEIGHT		DRAWING NO C=1586377	RESTRICTED TO -
		SCALE 4:1		SHEET 1 OF 1	REV A

Mouser Electronics

Authorized Distributor

Click to View Pricing, Inventory, Delivery & Lifecycle Information:

[TE Connectivity:](#)

[1586377-1](#)