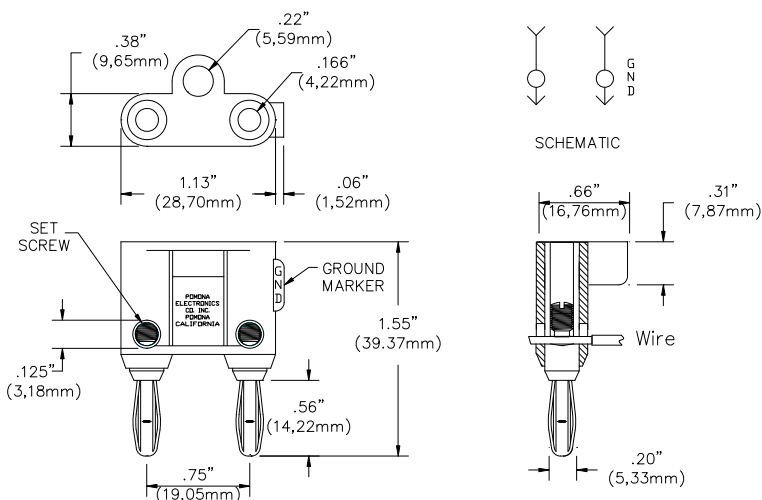


**Model MDP, 4892, & 4898
Stackable Double Banana Plug with Cable Guide**



**Model MDP, 4892, 4898
Stackable Double Banana Plug with Cable Guide**



Features

- Simplified attachment of cables or small components by means of set screws.
- For test versatility, banana plugs can be vertically stacked.
- Banana plug spring is Beryllium Copper for long insertion life.
- Model 4898 features Polyphenylene Sulfide for high temperature operation.
- Model 4892 features gold plating for superior electrical connection.

Materials

- Banana Plug Body:*
 MDP & 4898: Nickel Plated Brass
 Model 4892: Gold Plated Brass
- Spring:*
 MDP & 4898: Nickel Plated Beryllium Copper
 Model 4892: Gold Plated Beryllium Copper
- Insulation:*
 MDP & 4892: ABS
 Model 4898: Polyphenylene Sulfide
- Set Screws:* Zinc Plated Steel, 8-32 Single

Specifications

- Operating Voltage:**
 Hands free usage in controlled voltage environments: 5000 Vrms maximum.
For CE compliance: not intended for hand-held use at voltages above 33 Vrms/70 Vdc.
- Current:** 15 Amperes
- Operating Temperature:**
 Model MDP & 4892: +122°F (+50°C) Max.
 Model 4898: +302°F (+150°C) Max.

Ordering Information

- Model: MDP-Color
Colors = 0 (Black), 1 (Brown), 2 (Red), 3 (Orange), 4 (Yellow), 5 (Green), 6 (Blue), 7 (Violet), 8 (Gray), 9 (White)
- Model: 4892-0 (Gold Plated, Black)
 Model: 4892-2 (Gold Plated, Red)
- Model: 4898-0 (Polyphenylene Sulfide, Black)
 Model: 4898-6 (Polyphenylene Sulfide, Blue)

Ordering Example: 4892-2, Gold Plated Double Banana Plug, Color: Red

Model: 4914 (replacement set screws 100/pk)

USA: Sales: 800-490-2361
 Technical Support: technicalsupport@pomonatest.com
 Fax: 425-446-5844

Europe: 31-(0) 40 2675 150 **International:** 425-446-5500
Where to Buy: www.pomonaelectronics.com

All dimensions are in inches. Tolerances (except noted): .xx = ±.02" (.51 mm), .xxx = ±.005" (.127 mm). All specifications are to the latest revisions. Specifications are subject to change without notice. Registered trademarks are the property of their respective companies.

Mouser Electronics

Authorized Distributor

Click to View Pricing, Inventory, Delivery & Lifecycle Information:

Pomona:

[MDP-4](#) [MDP-3](#) [MDP-6](#) [MDP-7](#) [MDP-1](#) [MDP-8](#) [MDP-9](#) [MDP-5](#) [MDP-02](#) [MDP-0](#) [MDP-2](#)