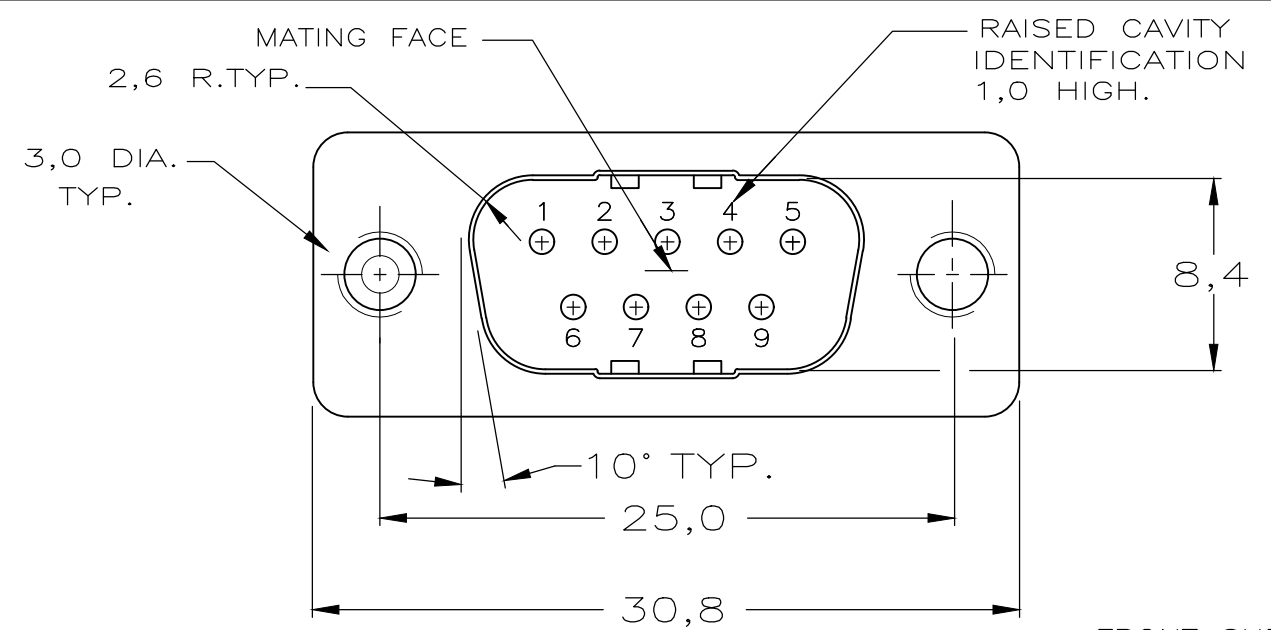


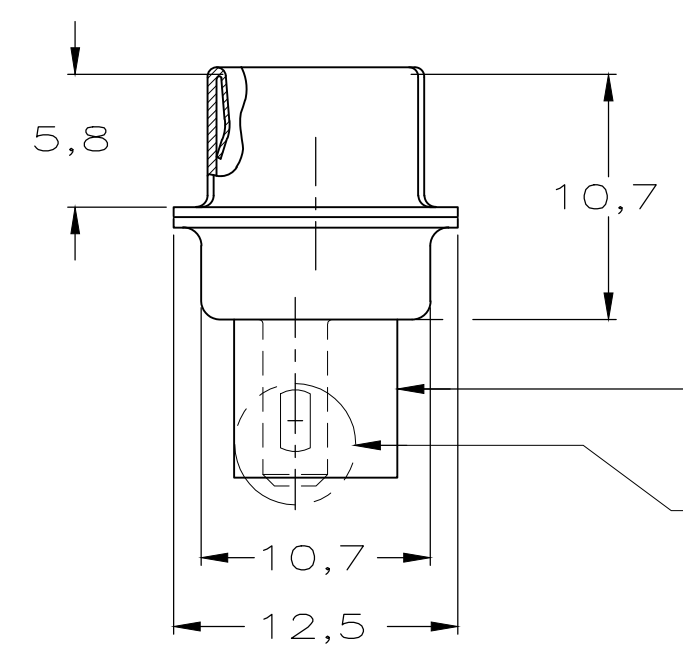
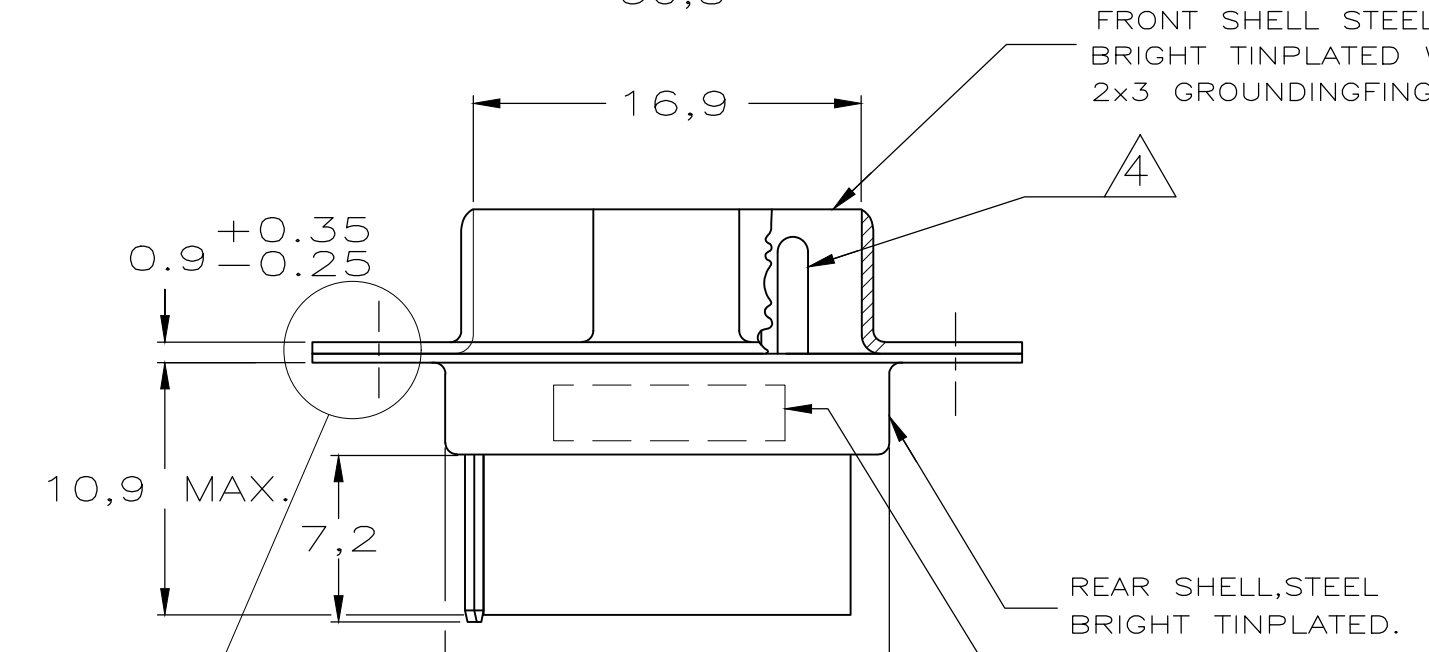
THIS DRAWING IS UNPUBLISHED. RELEASED FOR PUBLICATION
 © COPYRIGHT - By - ALL RIGHTS RESERVED.

REVISIONS				
P	LTR	DESCRIPTION	DATE	APVD
D		REVISED PER ECO-18-001571	08FEB2018	AP DG



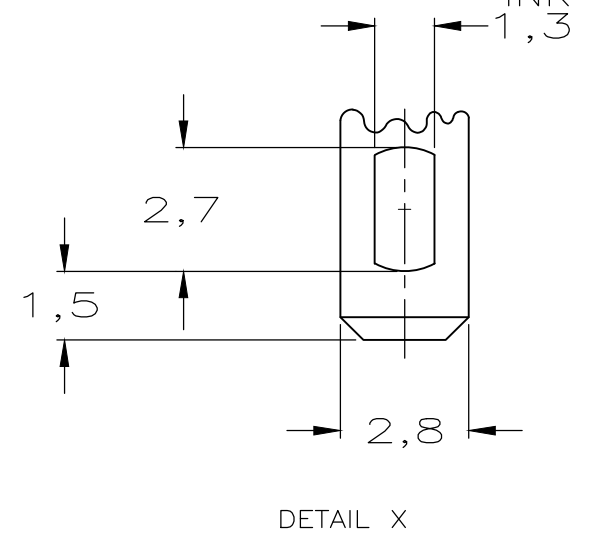
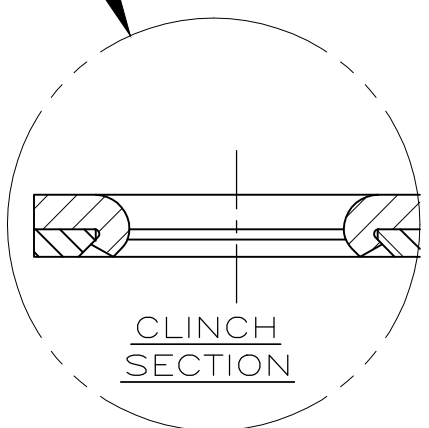
NOTES:

- 1 THIS PLUG ACCEPTS SIZE 20 PIN CONTACTS
- 2 MAXIMUM WIRE INSULATION RECOMMENDED FOR USE WITH THIS PLUG IS 1,73 DIA. MAX..
- 3 RETENTION TINES ARE AN INTEGRAL PART OF INSERT.
- 4 CONTACTS SHOWN FOR ILLUSTRATION ONLY, NO PART OF CONNECTOR PACKAGE, MUST BE ORDERED SEPARATELY.
- 5 FOLLOWING INSERTION/REMOVAL TOOLS ARE RECOMMENDED FOR USE WITH THESE CONNECTORS:
32-28AWG/28-24AWG CONT's 24-20AWG CONTACTS
 91067-3 INSERTION/REMOVAL 91067-2 INSERTION/REMOVAL
 726363-1 INSERTION ONLY 726363-1 INSERTION ONLY
 726364-1 REMOVAL ONLY



INSERTS: NYLON
 GLASS-FILLED
 SELF-EXTINGUISHING
 COLOR: BLACK
 SEE DETAIL X

REAR SHELL, STEEL BRIGHT TINPLATED.
 TE DATE CODE
 TE PARTNO.
 INK STAMPED



DETAIL X
 (TAB-THICKNESS : 0,4)

THIS DRAWING IS A CONTROLLED DOCUMENT.		DWN	L.V.D.HEIJDEN.	30-06-87
DIMENSIONS: mm		CHK	C.V.TILBURG.	07-07-87
TOLERANCES UNLESS OTHERWISE SPECIFIED:		APVD	L.V.SOEST.	28-07-87
0 PLC	± -	PRODUCT SPEC		
1 PLC	± -	APPLICATION SPEC		
2 PLC	± -	WEIGHT		
3 PLC	± -	0.000000		
4 PLC	± -	CUSTOMER DRAWING		
ANGLES	± -	SCALE -		
FINISH	-	SHEET 1 OF 1		
MATERIAL -		REV D		

SEE DRAWING	SEE DRAWING	215711-1
FINISH	MATERIAL	PARTNUMBER
STE TE Connectivity		
HDP-20 PLUG CONNECTOR, SIZE 1, (9 POSITION) WITH SOLDER TAB.		
SIZE	CAGE CODE	DRAWING NO
A3	00779	C-215711
RESTRICTED TO		-

Mouser Electronics

Authorized Distributor

Click to View Pricing, Inventory, Delivery & Lifecycle Information:

[TE Connectivity:](#)

[215711-1](#)