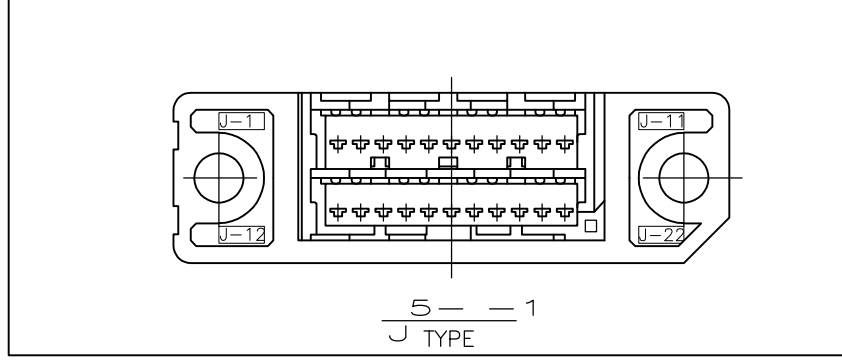
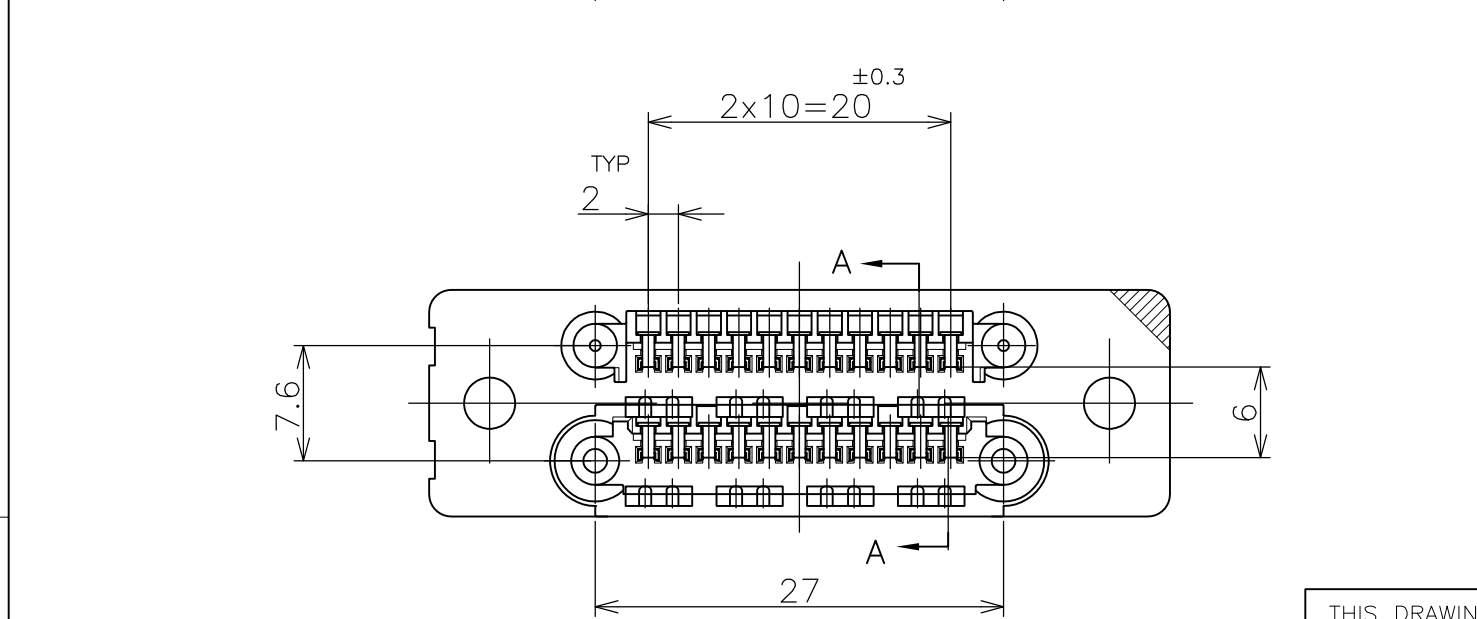
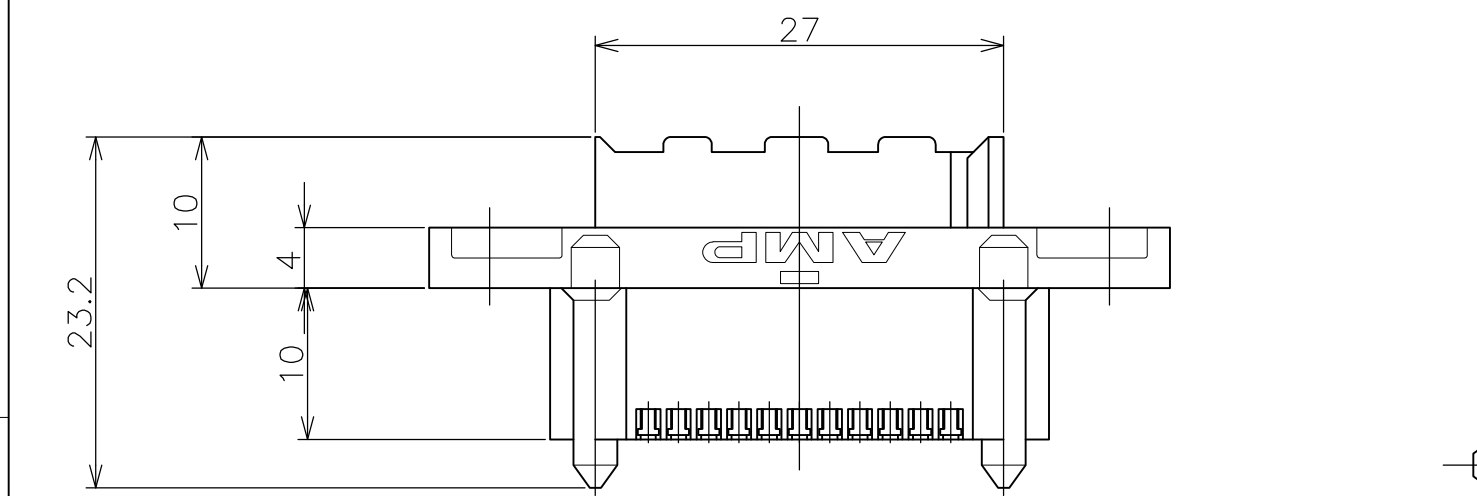
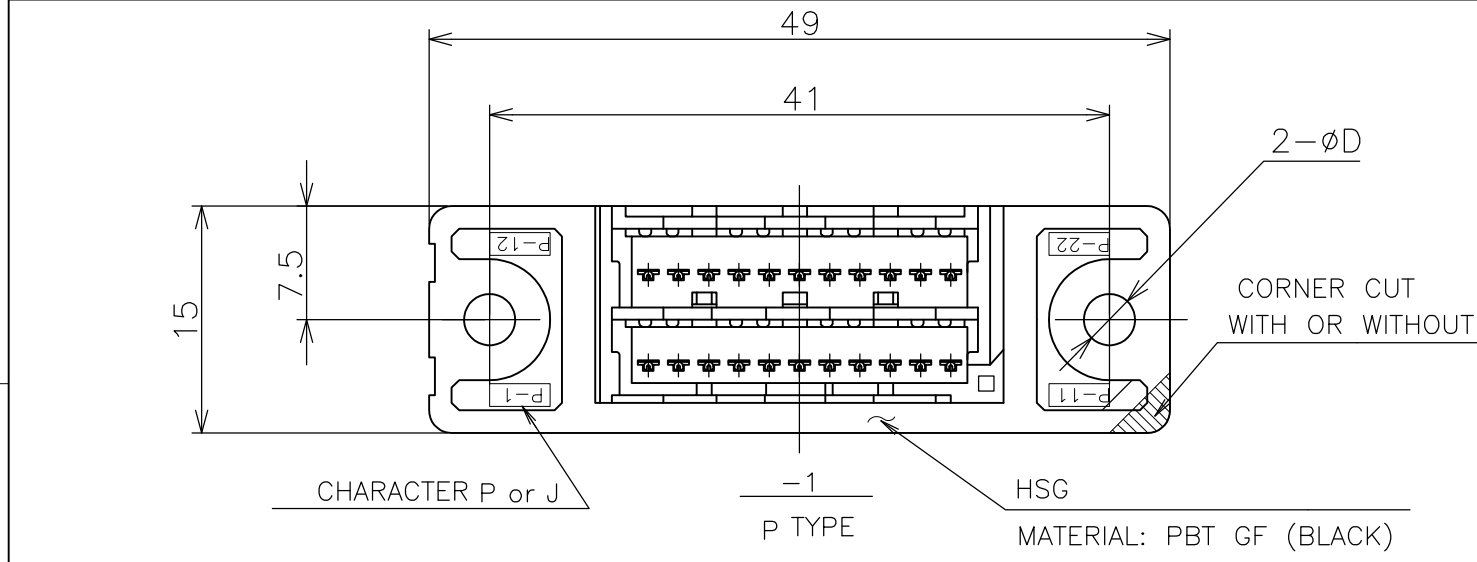


THIS DRAWING IS UNPUBLISHED. RELEASED FOR PUBLICATION  
 © COPYRIGHT - By - ALL RIGHTS RESERVED.

LOC	DIST	REVISIONS					
ES	00	P	LTR	DESCRIPTION	DATE	DWN	APVD
		B		REVISED ECO-13-006225	11APR2013	I.T	S.Y



TOLERANCE

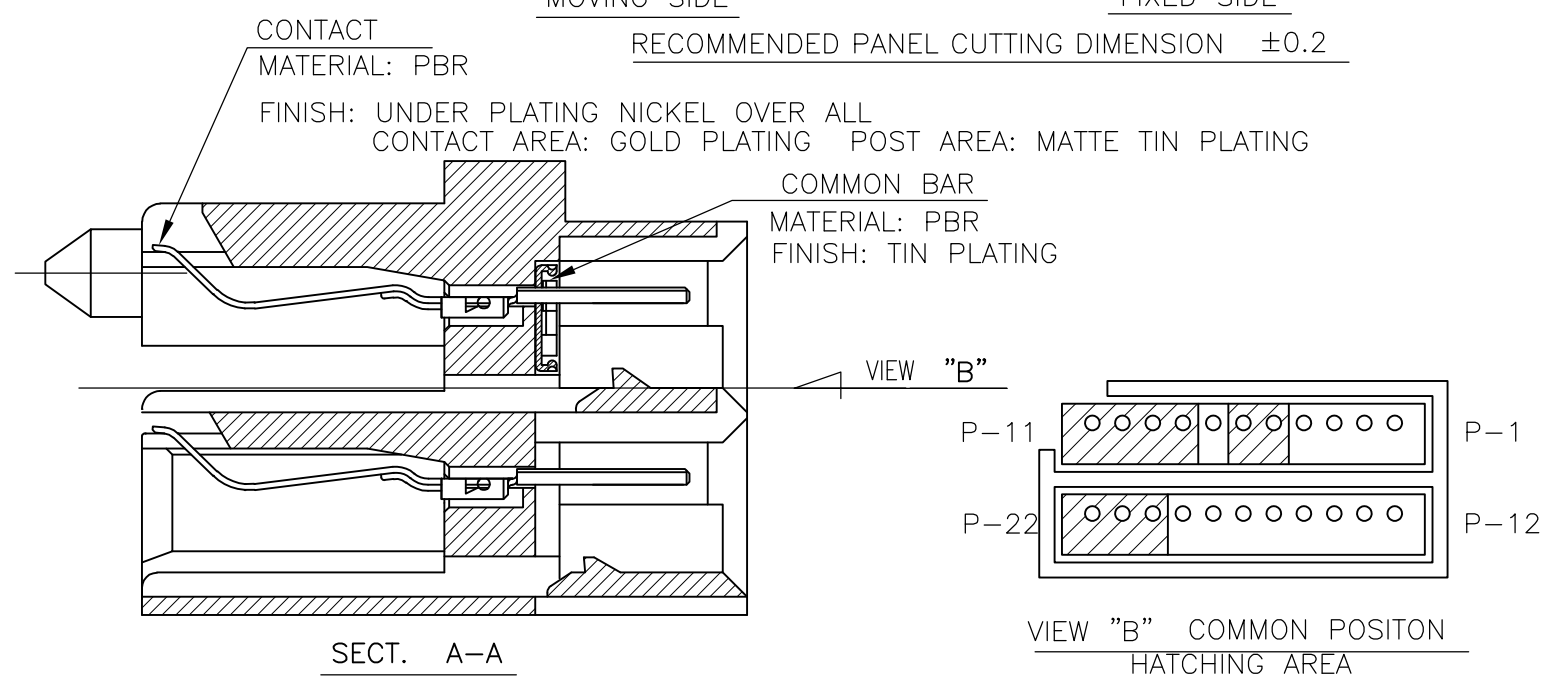
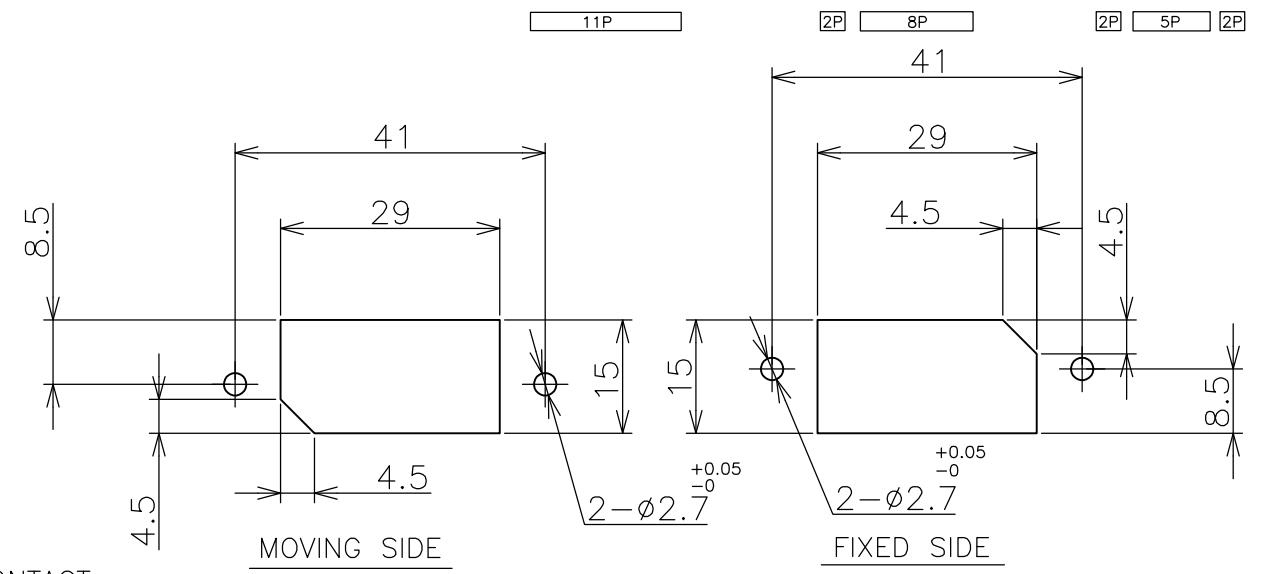
10 ≥ *	±0.2
30 ≥ * > 10	±0.25
100 ≥ * > 30	±0.3
ANGLE	±3°

THIS DRAWING IS A CONTROLLED DOCUMENT.

DIMENSIONS:	TOLERANCES UNLESS OTHERWISE SPECIFIED:
mm	0 PLC ± -
	1 PLC ± -
	2 PLC ± -
	3 PLC ± -
	4 PLC ± -
	ANGLES ± -
MATERIAL	FINISH
SEE SHEET	SEE SHEET

NOTES:

- APPLIED USED TAPPING SCREW P/N: 176848-1
- MATING CONN. OF POST SIDE: AMP CT CONN. HAS FOLLOWING PATTERN



—  —	CUT	4.4	J	5-292178-1
—  —	—  —	3.4	P	292178-1
COMMON TAB	CORNER CUT	D	HSG TYPE	P/N

THIS DRAWING IS A CONTROLLED DOCUMENT.

DWN	J. JIANG	05FEB03		TE Connectivity	
CHK	S. YAO	05FEB03		NAME	
APVD	T. SASAKI	05FEB03		PRODUCT SPEC	
				APPLICATION SPEC	
108-60021			22P MINI-DRAWER CONNECTOR		
CUSTOMER DRAWING			SIZE	CAGE CODE	DRAWING NO
			A3	00779	C-292178
			SCALE	SHEET	REV
			NTS	1 OF 1	B

# Mouser Electronics

Authorized Distributor

Click to View Pricing, Inventory, Delivery & Lifecycle Information:

[TE Connectivity:](#)

[292178-1](#)