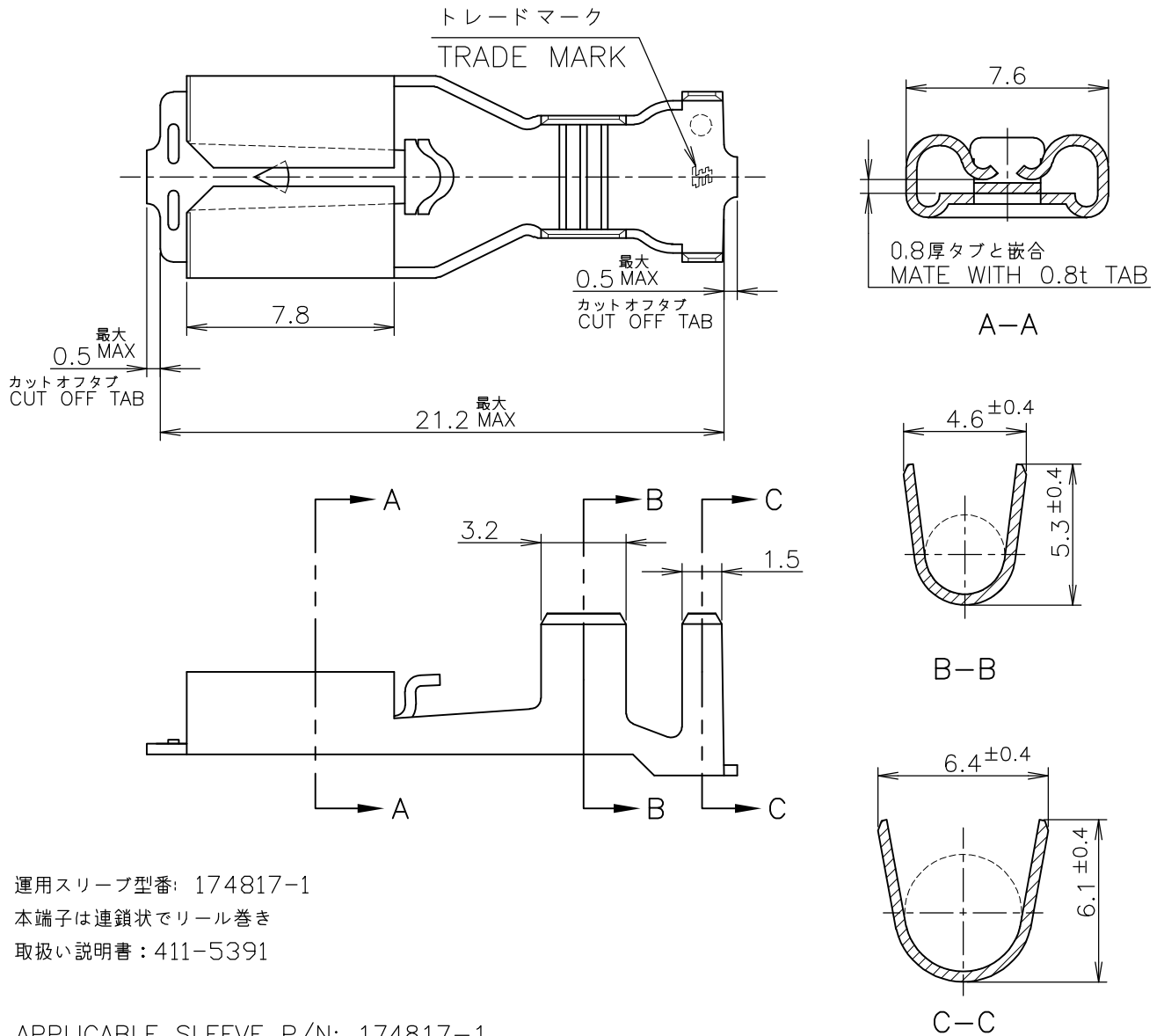


LOC J	DIST /	REVISIONS 変更			DATE	DWN	APVD
		P	LTR	DESCRIPTION			
			C	REDRAWN AND REVISED ECR-10-023816	26NOV2010	T.T	T.M

-1; AS SHOWN



- 1 運用スリーブ型番: 174817-1
- 2 本端子は連鎖状でリール巻き
- 3 取扱い説明書: 411-5391

- 1 APPLICABLE SLEEVE P/N: 174817-1
- 2 CONTINUOUS STRIP ON REELS
- 3 INSTRUCTION SHEET NO: 411-5391

-	PRE TINNED BRASS 錫めっき付 黄銅 0.4t	175024-1
LOOSE PIECE NO. ばら状端子型番	MATERIAL 材料	P/N 型番

WIRE RANGE 包合電線断面積	AWG #15-#10 1.75~5.2 mm <sup>2</sup>	INSULATION DIA 被覆外径	3.0~5.1 mm $\phi$
-----------------------	---	------------------------	-------------------

DIMENSIONS: 単位: 耗 mm	DWN M.SUZUKI	11MAY1999	MATERIAL 材料 表参照 SEE TABLE	FINISH 仕上
	CHK M.SHINDO	12MAY1999		
TOLERANCES UNLESS OTHERWISE SPECIFIED: 一般公差	APVD M.SHINDO	12MAY1999	Tyco Electronics Corporation Kawasaki, Japan	
	PRODUCT SPEC 製品規格	108-5251		
0 PLC ± 1 PLC ± 10 ≥: ±0.2 2 PLC ± 30 ≥ > 10: ±0.25 3 PLC ± 100 ≥ > 30: ±0.3 4 PLC ± ANGLES ± 3°	APPLICATION SPEC 取付適用規格	114-5119	NAME 名称	250 SERIES POSITIVE LOCK-EX REC. 250 シリーズ ポジティブロッカーEX リセブタクル
	WEIGHT	A4	00779	DRAWING NO 番号
CUSTOMER DRAWING			SCALE 尺度	4:1
			SHEET	1 OF 1
			REV	C

RELEASED FOR PUBLICATION  
MAY 1, 1999.

ALL INTERNATIONAL RIGHTS RESERVED.

THIS DRAWING IS UNPUBLISHED.

BY TYCO ELECTRONICS CORPORATION.

© COPYRIGHT 1999

# Mouser Electronics

Authorized Distributor

Click to View Pricing, Inventory, Delivery & Lifecycle Information:

[TE Connectivity:](#)

[175024-1](#) [175024-1 \(Loose Piece\)](#)