

Type 944U Polypropylene, DC Link Capacitors

High Current, Low Profile for Inverter Applications



Type 944U is specifically designed for use in high power DC filtering applications. The low inductance internal construction utilizes low loss metallized polypropylene for high ripple current capability. Male or female terminal options offer design flexibility in a rugged UL 94V0 rated flame retardant plastic case and resin fill. High current ratings and robust mounting flanges make the 944U suited for inverter applications in electric vehicle power inverters, wind power inverters and motor drives.

Highlights

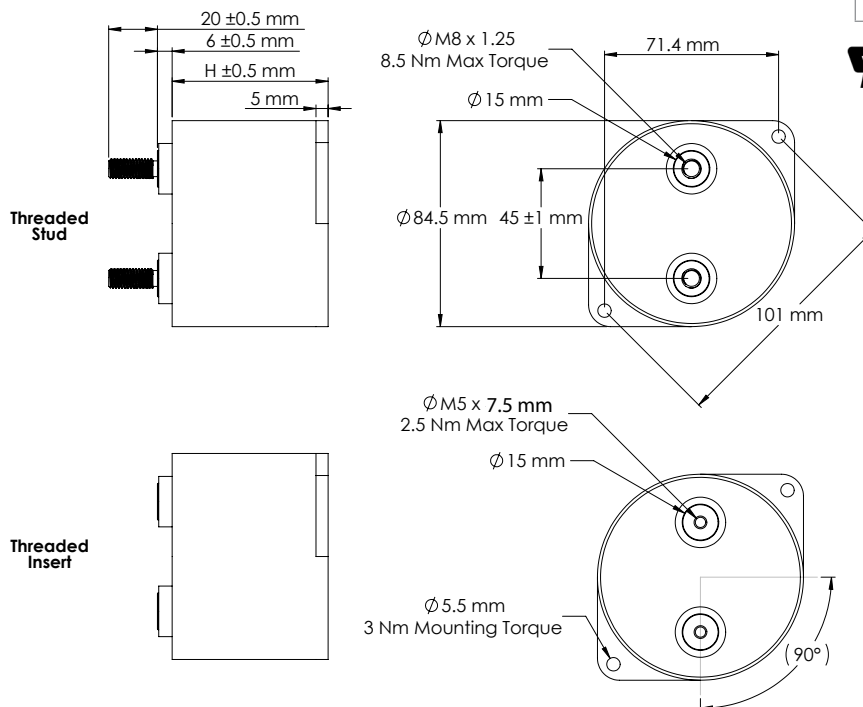
- Low Inductance
- Low Profile
- Low ESR
- High Ripple Current
- High Voltage Ratings

Specifications

Capacitance Range	33 to 220 μ F
Capacitance Tolerance	\pm 10% standard
Rated Voltage	800 to 1400 Vdc
Operating Temperature Range	-40 $^{\circ}$ C to 85 $^{\circ}$ C
Maximum rms Current	74A @ 55 $^{\circ}$ C
Maximum rms Voltage	230 Vac
Test Voltage between Terminal @ 25 $^{\circ}$ C	150% rated DC voltage for 10 s
Test Voltage between Terminals & Case @ 25 $^{\circ}$ C	4 kVac @ 50/60 Hz for 60 s
Life Test	5000 h @ 85 $^{\circ}$ C, rated voltage


RoHS Compliant

Dimensions



Construction Details

Case Material	Plastic UL94V-0
Resin Material	Dry Resin UL94V-0
Terminal Material	Tin Plated Brass

 UL Recognized E128034 construction only - unprotected

Type 944U Polypropylene, DC Link Capacitors

High Current, Low Profile for Inverter Applications

Part Numbering System

944U	101	K	801	A	A	M
Type	Capacitance	Tolerance	Voltage	Diameter D (mm)	Height H (mm)	Terminal
944U	101 = 100 μ F 700 = 70 μ F 470 = 47 μ F	K = \pm 10%	801 = 800 Vdc 102 = 1000 Vdc 122 = 1200 Vdc 142 = 1400 Vdc	A = 84.5	A = 40 B = 51 C = 64	M = M8 Thd Stud I = M5 Thd Insert

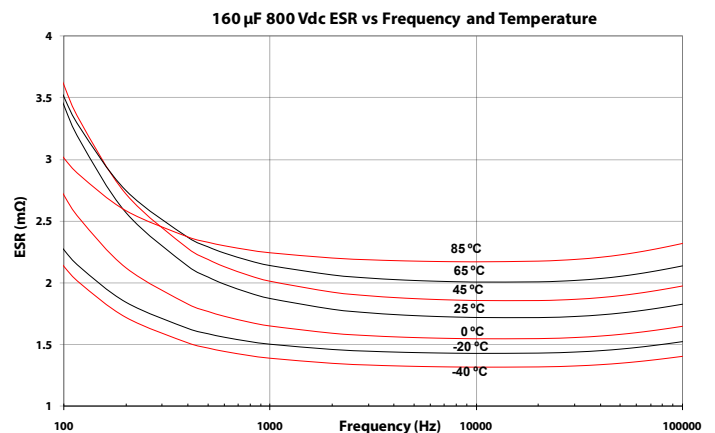
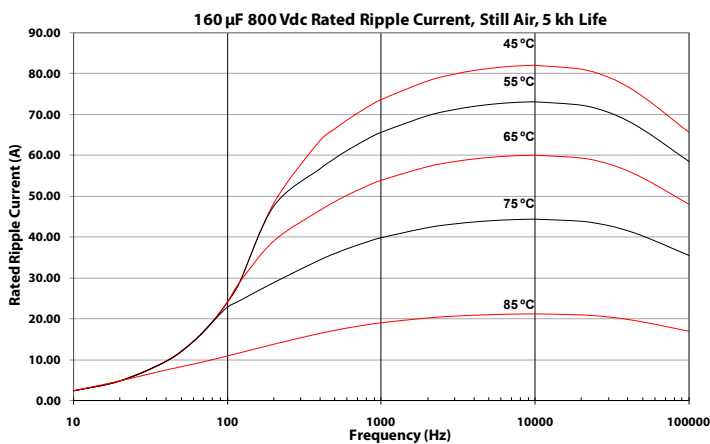
Ratings

NOTE: Other ratings, sizes and performance specifications are available. Contact us.

Catalog Part Number	Cap (μ F)	Rated Voltage (Vdc)	H Height mm	Typical ESR 10kHz (m Ω)	Typical ESL (nH)	Max Irms 55°C (A)	Thermal Resistance	
							Θ_{cc} ($^{\circ}$ C/W)	Θ_{ca} ($^{\circ}$ C/W)
944U101K801AA*	100	800	40	0.5	20	74	2.8	5.2
944U161K801AB*	160	800	51	0.8	30	73	3.0	4.5
944U221K801AC*	220	800	64	1.0	40	72	3.1	4.0
944U660K102AA*	66	1000	40	0.6	20	70	2.8	5.2
944U101K102AB*	100	1000	51	0.8	30	68	3.0	4.5
944U141K102AC*	140	1000	64	1.0	40	65	3.1	4.0
944U470K122AA*	47	1200	40	0.7	20	67	2.8	5.2
944U700K122AB*	70	1200	51	1.0	30	65	3.0	4.5
944U101K122AC*	100	1200	64	1.3	40	64	3.1	4.0
944U330K142AA*	33	1400	40	0.8	20	64	2.8	5.2
944U520K142AB*	52	1400	51	1.1	30	60	3.0	4.5
944U700K142AC*	70	1400	64	1.4	40	59	3.1	4.0

* M = M8 Stud I = M5 Insert

Typical Performance Curves



Type 944U Polypropylene, DC Link Capacitors

High Current, Low Profile for Inverter Applications

Expected Lifetime Predictions

Capacitance:	C (μF)
Equivalent Series Resistance:	ESR ($\text{m}\Omega$)
Frequency:	f (kHz)
Ripple Current:	I (A_{rms})
Ambient Temperature:	T_A ($^{\circ}\text{C}$)
Core Temperature:	T_C ($^{\circ}\text{C}$)
Total Thermal Resistance:	Θ ($^{\circ}\text{C}/\text{W}$)
Thermal Resistance case-to-ambient:	Θ_{CA} ($^{\circ}\text{C}/\text{W}$)
Thermal Resistance core-to-case:	Θ_{CC} ($^{\circ}\text{C}/\text{W}$)
Airflow Speed:	v (m/s)
Applied Voltage:	V_A (V_{DC})
Rated Voltage:	V_R (V_{DC})

Determine ESR at Operating Frequency

Use the 10 kHz ESR from the ratings tables.

For operation below 10 kHz, the ESR will need to be adjusted using the following equation: $\text{ESR} - 31.83/(10C) + 31.83/(fC)$.

Determine Thermal Resistance at Operating Frequency and Air Flow

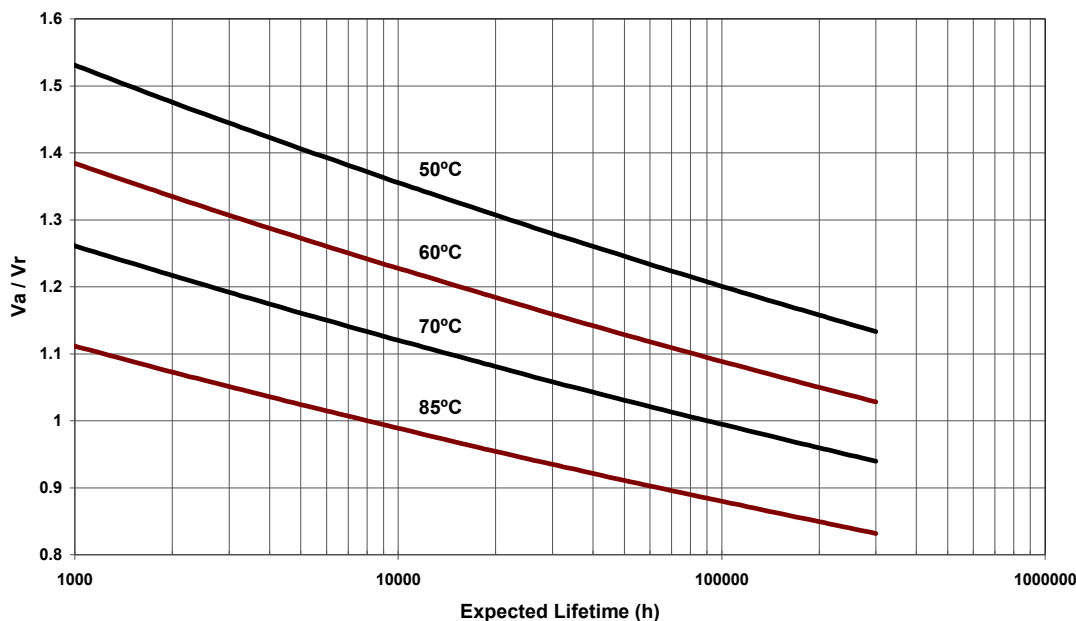
Compute $\Theta = \Theta_{\text{CC}} + \Theta_{\text{CA}}$. In the ratings tables, Θ_{CA} is for still air. For $v = 0$ to 5 m/s, multiply Θ_{CA} by $[(5 + 17.6(0.1^{0.66})) / (5 + 17.6(v + 0.1)^{0.66})]$

Determine Expected Lifetime

Look up Expected Lifetime on the graph using V_A/V_R and $T_C = T_A + I^2 (\text{ESR}/1000) \Theta$

The maximum allowed temperature rise is 40 $^{\circ}\text{C}$ and the maximum allowed core temperature is 95 $^{\circ}\text{C}$.

Expected Lifetime vs Hot Spot Temperature and Applied DC Voltage



Notice and Disclaimer: All product drawings, descriptions, specifications, statements, information and data (collectively, the "Information") in this datasheet or other publication are subject to change. The customer is responsible for checking, confirming and verifying the extent to which the Information contained in this datasheet or other publication is applicable to an order at the time the order is placed. All Information given herein is believed to be accurate and reliable, but it is presented without any guarantee, warranty, representation or responsibility of any kind, expressed or implied. Statements of suitability for certain applications are based on the knowledge that the Cornell Dubilier company providing such statements ("Cornell Dubilier") has of operating conditions that such Cornell Dubilier company regards as typical for such applications, but are not intended to constitute any guarantee, warranty or representation regarding any such matter – and Cornell Dubilier specifically and expressly disclaims any guarantee, warranty or representation concerning the suitability for a specific customer application, use, storage, transportation, or operating environment. The Information is intended for use only by customers who have the requisite experience and capability to determine the correct products for their application. Any technical advice inferred from this Information or otherwise provided by Cornell Dubilier with reference to the use of any Cornell Dubilier products is given gratis (unless otherwise specified by Cornell Dubilier), and Cornell Dubilier assumes no obligation or liability for the advice given or results obtained. Although Cornell Dubilier strives to apply the most stringent quality and safety standards regarding the design and manufacturing of its products, in light of the current state of the art, isolated component failures may still occur. Accordingly, customer applications which require a high degree of reliability or safety should employ suitable designs or other safeguards (such as installation of protective circuitry or redundancies or other appropriate protective measures) in order to ensure that the failure of an electrical component does not result in a risk of personal injury or property damage. Although all product-related warnings, cautions and notes must be observed, the customer should not assume that all safety measures are indicated in such warnings, cautions and notes, or that other safety measures may not be required.