



Airflow Sensors
AWM700 Series, Compensated/Amplified



Airflow Sensors

The AWM700 Series, Compensated/Amplified Airflow Sensors provide in-line flow measurement with a specially designed bypass flow housing. These sensors measure flow as high as 300 standard liters per minute (SLPM) while inducing a typical pressure drop of 1 inH₂O.

The AWM700 has a high flow range capability in a small package, as well as a 6 ms response time. These sensors require a 10 Vdc supply, but consume only 60 mW of power.

The compact plastic package withstands overpressures of 1720 mbar | 172 kPa | 25 psi without compromising performance. The snap-in AMP-compatible connector provides reliable connection.

The AWM700 Series provides a combination of time-proven reliability, high accuracy, and precision operating characteristics. This inherent accuracy over life reduces need for recalibration. AWM700 sensor circuitry performs amplification and temperature compensation.

The AWM720P1 and AWM730B5 were developed primarily for the medical ventilation market and meet the high performance requirements of many medical and analytical instrumentation applications.

Key Features and Benefits

- **Flow tubes for ranges up to 300 SLPM:** Provides low pressure drop in the customer's application
- **Highly stable null and full scale:** Does not require recalibration in most applications
- **Compact package design:** Occupies less space in the customer's enclosure, potentially reducing production costs; enclosure size may also be reduced for easier fit into space-constrained applications
- **Low hysteresis and repeatability errors (less than 0.35% of reading):** Provides better system accuracy
- **Enhanced response flow time of 6 ms:** Captures full flow event
- **Low power consumption:** Allows for use in portable devices and battery-powered applications

Potential Applications

MEDICAL

- Oxygen concentrators and conservers
- Respirators and ventilators
- Nebulizers
- Continuous positive airway pressure (CPAP)
- Anesthesia machines

INDUSTRIAL

- Mass flow controllers
- Telecommunication systems
- Environmental climate controls
- Fuel cell controls
- Process gas control welding equipment and lasers

HIGHLY STABLE • COMPACT PACKAGE • LOW HYSTERESIS

AWM700 Series, Compensated/Amplified

Table 1. Specifications

Characteristic	Parameter	
	AWM720P1	AWM730B5
		
Flow range	+200 SLPM	±300 SLPM
Excitation voltage ¹	10 Vdc ±0.01 Vdc	5 Vdc ±0.01 Vdc
Power supply	8.0 Vdc min./10.0 Vdc typ./15.0 Vdc max.	9.0 Vdc min./16.0 Vdc max.
Power consumption	60 mW	
Output loading: sinking sourcing	10 mA typ. 20 mA typ.	
Calibration gas	air	
Null voltage shift: 25 °C to -25 °C [77 °F to -13 °F] 25 °C to 85 °C [77 °F to 185 °F] 25 °C to 5 °C [77 °F to 41 °F] 25 °C to 60 °C [77 °F to 140 °F]	±0.025 Vdc typ. ±0.025 Vdc typ. — —	— — ±0.02 Vdc typ. ±0.02 Vdc typ.
Full scale output shift: 25 °C to 10 °C [77 °F to 50 °F] 25 °C to 40 °C [77 °F to 104 °F] 25 °C to 5 °C [77 °F to 41 °F] 25 °C to 60 °C [77 °F to 140 °F]	-2.0 Vdc %reading typ. +2.0 Vdc %reading typ. — —	— — ±2.5 %reading typ. ±2.5 %reading typ.
Ratiometricity error ¹	±0.30 %reading typ.	—
Repeatability and hysteresis ²	±0.50 %reading max.	±0.035 Vdc typ.
Response time ³	6 ms typ.	10 ms typ.
Warmup time	—	5 s
Pressure drop at full scale	2,5 mbar 250 Pa 1.0 inH ₂ O typ.	3,0 mbar 300 Pa 1.2 inH ₂ O typ.
Overpressure	1720 mbar 172 kPa 25 psi max.	1034 mbar 103 kPa 15 psi max.
Temperature range: operating storage	-25 °C to 85 °C [-13 °F to 185 °F] -40 °C to 90 °C [-40 °F to 194 °F]	5 °C to 60 °C [41 °F to 140 °F] -40 °C to 90 °C [-40 °F to 194 °F]
Orientation sensitivity	—	<0.005 Vdc typ. variation at 5 Vdc excitation between any two directions
Weight	34 g [1.20 oz]	23,2 g [0.75 oz]
Connector	snap-in AMP 103956-3 provided with sensor	

¹Output voltage is ratiometric to supply voltage.

²Repeatability and hysteresis tolerances reflect inherent inaccuracies of the measurement equipment.

³Response times are from 10% to 90%.

AWM700 Series, Compensated/Amplified

Table 2. AWM720P1 Flow Specifications

Flow (SLPM)	Nominal (Vdc)	Tolerance (Vdc)	Pressure Drop		
			(mbar)	(Pa)	(inH ₂ O)
0	1.00	±0.05	0	0	0
25	2.99	—	0.10	10	0.04
50	3.82	±0.18	0.33	33	0.13
75	4.30	—	0.53	53	0.21
100	4.58	—	0.85	85	0.34
150	4.86	—	1.64	164	0.65
200	5.00	±0.36	2.74	274	1.09

Table 3. AWM730B5 Flow Specifications

Flow (SLPM)	Nominal (Vdc)	Tolerance (Vdc)	Pressure Drop		
			(mbar)	(Pa)	(inH ₂ O)
0	2.500	±0.090	—	—	—
100	3.600	±0.180	—	—	—
200	4.150	±0.180	—	—	—
300	4.500	±0.360	2.94	294	1.18

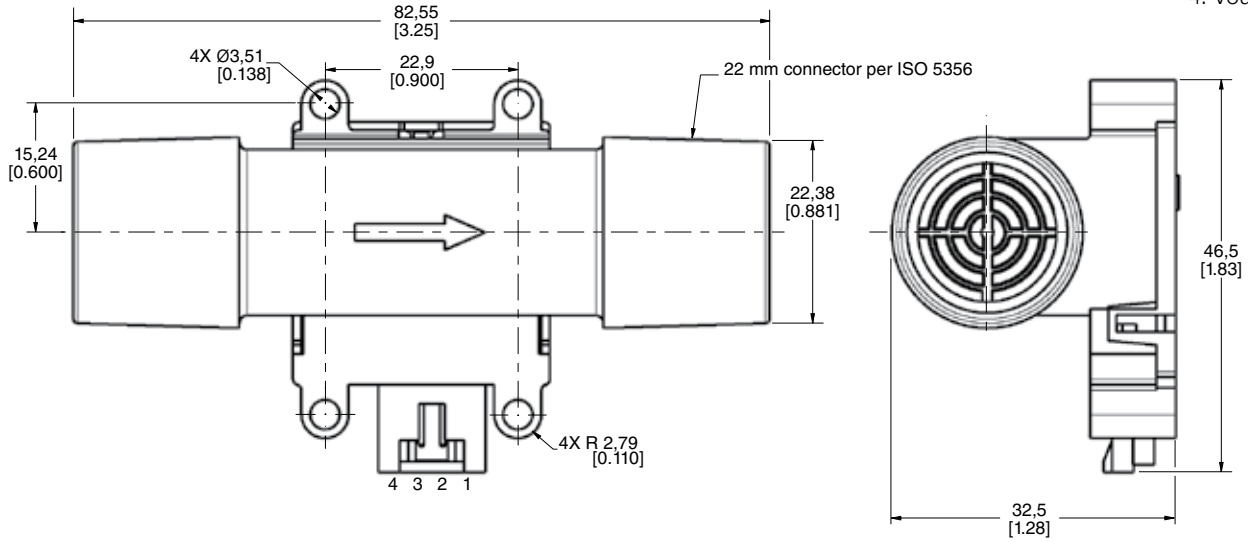
AWM700 Series, Compensated/Amplified

Figure 1. Mounting Dimensions (For reference only: mm/[in.])

AWM720P1

Pinout

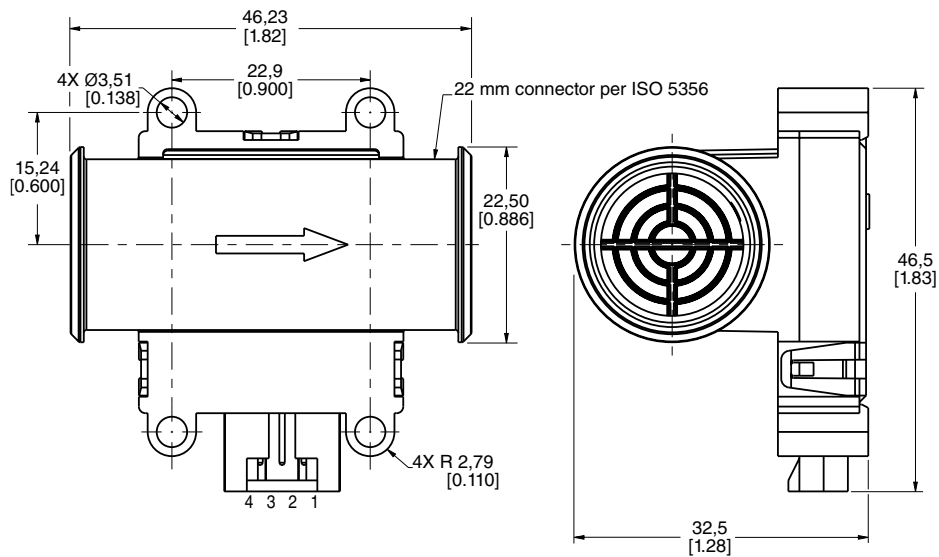
- 1: NC
- 2: V-
- 3: +10 Vdc
- 4: Vout



AWM730B5

Pinout

- 1: +15 Vdc
- 2: Gnd
- 3: 5 Vdc
- 4: Vout



AWM700 Series, Compensated/Amplified

LAMINAR FLOW

Due to the fast response time of the sensor, the specifications in this datasheet were generated using laminar flow. Airflow instability or “turbulence” present in the airstream will result in an increase in measurement uncertainty. Turbulent flow may be corrected by either of the following two methods:

- Straightening the airflow by using flow laminarizing.
- Slowing the response of the sensor by using a simple RC time constant on the output of the sensor. (This will slow down the sensor response time.

The values needed depend on the amount of turbulence present in the application. A technique for laminarizing the flow includes adding the following separately-purchased laminar flow elements to the flow stream:

- Hex-shaped honeycombs
- Foam
- Screen materials
- Constrictors (frits)

Unfortunately, the greater the efficiency of the laminarizer, the greater the increase in pressure drop in order to establish a given flow rate. Plastic honeycomb material probably gives the most improvement for the least pressure drop.

Ensure sharp radii are avoided in any test fixture.

ELECTRICAL CONNECTION

The AWM700 Series accepts a latch detent connector, such as AMP 103956-3. Information on latch detent connectors is available from the AMP Product Information Center, 1-800-522-6752 or the AMP Customer Hotline, 11-800-722-1111.

Table 4. Related AMP Literature

Document Number	Description
82160	MTE Interconnection System (AMPMODU) Catalog
108-25034	Product specification (technical performance information)
114-25026	Application specification (describes product, proper assembly, full tooling information)
IS6919	Instruction sheet for assembly procedure

Table 5. Order Guide

Catalog Listing	Description
AWM720P1	AWM700 series compensated/amplified airflow sensor, +200 SLPM flow range, P1 package style
AWM730B5	AWM700 series compensated/amplified airflow sensor, ±300 SLPM flow range, B5 package style

ADDITIONAL INFORMATION

The following associated literature is available at sensing.honeywell.com:

- Airflow Products Line Guide
- Airflow, Force and Pressure Sensors Range Guide
- Product Installation Instructions

Find out more

Honeywell serves its customers through a worldwide network of sales offices, representatives and distributors. For application assistance, current specifications, pricing or name of the nearest Authorized Distributor, contact your local sales office.

To learn more about Honeywell's sensing and control products, call **+1-815-235-6847** or **1-800-537-6945**, visit **sensing.honeywell.com**, or e-mail inquiries to **info.sc@honeywell.com**

Sensing and Control
Honeywell
1985 Douglas Drive North
Golden Valley, MN 55422
honeywell.com

⚠ WARNING

PERSONAL INJURY

DO NOT USE these products as safety or emergency stop devices or in any other application where failure of the product could result in personal injury.

Failure to comply with these instructions could result in death or serious injury.

⚠ WARNING

MISUSE OF DOCUMENTATION

- The information presented in this product sheet is for reference only. Do not use this document as a product installation guide.
- Complete installation, operation, and maintenance information is provided in the instructions supplied with each product.

Failure to comply with these instructions could result in death or serious injury.

WARRANTY/REMEDY

Honeywell warrants goods of its manufacture as being free of defective materials and faulty workmanship. Honeywell's standard product warranty applies unless agreed to otherwise by Honeywell in writing; please refer to your order acknowledgement or consult your local sales office for specific warranty details. If warranted goods are returned to Honeywell during the period of coverage, Honeywell will repair or replace, at its option, without charge those items it finds defective. **The foregoing is buyer's sole remedy and is in lieu of all other warranties, expressed or implied, including those of merchantability and fitness for a particular purpose. In no event shall Honeywell be liable for consequential, special, or indirect damages.**

While we provide application assistance personally, through our literature and the Honeywell website, it is up to the customer to determine the suitability of the product in the application.

Specifications may change without notice. The information we supply is believed to be accurate and reliable as of this printing. However, we assume no responsibility for its use.

Honeywell

Mouser Electronics

Authorized Distributor

Click to View Pricing, Inventory, Delivery & Lifecycle Information:

[Honeywell:](#)

[AWM730B5](#)