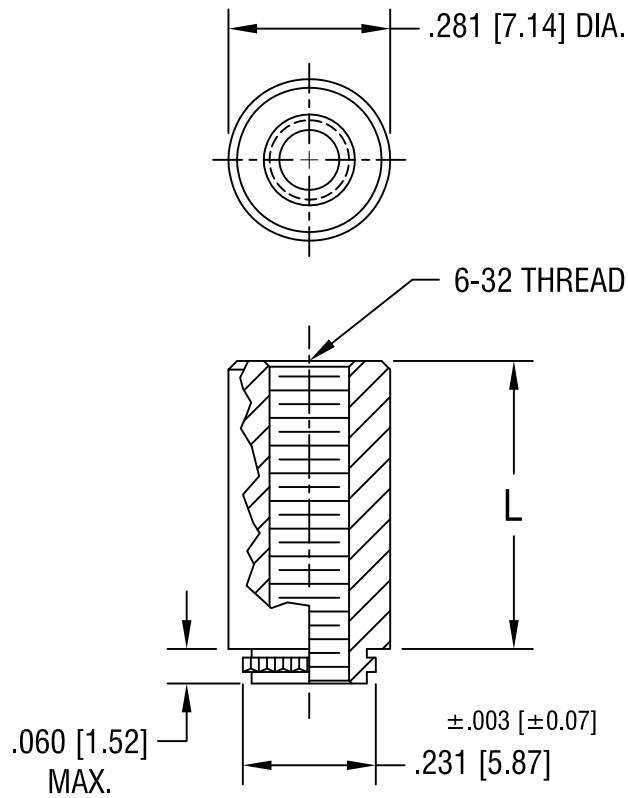


THIS DOCUMENT IS THE PROPERTY OF
KEYSTONE ELECTRONICS CORP. AND
SHALL NOT BE REPRODUCED, DISTRIBUTED
OR USED AS A BASIS FOR MANUFACTURE
WITHOUT PRIOR WRITTEN PERMISSION
FROM KEYSTONE ELECTRONICS CORP.



| PART NO. | 'L' DIM. |
|----------|-------------|
| 4866 | .065 [1.65] |
| 4867 | .125 [3.18] |
| 4868 | .250 [6.35] |
| 4869 | .375 [9.53] |

KEYSTONE ELECTRONICS CORP.

ASTORIA, N.Y. 11105-2017

PART NAME

FORCE-FIT STANDOFF, THREADED

MATERIAL

STAINLESS STEEL

FINISH

-

DRN BY

BOONE

DATE

10.10.96

APP'D

LN

SCALE

3X

12.19.05 CHANGE AS PER ECN 05-086

A

TOLERANCES

INCH [MM]

DECIMAL ±.005 [±0.15]

ANGULAR ± 1°

UNLESS OTHERWISE SPECIFIED

CODE

C/M

DWG NO.

4866-4869

DATE

DESCRIPTION

REV.

Mouser Electronics

Authorized Distributor

Click to View Pricing, Inventory, Delivery & Lifecycle Information:

[Keystone Electronics:](#)

[4869](#)