

PART NAME

TABLET ENCLOSURE

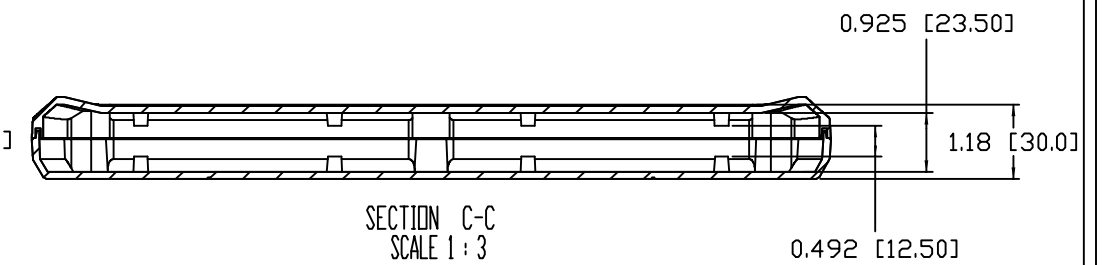
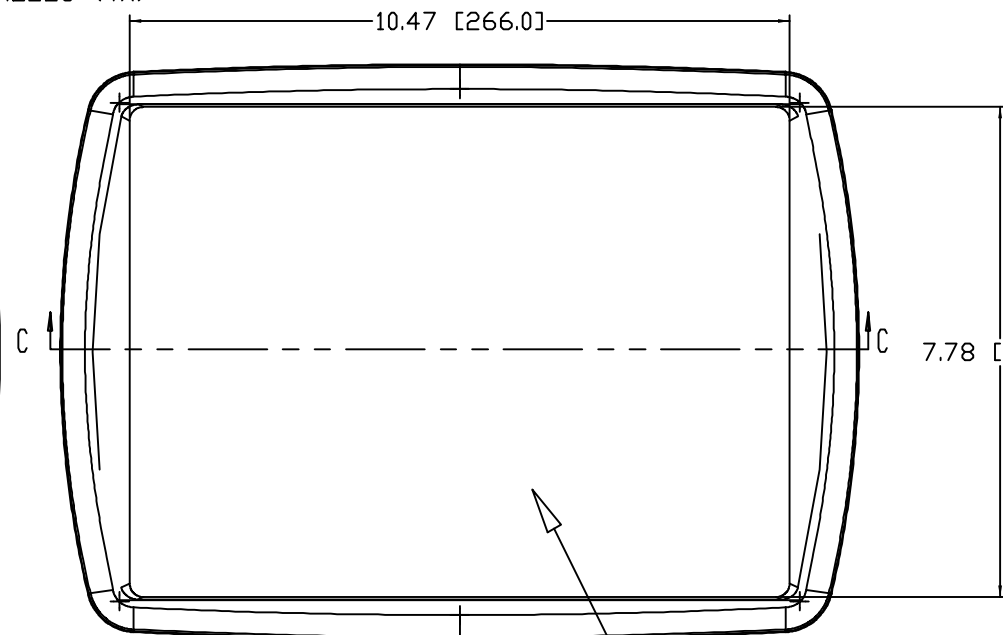
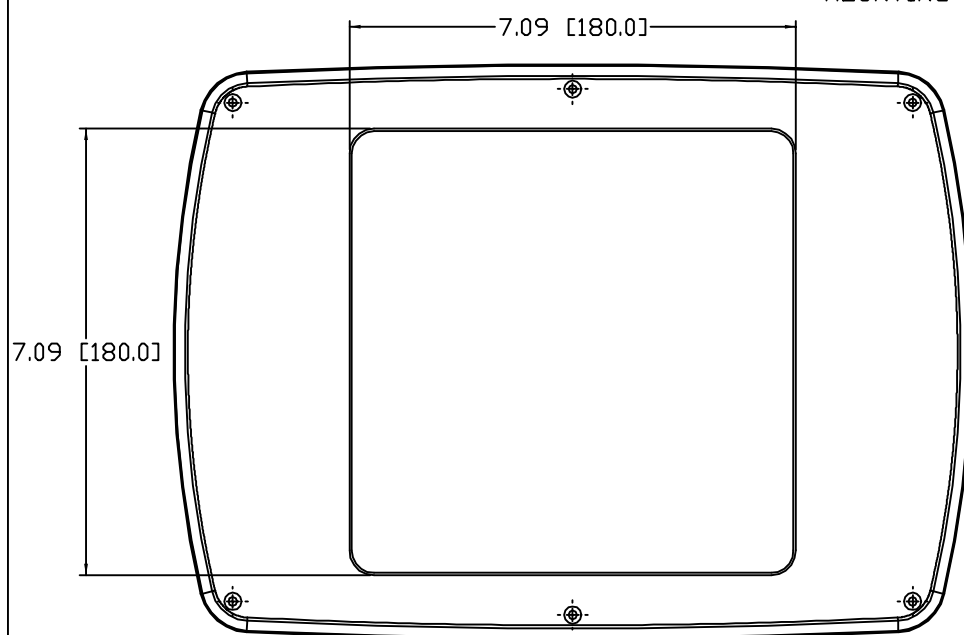
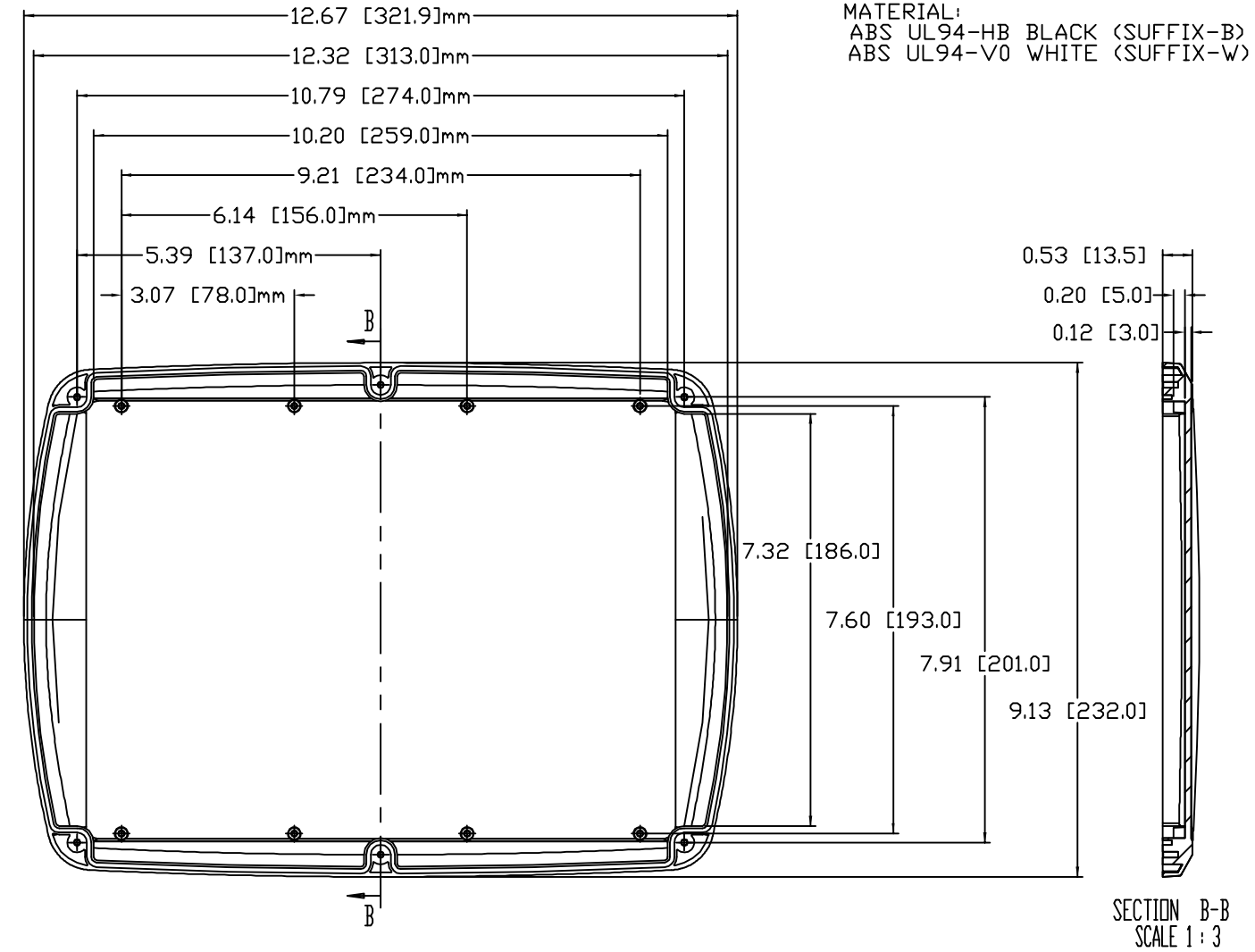
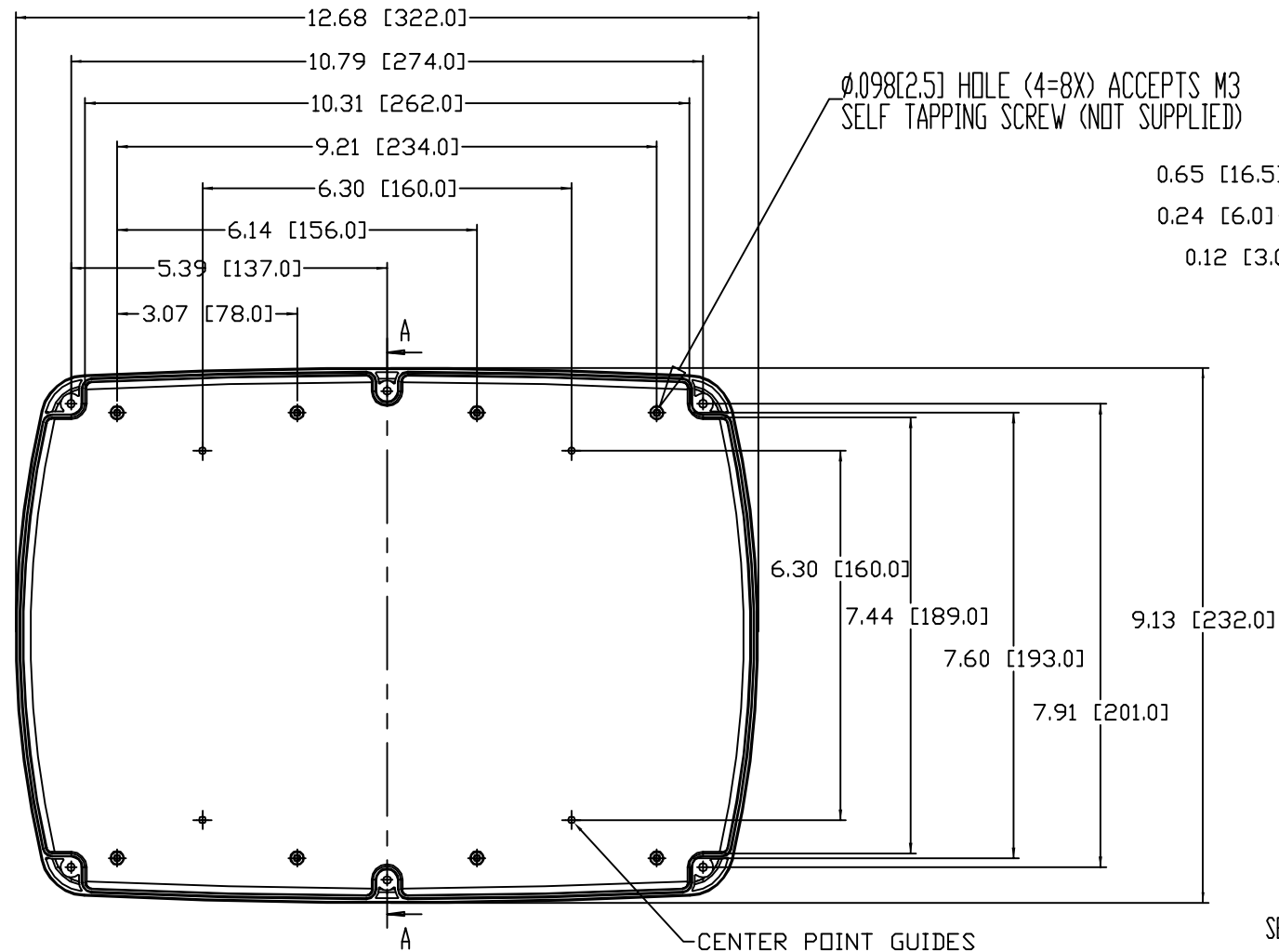
PART No.

TB-32614-B & TB-32614-W

REV. DATE

2-23-13

MATERIAL:
ABS UL94-HB BLACK (SUFFIX-B)
ABS UL94-V0 WHITE (SUFFIX-W)



CENTER POINT GUIDES FOR DRILLING WALL MOUNTING HOLES (4X)

RECESSED AREA ACCEPTS 10.40[264.16] LCD MODULE OR TOUCHSCREEN

- NOTES:
- 1.) SIX (6) M3 X .63[16] LG. SELF-TAPPING SCREWS SUPPLIED FOR ASSEMBLY
 - 2.) FOUR (4) ADD-ON RUBBER FEET SUPPLIED
 - 3.) ALL HOLE DIAMETERS HAVE +/- .005[.13] TOLERANCE
ALL OTHER DIMENSIONS HAVE +/- .015[.38] TOLERANCE
 - 4.) DIMENSIONS ARE INCH[MILLIMETER]-THIRD ANGLE PROJECTION
 - 5.) OPTIONAL SILICONE SPONGE GASKET #TB-32614-GSK AVAILABLE

Mouser Electronics

Authorized Distributor

Click to View Pricing, Inventory, Delivery & Lifecycle Information:

[Bud Industries:](#)

[TB-32614-W](#) [TB-32614-B](#) [TBG-32614-B](#) [TBG-32614-W](#)