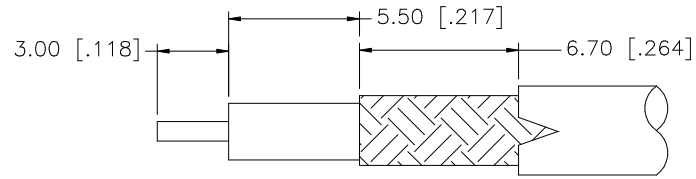
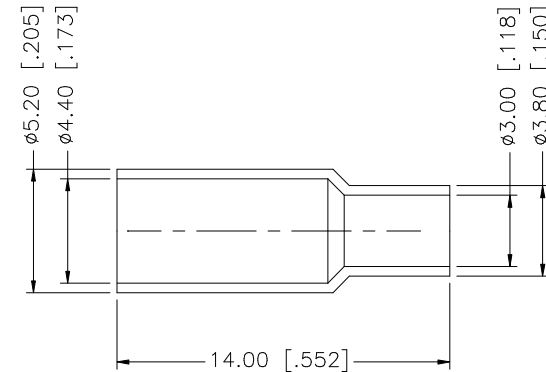
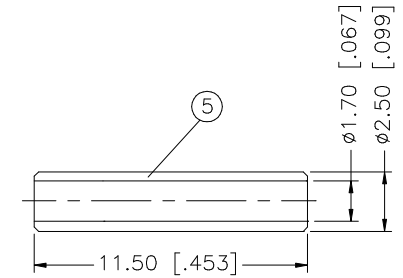
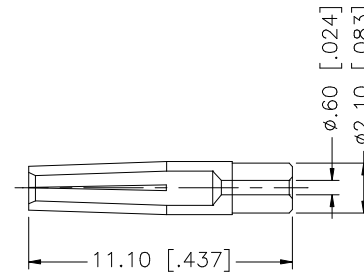
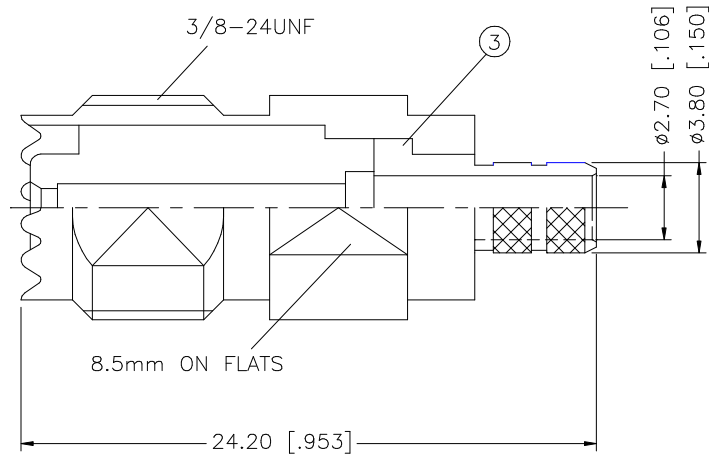


REV.	DATE	DESCRIPTION
NC	02/23/98	INITIAL RELEASE
A	11/13/06	UPDATE DRAWING FORMAT



RECOMMENDED  
CABLE STRIPPING DIM'S



8				
7				
6	FERRULE	BRASS	NICKEL	1
5	INSULATOR	DELTRIN	NATURAL	1
4	CONTACT PIN	PHOS. BRONZE	GOLD	1
3	INSULATOR	DELTRIN	NATURAL	1
2	BARREL	BRASS	NICKEL	1
1	BODY	DIE CAST	NICKEL	1
	DESCRIPTION	MATERIAL	FINISH	QTY

UNLESS OTHERWISE SPECIFIED DIMENSIONS ARE IN MILLIMETERS. DIMENSIONS IN [ ] ARE IN INCHES AND FOR CUSTOMER REFERENCE ONLY.

UNLESS OTHERWISE SPECIFIED TOLERANCES FOR MILLIMETERS ARE:  
0.5 - 8mm ± 0.20mm  
8 - 30mm ± 0.40mm  
30 - 120mm ± 0.50mm

UNLESS OTHERWISE SPECIFIED TOLERANCES FOR INCHES ARE:  
.020 - .315 = ± 0.007"  
.315 - 1.180 = ± 0.015"  
1.180 - 4.724 = ± 0.020"

DO NOT SCALE DRAWING

APPROVALS	DATE
DRAWN G.R.S.	11/13/06
CHECKED	
ISSUED	
SHEET 1 OF 1	
CAD FILE	C:/182/182117.DWG

# Amphenol Connex

PART DESCRIPTION

MINI-UHF CRIMP JACK  
(RG-174/U, 316/U, CABLE)

PART NO.

182117

DWG. NO.

182117.DWG

REV. A

SIZE A

SCALE NA

# Mouser Electronics

Authorized Distributor

Click to View Pricing, Inventory, Delivery & Lifecycle Information:

[Amphenol:](#)

[182117](#)