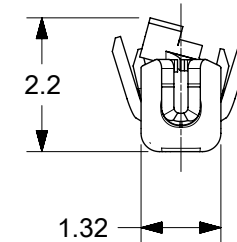
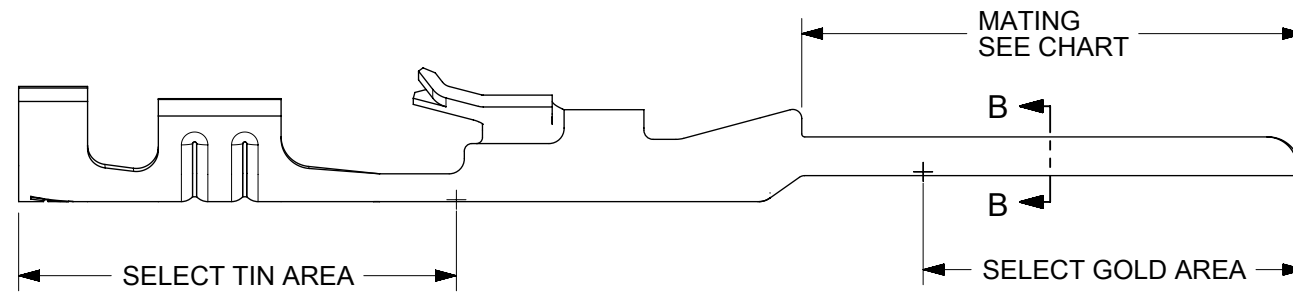
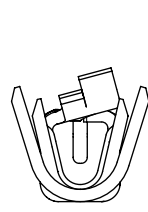


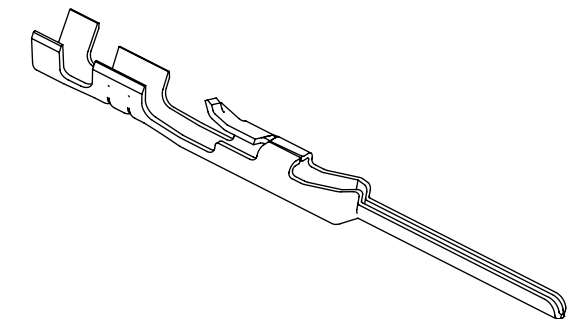
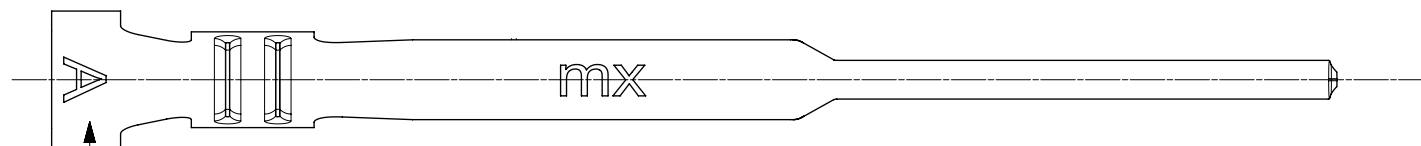
NOTES:

1. MATERIAL: 0.20 THICK PHOS BRONZE
2. FINISH:
OVERALL TIN: 3.8 MICROMETERS MIN OVER NICKEL
207 = SELECT GOLD IN AREA SHOWN: 0.38 MICROMETERS MIN
SELECT TIN IN AREA SHOWN: 2.0 MICROMETERS MIN BOTH OVER NICKEL
206 = SELECT GOLD IN AREA SHOWN: 0.75 MICROMETERS MIN
SELECT TIN IN AREA SHOWN: 2.0 MICROMETERS MIN BOTH OVER NICKEL
3. PRODUCT SPECIFICATION: PS-70021
4. TERMINALS FOR USE WITH HOUSING SERIES: 70066 AND 70107



PLATING NOT REQUIRED
ON INSIDE AREA

SECTION B-B
BACKGROUND
OMITTED



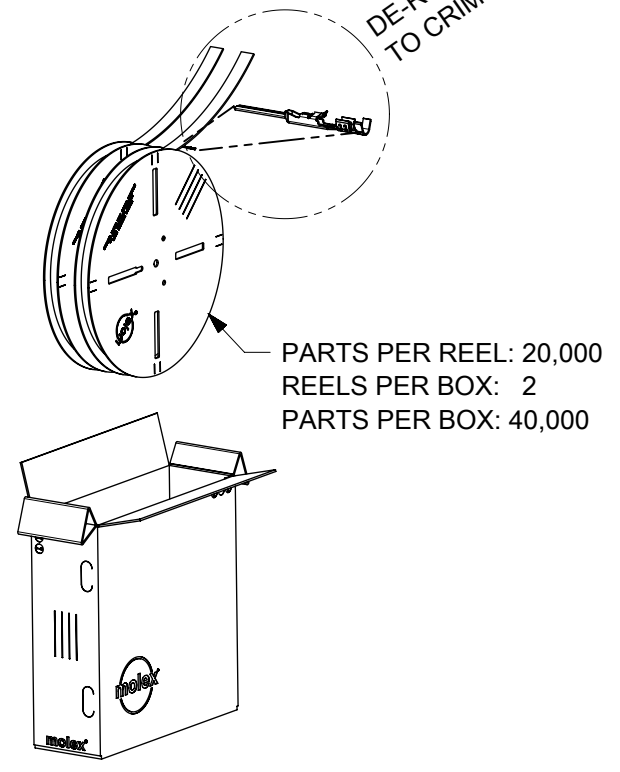
SYMBOLS	THIS DRAWING CONTAINS INFORMATION THAT IS PROPRIETARY TO MOLEX ELECTRONIC TECHNOLOGIES, LLC AND SHOULD NOT BE USED WITHOUT WRITTEN PERMISSION		
	DIMENSION UNITS	SCALE	CURRENT REV DESC: ADD PK SPEC
	mm	5:1	
	GENERAL TOLERANCES (UNLESS SPECIFIED)		
▽ = 0	ANGULAR TOL ± °	EC NO: 601066	
▽ = 0	4 PLACES ±	DRWN: KSAMIEC 2018/07/05	
▽ = 0	3 PLACES ±	CHK'D: MKIPPER 2018/07/13	
▽ = 0	2 PLACES ± 0.25	APPR: FSMITH 2018/07/24	PRODUCT CUSTOMER DRAWING
▽ = 0	1 PLACE ± 0.35	INITIAL REVISION:	DOCUMENT NUMBER
▽ = 0	0 PLACES ± 0.0	DRWN: KSAMIEC 2017/09/01	700210000-SD
▽ = 0	DRAFT WHERE APPLICABLE MUST REMAIN WITHIN DIMENSIONS	APPR: FSMITH 2017/09/12	DOC TYPE DOC PART REVISION
▽ = 0		THIRD ANGLE PROJECTION	PSD 000 A4
		DRAWING	MATERIAL NUMBER
		SERIES	CUSTOMER
		B-SIZE 70021	SHEET NUMBER
			1 OF 2

TERMINAL STAMPED WITH LETTER "A" FOR USE WITH 24-30 AWG WIRE								
MATERIAL NO	ENGINEERING NO	PACKING	PLATING	LENGTH	MATING	STAMPED LETTER	WIRE SIZE	MAX INS. DIA
16020105	70021-0004	REEL	OVERALL TIN	21.39	8.43	A	24-30 AWG	1.52
16020108	70021-0204	LOOSE						
16020077	70021-0006	REEL	207 = 0.38 GOLD					
16020109	70021-0206	LOOSE						
16020078	70021-0008	REEL	206 = 0.75 GOLD					
16020110	70021-0208	LOOSE						

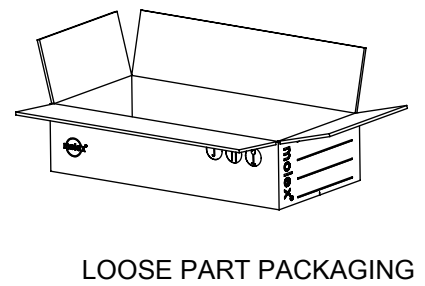
TERMINAL STAMPED WITH LETTER "C" FOR USE WITH 22-24 AWG WIRE								
MATERIAL NO	ENGINEERING NO	PACKING	PLATING	LENGTH	MATING	STAMPED LETTER	WIRE SIZE	MAX INS. DIA
16020107	70021-0021	REEL	OVERALL TIN	21.39	8.43	C	22-24 AWG	1.63
16020114	70021-0221	LOOSE						
16020081	70021-0023	REEL	207 = 0.38 GOLD					
16020115	70021-0223	LOOSE						
16020116	70021-0025	REEL	206 = 0.75 GOLD					
16020117	70021-0225	LOOSE						
700210117	70021-0117							
700210081	NA	NA	207 = 0.38 GOLD					
700211021	NA	NA	OVERALL TIN	19.61	6.65			

TERMINAL STAMPED WITH LETTER "B" FOR USE WITH 32-36 AWG WIRE								
MATERIAL NO	ENGINEERING NO	PACKING	PLATING	LENGTH	MATING	STAMPED LETTER	WIRE SIZE	MAX INS. DIA
16020106	70021-0013	REEL	OVERALL TIN	21.39	8.43	B	32-36 AWG	0.64
16020111	70021-0213	LOOSE						
16020079	70021-0015	REEL	207 = 0.38 GOLD					
16020112	70021-0215	LOOSE						
16020080	70021-0017	REEL	206 = 0.75 GOLD					
16020113	70021-0217	LOOSE						

REELED PART PACKAGING



PARTS PER BAG: 6,000
BAGS PER BOX: 2
PARTS PER BOX: 12,000



SYMBOLS	THIS DRAWING CONTAINS INFORMATION THAT IS PROPRIETARY TO MOLEX ELECTRONIC TECHNOLOGIES, LLC AND SHOULD NOT BE USED WITHOUT WRITTEN PERMISSION											
	DIMENSION UNITS		SCALE		CURRENT REV DESC: ADD PK SPEC						molex	
	mm		1:10									
	GENERAL TOLERANCES (UNLESS SPECIFIED)										SL MALE CRIMP TERMINAL	
	ANGULAR TOL		± °		EC NO: 601066							
	4 PLACES		±		DRWN: KSAMIEC 2018/07/05							
	3 PLACES		±		CHK'D: MKIPPER 2018/07/13							
	2 PLACES		± 0.25		APPR: FSMITH 2018/07/24							
	1 PLACE		± 0.35		INITIAL REVISION:							
	0 PLACES		± 0.0		DRWN: KSAMIEC 2017/09/01							
DRAFT WHERE APPLICABLE MUST REMAIN WITHIN DIMENSIONS		THIRD ANGLE PROJECTION		DRAWING		SERIES		MATERIAL NUMBER		CUSTOMER		
		B-SIZE		70021		700210000-SD		PSD 000		A4		
										2 OF 2		