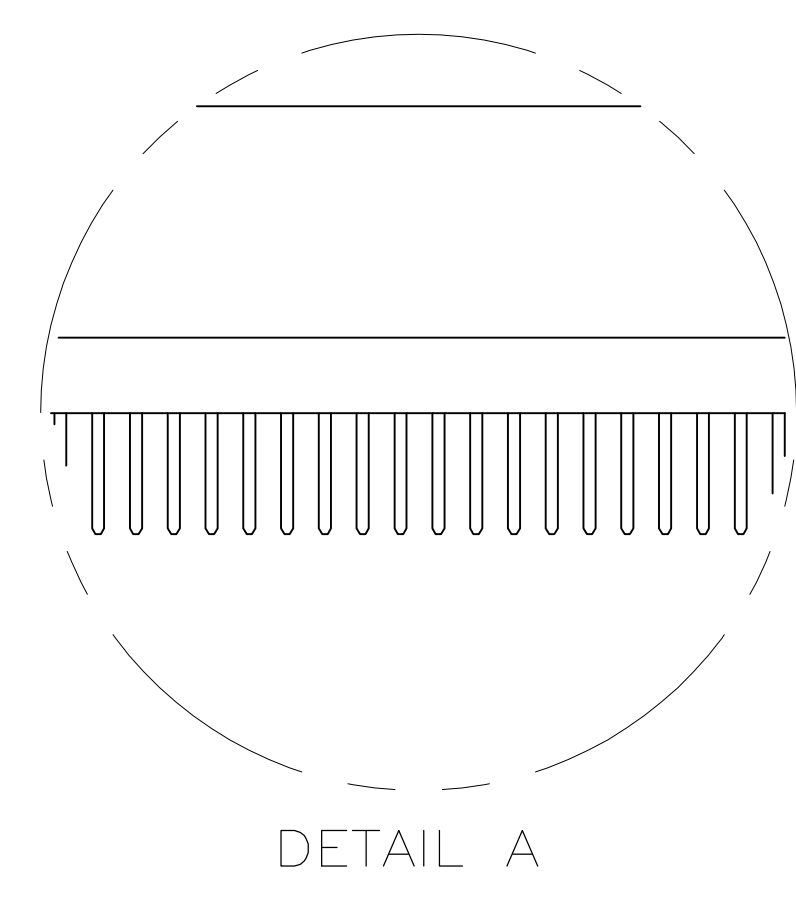
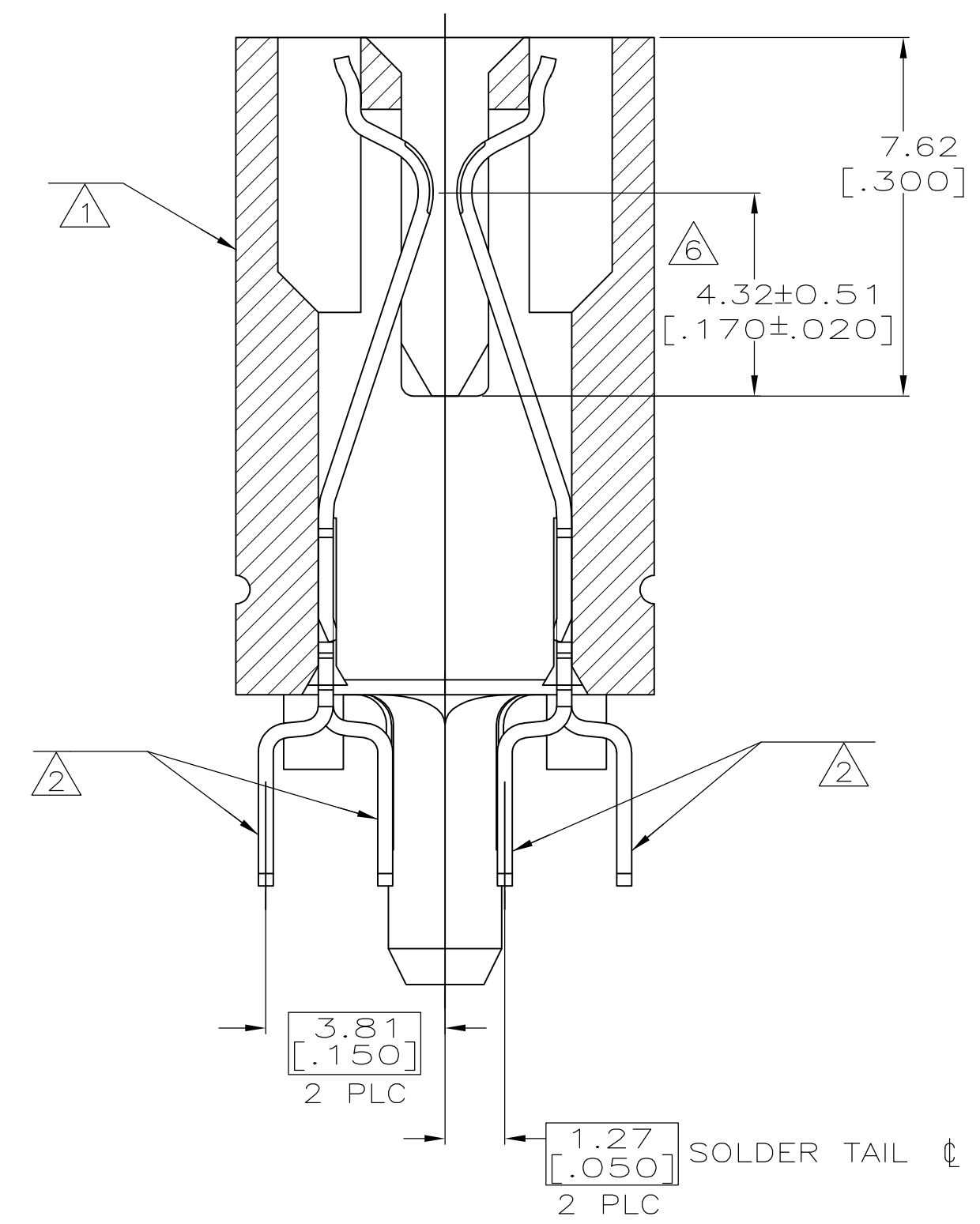


SEE SHEET 2 FOR HOLE PATTERN



- ① HOUSING: HIGH TEMPERATURE THERMOPLASTIC. COLOR - NATURAL
- ② CONTACT: PHOSPHOR BRONZE.
- ③ CONTACT FINISH: .001269[.000050] MIN NICKEL ALL OVER. GOLD FLASH OVER NICKEL IN CONTACT AREA. .002537[.000100] MIN TIN-LEAD OVER NICKEL ON SOLDER TAILS.
- ④ CONTACT FINISH: .001269[.000050] MIN NICKEL ALL OVER. .000375[.000015] MIN GOLD OVER NICKEL IN CONTACT AREA. .002537[.000100] MIN TIN-LEAD OVER NICKEL ON SOLDER TAILS.
- ⑤ CONTACT FINISH: .001269[.000050] MIN NICKEL ALL OVER. .000757[.000030] MIN GOLD OVER NICKEL IN CONTACT AREA. .002537[.000100] MIN TIN-LEAD OVER NICKEL ON SOLDER TAILS.
- ⑥ DISTANCE FROM CONTACT POINT TO BOTTOM OF CARD SLOT.
- ⑦ AMP PART NUMBER, DATE CODE AND CSA LOGO SHOULD BE MARKED ON THE SIDE OF THE HOUSING NEAR THE AMP LOGO.
- ⑧ CORED OR SOLID SIDE WALLS ARE AT DISCRETION OF AMP INCORPORATED.



SUPERSEDED BY 145154-4  
OBSOLETE

3.56 [.140]	①	1-145154-2
3.18 [.125]	②	145154-8
2.54 [.100]	③	145154-4
2.54 [.100]	④	145154-3
2.54 [.100]	⑤	145154-2
2.54 [.100]	⑥	145154-1
W	FINISH	PART NUMBER

THIS DRAWING IS A CONTROLLED DOCUMENT.		DMN R BROWN 6/9/95	APVD	
DIMENSIONS: mm		CHK M BOWERS 6/9/95	NAME	
TOLERANCES UNLESS OTHERWISE SPECIFIED:		PRODUCT SPEC 108-14034		
0 PLC ± -		APPLICATION SPEC 114-26012		
1 PLC ± -		SIZE CAGE CODE DRAWING NO. RESTRICTED TO		
2 PLC ± 0.25 [.01]		A1 00779 145154		
3 PLC ± 0.127 [.005]		WEIGHT		
4 PLC ± -		CUSTOMER DRAWING SCALE 4:1 SHEET 1 OF 2 REV G1		
ANGLES ± -		MATERIAL		
FINISH		FINISH		

STE TE Connectivity

CONNECTOR ASSEMBLY, 60 DUAL POSITION, 1.27 [.050] SERIES.



# Mouser Electronics

Authorized Distributor

Click to View Pricing, Inventory, Delivery & Lifecycle Information:

[TE Connectivity:](#)

[1-145154-2](#)