

**TABLE 2**

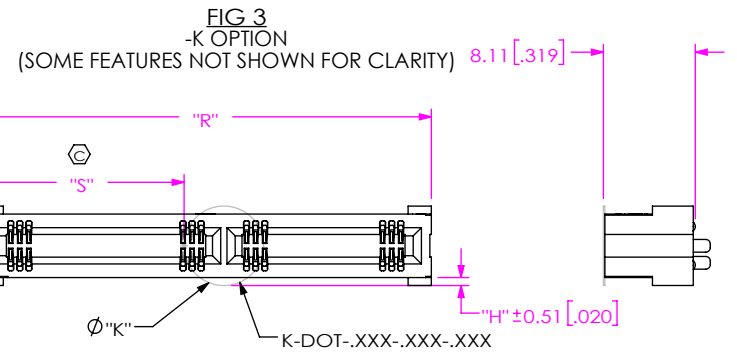
No OF POS	"A"	"B"	"C"	"D"	"G"
■**-09	4.50 [.177]	3	2.400 [.0945]	11.80 [.465]	5.30 [.209]
**13	6.10 [.240]	5	4.000 [.1575]	15.00 [.591]	6.90 [.272]
**25	6.10 [.240]	5	4.000 [.1575]	24.60 [.969]	16.50 [.650]
**37	18.10 [.713]	20	16.000 [.6299]	34.20 [1.346]	14.10 [.555]
-40	18.90 [.744]	21	16.800 [.6614]	36.60 [1.441]	15.70 [.618]
**49	22.90 [.902]	26	20.800 [.8189]	43.80 [1.724]	18.90 [.744]
-50	22.90 [.902]	26	20.800 [.8189]	44.60 [1.756]	19.70 [.776]
-60	26.90 [1.059]	31	24.800 [.9764]	52.60 [2.071]	23.70 [.933]
-70	26.90 [1.059]	31	24.800 [.9764]	60.60 [2.386]	31.70 [1.248]
-80	26.90 [1.059]	31	24.800 [.9764]	68.60 [2.701]	39.70 [1.563]
-90	26.90 [1.059]	31	24.800 [.9764]	76.60 [3.016]	47.70 [1.878]
-100	26.90 [1.059]	31	24.800 [.9764]	84.60 [3.331]	55.70 [2.193]

\*\* = AVAILABLE ONLY WITH -01 CARD THICKNESS

**FIG 2**  
FOR POSITIONS ■\*\*-09, \*\*13, \*\*25, \*\*37, -40, \*\*49, -50, -60, -70, -80, -90, -100 HSEC8-160-01-XX-DV-A SHOWN (DIFFERENT AS SHOWN, OTHERWISE SAME AS FIG 1) (SOME FEATURES NOT SHOWN FOR CLARITY)

(\*\* = AVAILABLE ONLY WITH -01 CARD THICKNESS)

■ = AVAILABLE ONLY WITH END OPTIONS -BL, -WT & -L2



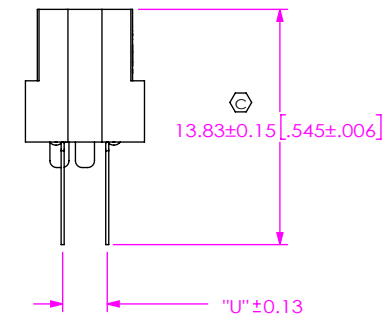
**TABLE 3**

OPTION 2	No OF POS	"R"	"S"
NONE	-10 THRU -30	(No OF POS x 0.800[.0315]) + 4.600[.1811] REF	((("R" - "K") / 2) + /-0.51 [0.20])
	-13, -25, -37, -40 THRU -100	(No OF POS x 0.800[.0315]) + 7.800[.3071] REF	
-WT	-10 THRU -30	(No OF POS x 0.800[.0315]) + 9.200[.3622] REF	
	-09, -13, -25, -37, -40 THRU -100	(No OF POS x 0.800[.0315]) + 12.400[.4882] REF	
**L	-13, -25, -37, & -49	(No OF POS x 0.800[.0315]) + 18.400[.7244] REF	
	-10 THRU -30	(No OF POS x 0.800[.0315]) + 15.850[.6240] REF	
**BL	-09, -13, -25, -37, -40 THRU -100	(No OF POS x 0.800[.0315]) + 19.050[.7500] REF	
	-10, -13, & -20	(No OF POS x 0.800[.0315]) + 7.000 [.2756] REF	
**PE	-10, -20, -30	(No OF POS x 0.800[.0315]) + 4.600[.1811] REF	
	-40, -50, -60	(No OF POS x 0.800[.0315]) + 7.800[.3071] REF	
**L2	-09, -13, -25, -49	(No OF POS x 0.800[.0315]) + 13.660[.5378] REF	

\*\* = AVAILABLE ONLY WITH -01 CARD THICKNESS

**TABLE 6**

CARD THICKNESS	K-DOT-.XXX-.XXX-.XXX	"K"	"U"	"H"
-01	K-DOT-.276-.375-.005	7.01 [.276]	2.61 [.103]	0.705 [.0278]
-03	K-DOT-.246-.375-.005	6.25 [.246]	3.40 [.134]	0.070 [.0027]



IN-PROCESS

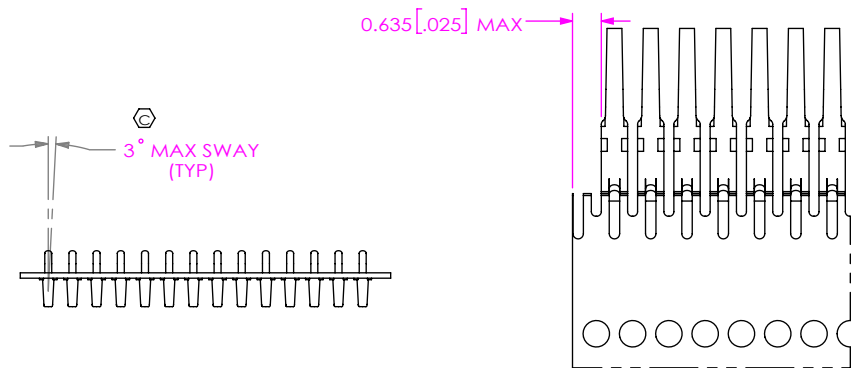
**PROPRIETARY NOTE**  
THIS DOCUMENT CONTAINS CONFIDENTIAL AND PROPRIETARY INFORMATION AND ALL DESIGN, MANUFACTURING, REPRODUCTION, USE, PATENT RIGHTS AND SALES RIGHTS ARE EXPRESSLY RESERVED BY SAMTEC, INC. THIS DOCUMENT SHALL NOT BE DISCLOSED, IN WHOLE OR PART, TO ANY UNAUTHORIZED PERSON OR ENTITY NOR REPRODUCED, TRANSFERRED OR INCORPORATED IN ANY OTHER PROJECT IN ANY MANNER WITHOUT THE EXPRESS WRITTEN CONSENT OF SAMTEC, INC.

DO NOT SCALE DRAWING  
SHEET SCALE: 2.25:1



520 PARK EAST BLVD, NEW ALBANY, IN 47150  
PHONE: 812-944-6733 FAX: 812-948-5047  
e-Mail: info@SAMTEC.com code: 55322

DESCRIPTION:  
0.8mm HIGH SPEED EDGE CARD ASSEMBLY  
DWG. NO.  
**HSEC8-1XXX-XX-XX-DV-X-XX**  
BY: BRATCHER 01/24/03 SHEET 2 OF 8



C-188-XXX-X IN-PROCESS VIEW

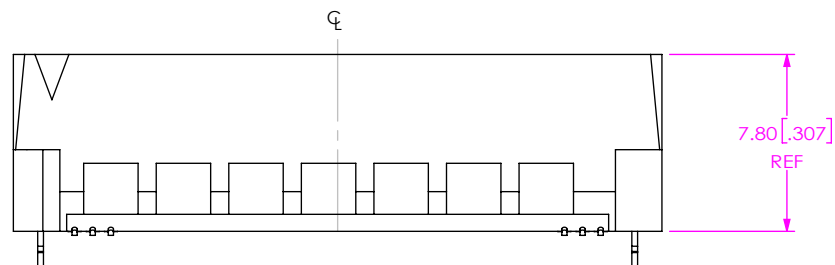


FIG 10  
 \*\*NON-ALIGNMENT PIN OPTION  
 HSEC8-130-01-XX-DV SHOWN  
 (DIFFERENT AS SHOWN, OTHERWISE SAME AS FIG 1)  
 (\*\* = AVAILABLE ONLY WITH -01 CARD THICKNESS)  
 (SOME FEATURES NOT SHOWN FOR CLARITY)

TABLE 9

CARD	OPTION 2	BODY	CONTACT	"P"	"Q"	"T"	"V"	"W"	"Y"
-01	-L	RHSEC8-XXX-01-DV-A-L	C-188-02-X	1.75[.069]	5.60[.220]	7.00[.276]	0.56[.022]	5.60[.220]	4.26[.168]
	-L2	RHSEC8-XXX-01-DV-A-L2	C-188-02-X					5.60[.220]	
	-BL	RHSEC8-XXX-01-DV-A-BL	C-188-02-X					5.60[.220]	
	-GR	RHSEC8-XXX-01-DV-XX-GR	C-188-02-X					5.60[.220]	
	-PE	HSEC8-XXX-01-DV-A-PE	C-188-01-X					4.60[.180]	
	-WT	RHSEC8-XXX-01-DV-A-WT	C-188-02-X					5.60[.220]	
	NONE	RHSEC8-XXX-01-DV-XX	C-188-02-X	5.60[.220]					
-03	NONE	RHSEC8-XXX-03-DV-A	C-188-02-X	2.54[.100]	6.39[.252]	7.79[.307]	1.35[.053]	6.39[.252]	5.05[.199]
	-WT	RHSEC8-XXX-03-DV-A-WT	C-188-02-X						

**PROPRIETARY NOTE**  
 THIS DOCUMENT CONTAINS CONFIDENTIAL AND PROPRIETARY INFORMATION AND ALL DESIGN, MANUFACTURING, REPRODUCTION, USE, PATENT RIGHTS AND SALES RIGHTS ARE EXPRESSLY RESERVED BY SAMTEC, INC. THIS DOCUMENT SHALL NOT BE DISCLOSED, IN WHOLE OR IN PART, TO ANY UNAUTHORIZED PERSON OR ENTITY NOR REPRODUCED, TRANSFERRED OR INCORPORATED IN ANY OTHER PROJECT IN ANY MANNER WITHOUT THE EXPRESS WRITTEN CONSENT OF SAMTEC, INC.

DO NOT SCALE DRAWING

SHEET SCALE: 2:1

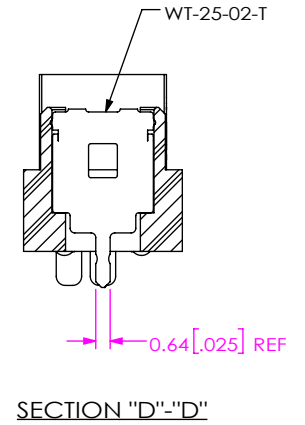
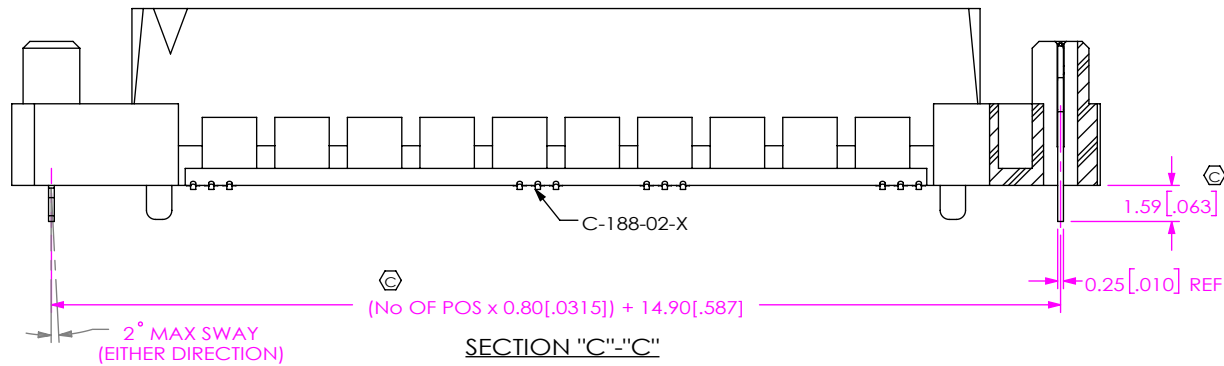
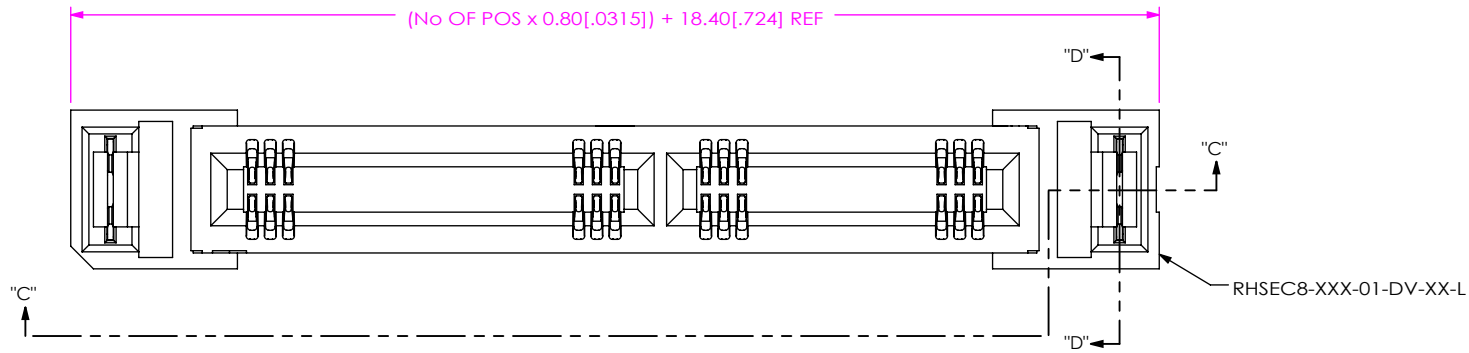


520 PARK EAST BLVD, NEW ALBANY, IN 47150  
 PHONE: 812-944-6733 FAX: 812-948-5047  
 e-Mail info@SAMTEC.com code 55322

DESCRIPTION:  
 0.8mm HIGH SPEED EDGE CARD ASSEMBLY

DWG. NO.  
 HSEC8-1 XXX-XX-XX-DV-X-XX

BY: BRATCHER 01/24/03 SHEET 3 OF 8



**FIG 4**  
**\*\*L: LATCHING OPTION**  
 HSEC8-137-01-XX-DV-A-L SHOWN  
 AVAILABLE IN -13, -25, -37 & -49 POSITIONS ONLY  
 (NOT AVAILABLE FOR -GR TYPE USE)  
 (DIFFERENT AS SHOWN, OTHERWISE SAME AS FIG 2)  
 (SOME FEATURES NOT SHOWN FOR CLARITY)  
 (\*\* = AVAILABLE ONLY WITH -01 CARD THICKNESS)

**PROPRIETARY NOTE**  
 THIS DOCUMENT CONTAINS CONFIDENTIAL AND PROPRIETARY INFORMATION AND ALL DESIGN, MANUFACTURING, REPRODUCTION, USE, PATENT RIGHTS AND SALES RIGHTS ARE EXPRESSLY RESERVED BY SAMTEC, INC. THIS DOCUMENT SHALL NOT BE DISCLOSED, IN WHOLE OR PART, TO ANY UNAUTHORIZED PERSON OR ENTITY NOR REPRODUCED, TRANSFERRED OR INCORPORATED IN ANY OTHER PROJECT IN ANY MANNER WITHOUT THE EXPRESS WRITTEN CONSENT OF SAMTEC, INC.

DO NOT SCALE DRAWING

SHEET SCALE: 3:1

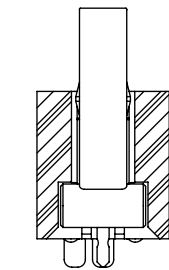
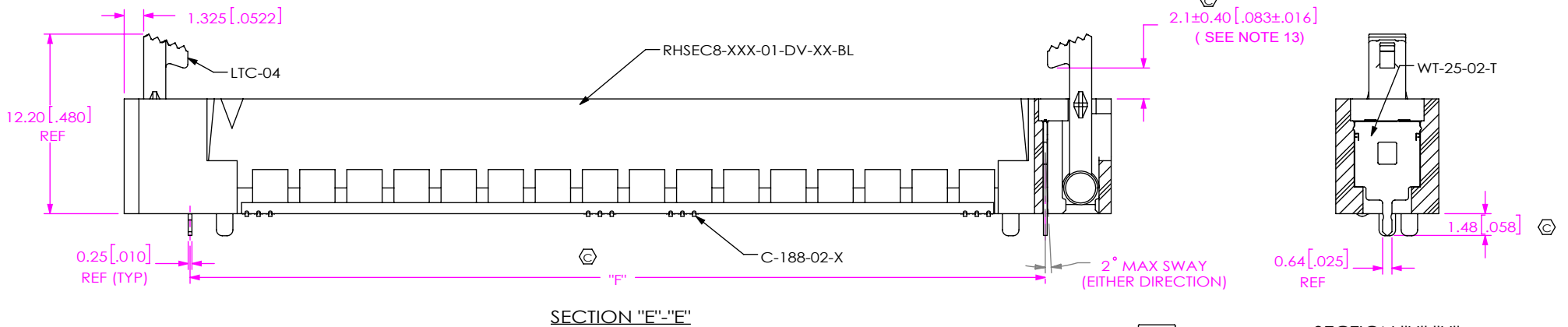
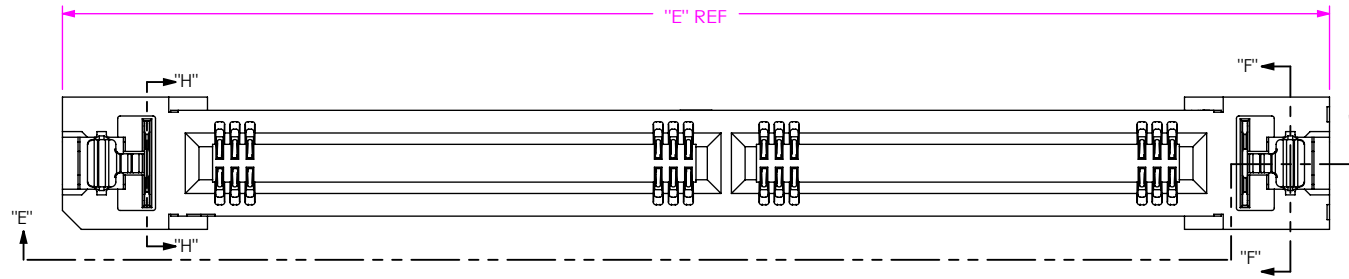
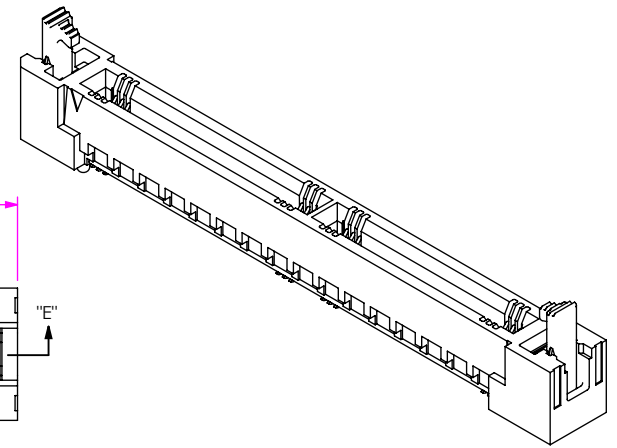


520 PARK EAST BLVD, NEW ALBANY, IN 47150  
 PHONE: 812-944-6733 FAX: 812-948-5047  
 e-Mail: info@SAMTEC.com code: 55322

DESCRIPTION:  
 0.8mm HIGH SPEED EDGE CARD ASSEMBLY

DWG. NO.  
**HSEC8-1XXX-XX-XX-DV-X-XX**

BY: BRATCHER 01/24/03 SHEET 4 OF 8



SECTION "E"-"E"

SECTION "H"-"H"

SECTION "F"-"F"

**TABLE 4**

No OF POSITIONS	"E"	"F"
-09	26.25 [1.033]	17.30 [0.681]
-10	23.85 [0.939]	14.90 [0.587]
-13	29.45 [1.159]	20.50 [0.807]
-20	31.85 [1.254]	22.90 [0.902]
-25	39.05 [1.537]	30.10 [1.185]
-30	39.85 [1.569]	30.90 [1.217]
-37	48.65 [1.915]	39.70 [1.563]
-40	51.05 [2.010]	42.10 [1.657]
-49	58.25 [2.293]	49.30 [1.941]
-50	59.05 [2.325]	50.10 [1.972]
-60	67.05 [2.640]	58.10 [2.287]
-70	75.05 [2.955]	66.10 [2.602]
-80	83.05 [3.270]	74.10 [2.917]
-90	91.05 [3.585]	82.10 [3.232]
-100	99.05 [3.900]	90.10 [3.547]

**FIG 5**  
 \*\*-BL: BOARD LOCK OPTION  
 HSEC8-160-01-XX-DV-A-BL SHOWN  
 (NOT AVAILABLE FOR -GR TYPE USE)  
 (FOR -09, -13, -25, 37, -40, -49, -50, -60, -70, -80, -90 & -100  
 POSITIONS DIFFERENT AS SHOWN, OTHERWISE SAME AS FIG 2)  
 (FOR -10, -20 & -30 POSITIONS DIFFERENT AS SHOWN,  
 OTHERWISE SAME AS FIG 1)  
 (\*\* = AVAILABLE ONLY WITH -01 CARD THICKNESS)  
 (SOME FEATURES NOT SHOWN FOR CLARITY)  
 (AVAILABLE IN ALL POSITIONS)

**PROPRIETARY NOTE**  
 THIS DOCUMENT CONTAINS CONFIDENTIAL AND  
 PROPRIETARY INFORMATION AND ALL DESIGN,  
 MANUFACTURING, REPRODUCTION, USE, PATENT RIGHTS  
 AND SALES RIGHTS ARE EXPRESSLY RESERVED BY SAMTEC,  
 INC. THIS DOCUMENT SHALL NOT BE DISCLOSED, IN WHOLE  
 OR PART, TO ANY UNAUTHORIZED PERSON OR ENTITY NOR  
 REPRODUCED, TRANSFERRED OR INCORPORATED IN ANY  
 OTHER PROJECT IN ANY MANNER WITHOUT THE EXPRESS  
 WRITTEN CONSENT OF SAMTEC, INC.

DO NOT SCALE DRAWING

SHEET SCALE: 2.5:1



520 PARK EAST BLVD, NEW ALBANY, IN 47150  
 PHONE: 812-944-6733 FAX: 812-948-5047  
 e-Mail: info@SAMTEC.com code: 55322

DESCRIPTION:  
 0.8mm HIGH SPEED EDGE CARD ASSEMBLY

DWG. NO.  
**HSEC8-1XXX-XX-XX-DV-X-XX**

BY: BRATCHER 01/24/03 SHEET 5 OF 8

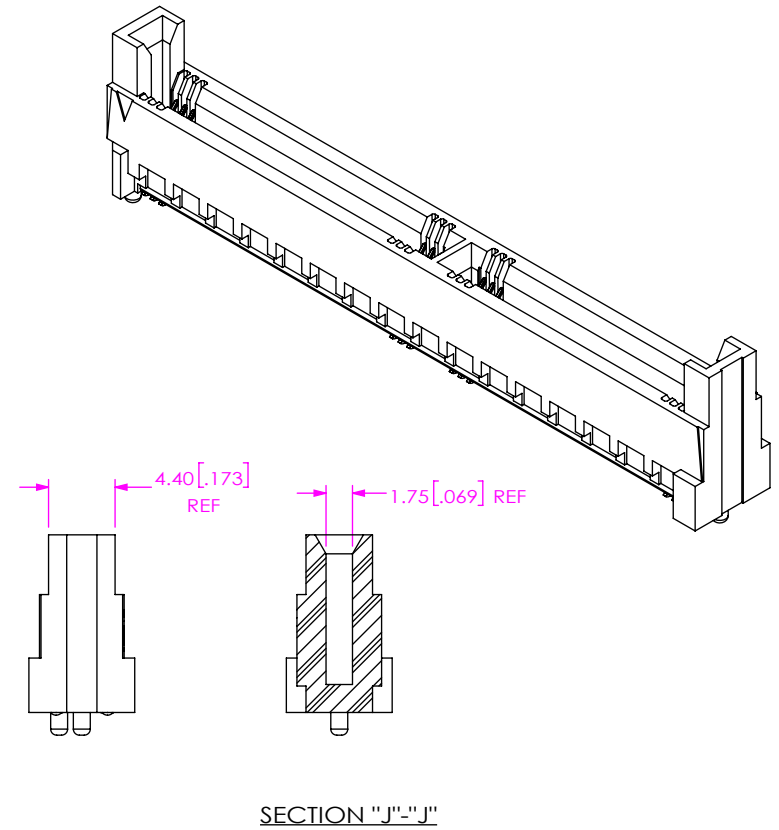
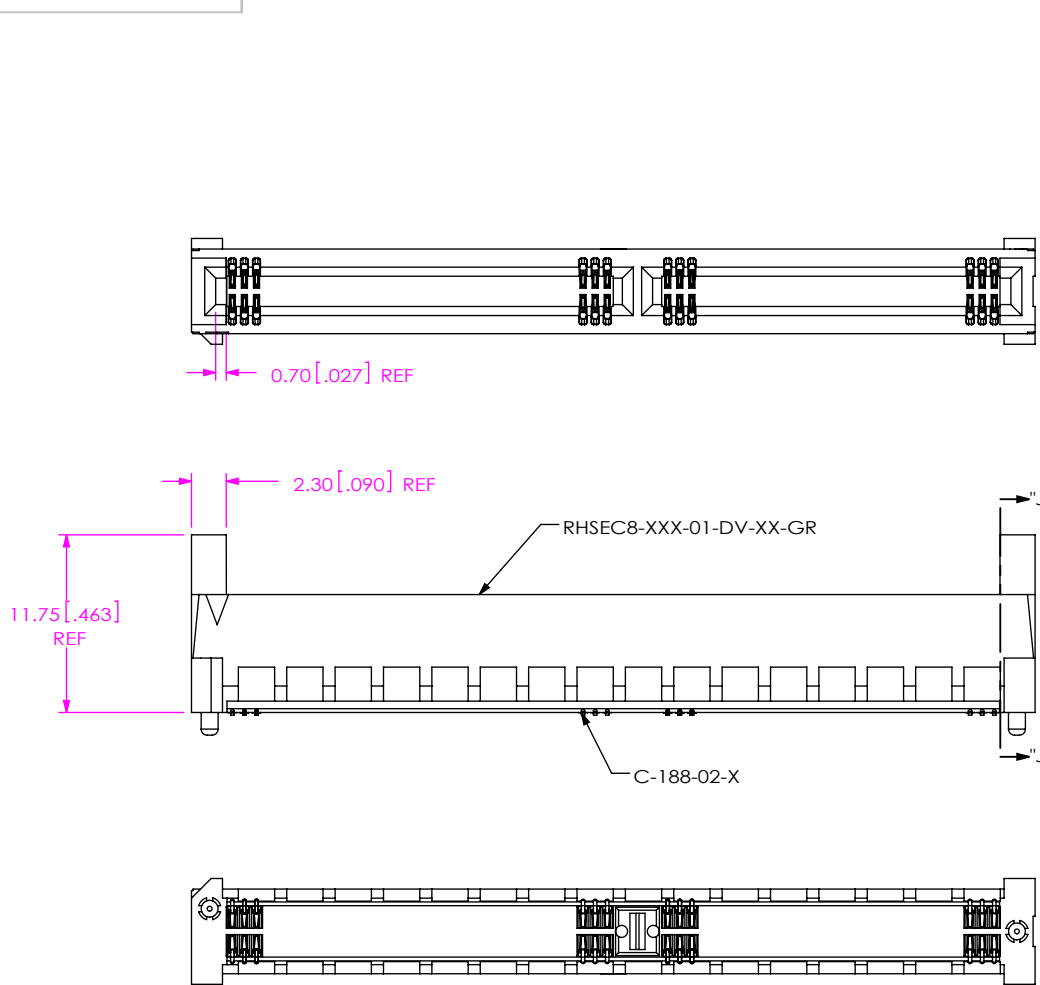


FIG 6  
 \*\*GR: GUIDE RAILS OPTION  
 HSEC8-160-01-XX-DV-A-GR SHOWN  
 AVAILABLE IN -10, -20, -30, -40, -50, & -60 POSITIONS ONLY  
 (NOT AVAILABLE FOR -L; -BL TYPE USE)  
 (DIFFERENT AS SHOWN, OTHERWISE SAME AS FIG 2)  
 (SOME FEATURES NOT SHOWN FOR CLARITY)  
 (\*\* = AVAILABLE ONLY WITH -01 CARD THICKNESS)

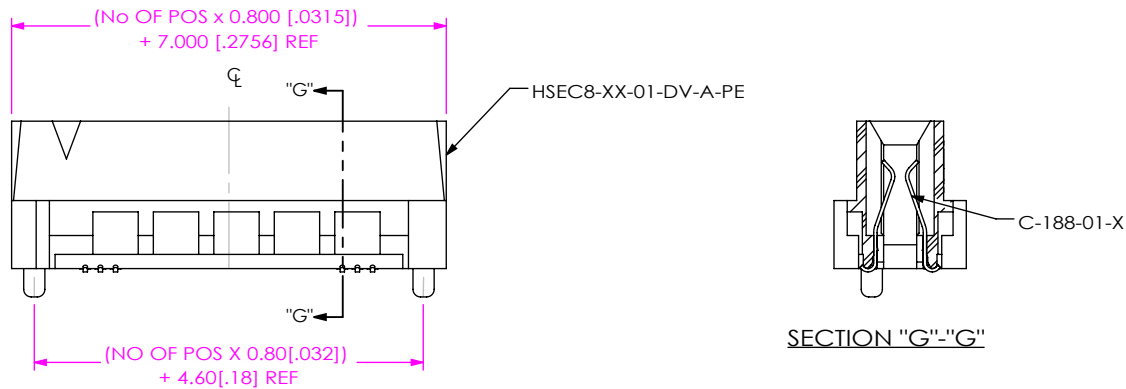
**PROPRIETARY NOTE**  
 THIS DOCUMENT CONTAINS CONFIDENTIAL AND PROPRIETARY INFORMATION AND ALL DESIGN, MANUFACTURING, REPRODUCTION, USE, PATENT RIGHTS AND SALES RIGHTS ARE EXPRESSLY RESERVED BY SAMTEC, INC. THIS DOCUMENT SHALL NOT BE DISCLOSED, IN WHOLE OR PART, TO ANY UNAUTHORIZED PERSON OR ENTITY NOR REPRODUCED, TRANSFERRED OR INCORPORATED IN ANY OTHER PROJECT IN ANY MANNER WITHOUT THE EXPRESS WRITTEN CONSENT OF SAMTEC, INC.

DO NOT SCALE DRAWING  
 SHEET SCALE: 2:1

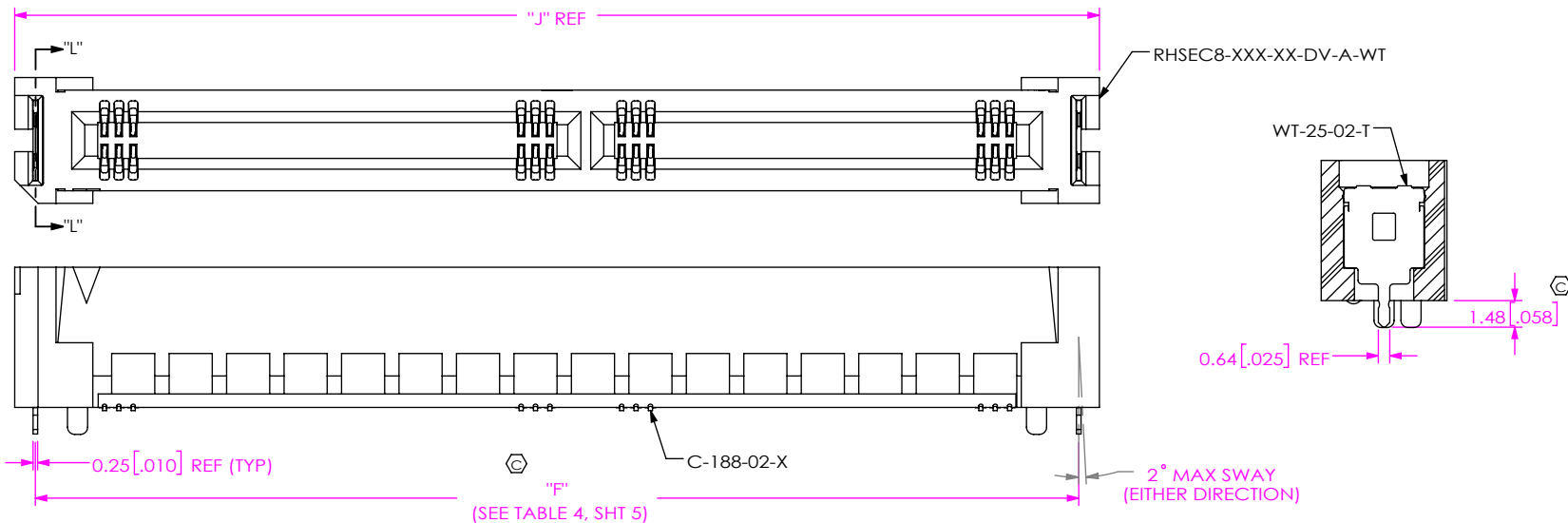


520 PARK EAST BLVD, NEW ALBANY, IN 47150  
 PHONE: 812-944-6733 FAX: 812-948-5047  
 e-Mail: info@SAMTEC.com code: 55322

DESCRIPTION:  
 0.8mm HIGH SPEED EDGE CARD ASSEMBLY  
 DWG. NO.  
**HSEC8-1XXX-XX-XX-DV-X-XX**  
 BY: BRATCHER 01/24/03 SHEET 6 OF 8



**FIG 7**  
 \*\*-PE: PASS THROUGH OPTION  
 HSEC8-120-01-XX-DV-A-PE SHOWN  
 AVAILABLE IN -10, \*-13 & -20 POSITIONS ONLY  
 (DIFFERENT AS SHOWN, OTHERWISE SAME AS FIG 1)  
 (SOME FEATURES NOT SHOWN FOR CLARITY)  
 \*\* = AVAILABLE ONLY WITH -01 CARD THICKNESS  
 \*-13 IS A ONE BANK PART



**TABLE 7**

No OF POSITIONS	"J"
-09	19.60 [0.772]
-10	17.20 [0.677]
-13	22.80 [0.898]
-20	25.20 [0.992]
-25	32.40 [1.276]
-30	33.20 [1.307]
-37	42.00 [1.654]
-40	44.40 [1.748]
-49	51.60 [2.031]
-50	52.40 [2.063]
-60	60.40 [2.378]
-70	68.40 [2.693]
-80	76.40 [3.008]
-90	84.40 [3.323]
-100	92.40 [3.638]

**FIG 8**  
 -WT: WELD TAB OPTION  
 HSEC8-160-01-XX-DV-A-WT SHOWN  
 AVAILABLE IN ALL POSITIONS  
 (-A OPTION REQUIRED)  
 (DIFFERENT AS SHOWN, OTHERWISE SAME AS FIG 2)  
 (SOME FEATURES NOT SHOWN FOR CLARITY)

**PROPRIETARY NOTE**  
 THIS DOCUMENT CONTAINS CONFIDENTIAL AND PROPRIETARY INFORMATION AND ALL DESIGN, MANUFACTURING, REPRODUCTION, USE, PATENT RIGHTS AND SALES RIGHTS ARE EXPRESSLY RESERVED BY SAMTEC, INC. THIS DOCUMENT SHALL NOT BE DISCLOSED, IN WHOLE OR IN PART, TO ANY UNAUTHORIZED PERSON OR ENTITY NOR REPRODUCED, TRANSFERRED OR INCORPORATED IN ANY OTHER PROJECT IN ANY MANNER WITHOUT THE EXPRESS WRITTEN CONSENT OF SAMTEC, INC.

DO NOT SCALE DRAWING  
 SHEET SCALE: 2.5:1

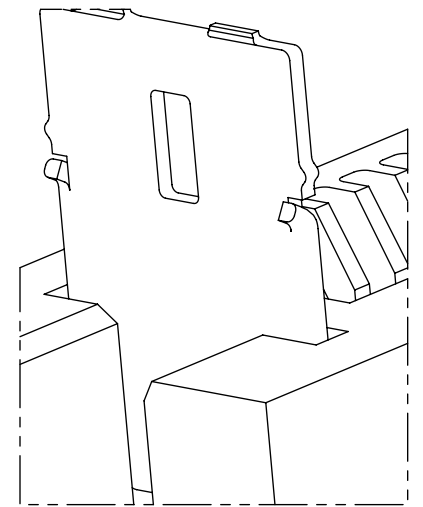
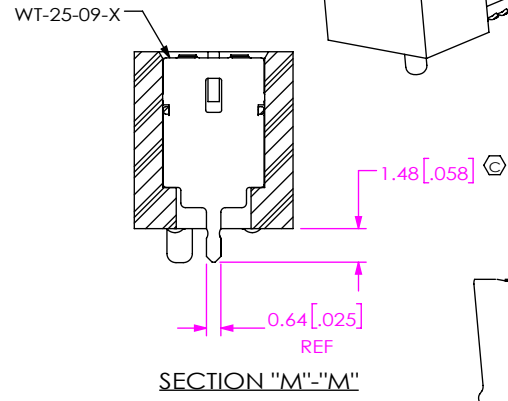
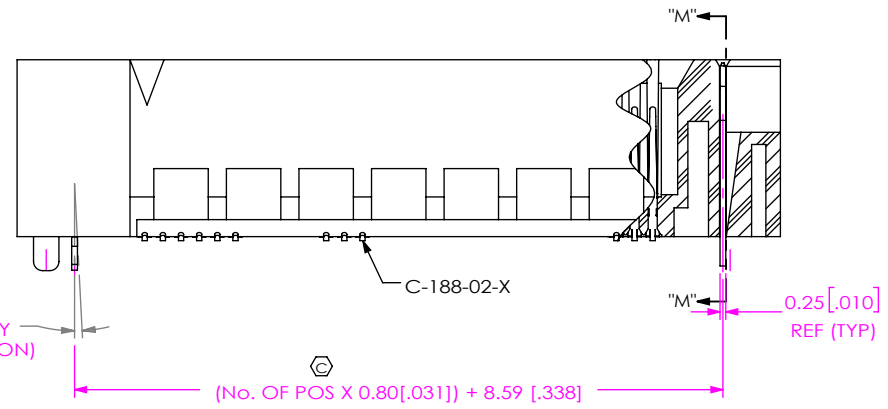
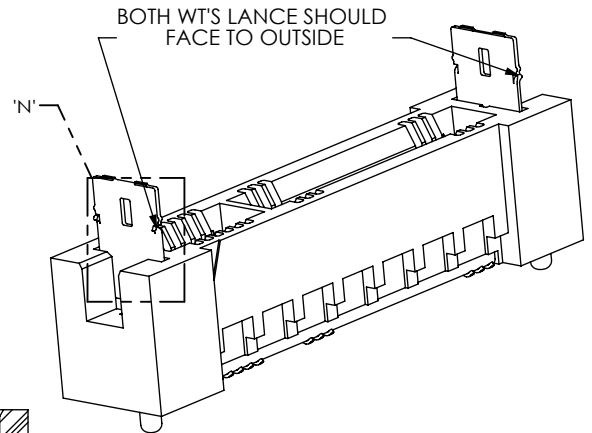
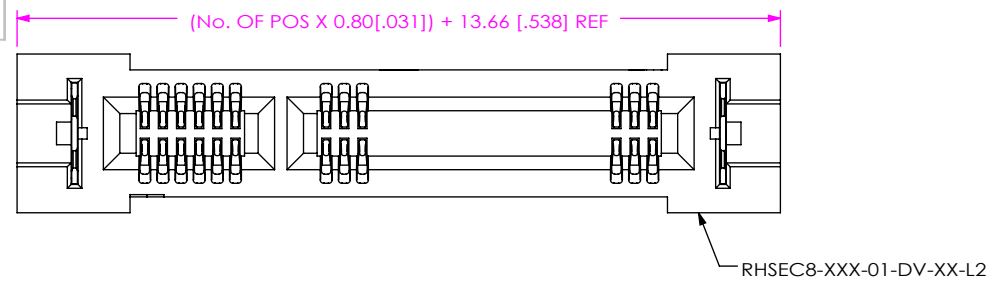


520 PARK EAST BLVD, NEW ALBANY, IN 47150  
 PHONE: 812-944-6733 FAX: 812-948-5047  
 e-Mail: info@SAMTEC.com code 55322

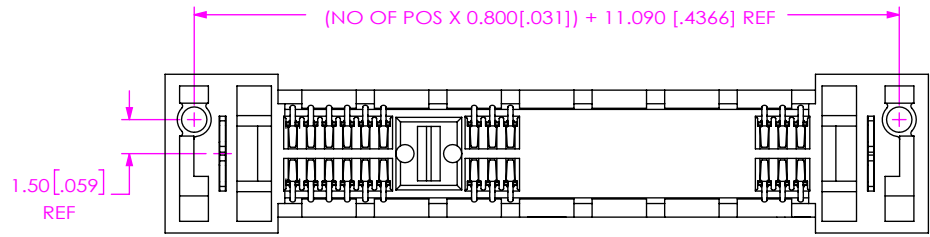
DESCRIPTION:  
 0.8mm HIGH SPEED EDGE CARD ASSEMBLY

DWG. NO.  
**HSEC8-1XXX-XX-XX-DV-X-XX**

BY: BRATCHER 01/24/03 SHEET 7 OF 8



DETAIL 'N'  
SCALE 10 : 1



**FIG 9**  
 \*\*L2: ECDP LATCHING OPTION  
 HSEC8-125-01-XX-DV-A-L2 SHOWN  
 (AVAILABLE IN 9, 13, 25, & 49 POS ONLY)  
 (NOT AVAILABLE FOR -GR TYPE USE)  
 (DIFFERENT AS SHOWN, OTHERWISE SAME AS FIG 2)  
 (SOME FEATURES NOT SHOWN FOR CLARITY)  
 (\*\* = AVAILABLE ONLY WITH -01 CARD THICKNESS)

F:\DWG\MISC\MKTG\HSEC8-1XXX-XX-XX-DV-X-XX-MKT.SLDDRW

**PROPRIETARY NOTE**  
 THIS DOCUMENT CONTAINS CONFIDENTIAL AND PROPRIETARY INFORMATION AND ALL DESIGN, MANUFACTURING, REPRODUCTION, USE, PATENT RIGHTS AND SALES RIGHTS ARE EXPRESSLY RESERVED BY SAMTEC, INC. THIS DOCUMENT SHALL NOT BE DISCLOSED, IN WHOLE OR PART, TO ANY UNAUTHORIZED PERSON OR ENTITY NOR REPRODUCED, TRANSFERRED OR INCORPORATED IN ANY OTHER PROJECT IN ANY MANNER WITHOUT THE EXPRESS WRITTEN CONSENT OF SAMTEC, INC.

DO NOT SCALE DRAWING  
 SHEET SCALE: 3:1

**samtec**  
 520 PARK EAST BLVD, NEW ALBANY, IN 47150  
 PHONE: 812-944-6733 FAX: 812-948-5047  
 e-Mail info@SAMTEC.com code 55322

DESCRIPTION:  
 0.8mm HIGH SPEED EDGE CARD ASSEMBLY  
 DWG. NO.  
**HSEC8-1XXX-XX-XX-DV-X-XX**  
 BY: BRATCHER 01/24/03 SHEET 8 OF 8