

VERTICAL RECEPTACLE ASSEMBLY MATED TO VERTICAL PLUG ASSEMBLY

THIS DRAWING IS A CONTROLLED DOCUMENT.

DIMENSIONS:	MM
TOLERANCES UNLESS OTHERWISE SPECIFIED:	
0 PLC	±
1 PLC	±
2 PLC	±
3 PLC	±
4 PLC ANGLES	±

DMN	CHK	APVD	PRODUCT SPEC
CUSTOMER DRAWING			QUALIFICATION TEST REPORT
			WEIGHT

NAME	STE TE Connectivity
RECEPTACLE ASSEMBLY, VERTICAL, BOARD-TO-BOARD, CHAMP.050, SERIES 1,	
SIZE	A3
CAGE CODE	00779
DRAWING NO	1734101
RESTRICTED TO	

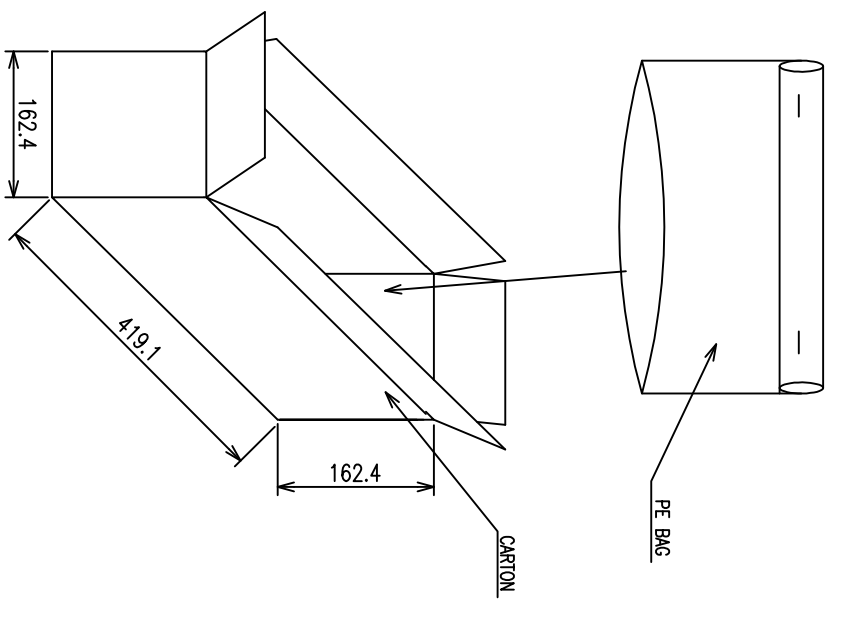
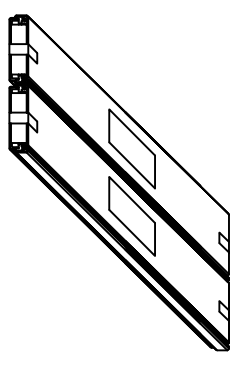
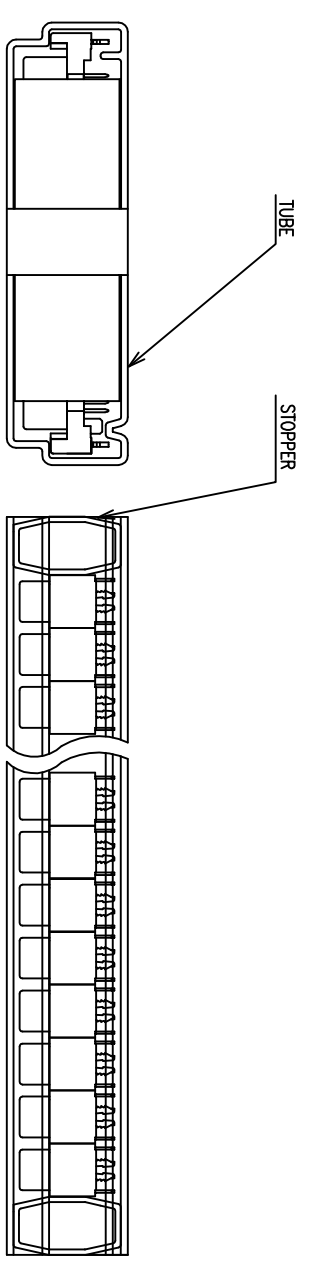
THIS DRAWING IS UNPUBLISHED.
 © COPYRIGHT - BY TYCO ELECTRONICS CORPORATION. ALL RIGHTS RESERVED.

RELEASED FOR PUBLICATION
 AUG. 2006.

Loc DW
 DIST

REVISIONS

P	LTR	DESCRIPTION	DATE	DMN	APVD
		SEE SHEET 1.			

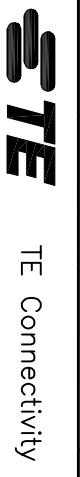


DMN	CHK	APVD	PRODUCT SPEC	QUALIFICATION TEST REPORT	WEIGHT	CUSTOMER DRAWING	G.W./CARTON (KG)	N.W./CARTON (KG)	PCS/TUBE	TUBES/CARTON	QUANTITY/CARTON (PCS)	PART NUMBER	POS.
							4.21	2.89	54	8	432	5-1734101-3	120
							6.84	4.92	54	16	864	3-1734101-1	100
							5.61	4.06	54	16	864	1-1734101-8	80
							5.05	3.63	54	16	864	6-1734101-7	68
							4.65	3.23	54	16	864	7-1734101-7	
							4.28	3.11	54	16	864	4-1734101-6	60
							4.72	3.42	54	16	864	6-1734101-6	
							5.32	4.02	54	24	1296	2-1734101-7	50
							4.42	3.37	54	24	1296	5-1734101-7	40
							6.25	5.36	54	32	1728	3-1734101-7	30
												4-1734101-4	
												6-1734101-4	
												1734101-4	
												4-1734101-3	
												6-1734101-3	
												1734101-3	

THIS DRAWING IS A CONTROLLED DOCUMENT.

TOLERANCES UNLESS OTHERWISE SPECIFIED:
 0 PLC ±
 1 PLC ±
 2 PLC ±
 3 PLC ±
 4, PRC ANGLES ±

DMN
 CHK
 APVD
 PRODUCT SPEC
 QUALIFICATION TEST REPORT
 WEIGHT
 CUSTOMER DRAWING



RECEPTACLE ASSEMBLY,
 VERTICAL, BOARD-TO-BOARD,
 CHAMP.050, SERIES 1,

NAME
 SIZE A3
 CAGE CODE 00779
 DRAWING NO. 1734101
 RESTRICTED TO

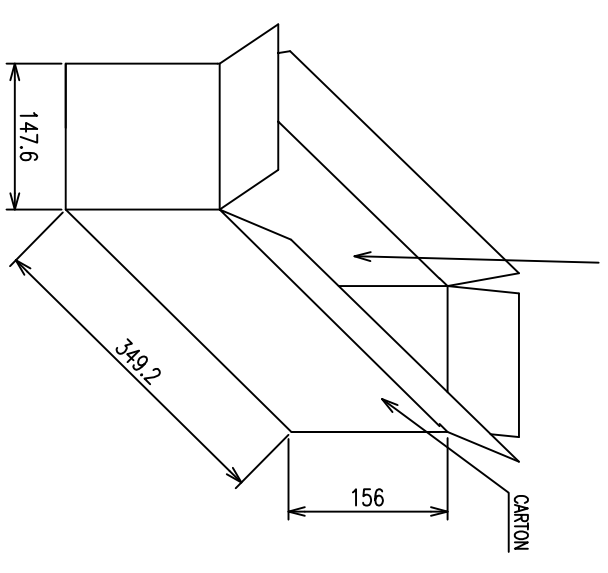
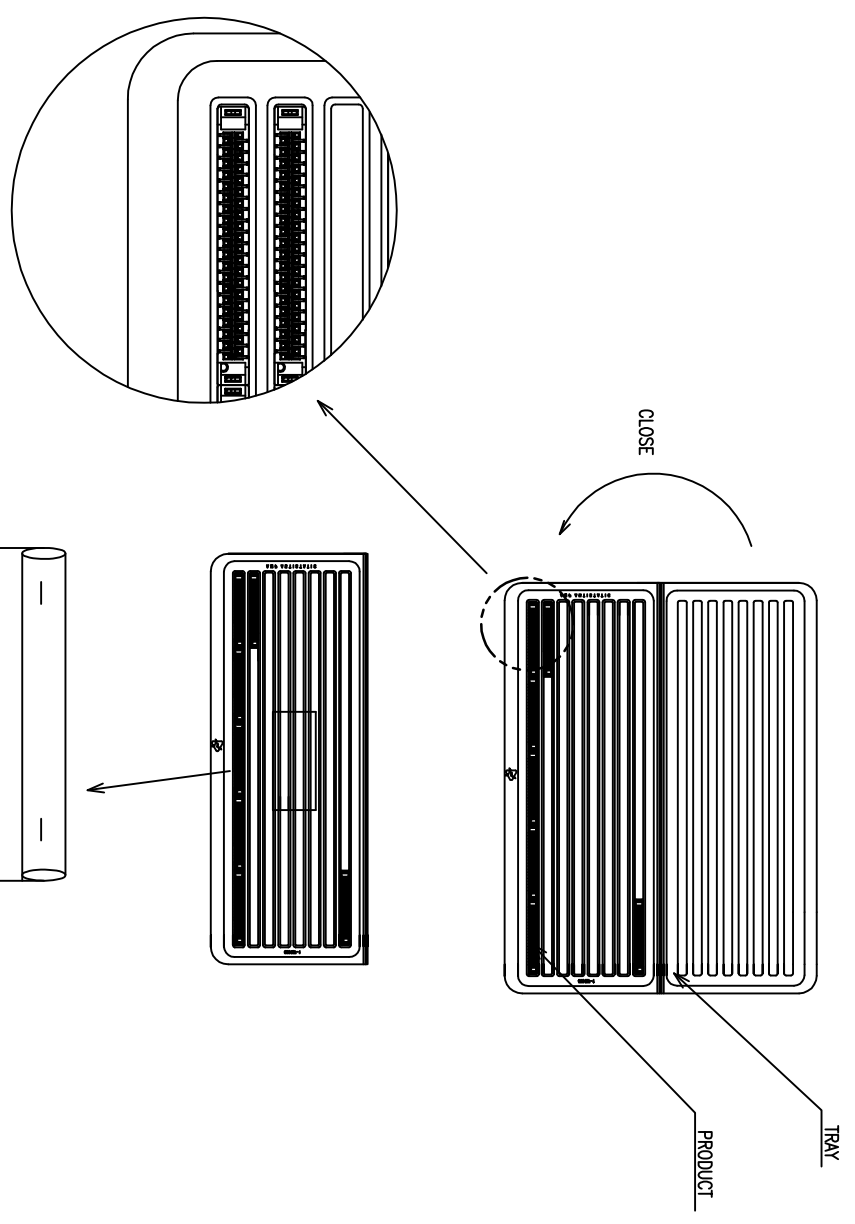
THIS DRAWING IS UNPUBLISHED.
 © COPYRIGHT - BY TYCO ELECTRONICS CORPORATION. ALL RIGHTS RESERVED.

RELEASED FOR PUBLICATION
 AUG. 2006.

Loc DW
 DIST

REVISIONS

P	LTR	DESCRIPTION	DATE	DWN	APVD
		SEE SHEET 1.			



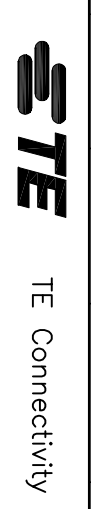
DESCRIPTION	G.W./CARTON (KG)	N.W./CARTON (KG)	PCS/TRAY	TRAYS/CARTON	QUANTITY/CARTON (PCS)	PART NUMBER	POS.
OBSOLETE	2.69	1.71	16	10	160	5-1734101-6 3-1734101-6 1-1734101-6 5-1734101-5 3-1734101-5 1-1734101-5	200
	2.37	1.39	16	10	160	5-1734101-4 3-1734101-4 1-1734101-4	160
OBSOLETE	2.48	1.50	32	10	320	4-1734101-9 6-1734101-9 1734101-9	80

THIS DRAWING IS A CONTROLLED DOCUMENT.

DIMENSIONS:	TOLERANCES UNLESS OTHERWISE SPECIFIED:
MM	± .15
	± .10
	± .05
	± .02
	± .01
	± .005
	± .002
	± .001
	± .0005
	± .0002
	± .0001

FINISH	PLC	ANGLE
0	± .15	± .15
1	± .10	± .10
2	± .05	± .05
3	± .02	± .02
4	± .01	± .01

APVD	NAME
	DMN
	CHK
	APVD
	PRODUCT SPEC
	QUALIFICATION TEST REPORT
	WEIGHT
	CUSTOMER DRAWING



RECEPTACLE ASSEMBLY,
 VERTICAL, BOARD-TO-BOARD,
 CHAMP.050, SERIES 1,

SIZE A3
 CAGE CODE 00779
 DRAWING NO. 1734101

SCALE 1:1 SHEET 4 OF 4 REV E2

Mouser Electronics

Authorized Distributor

Click to View Pricing, Inventory, Delivery & Lifecycle Information:

[TE Connectivity:](#)

[1-1734101-4](#)