

# RF Power LDMOS Transistors

## High Ruggedness N-Channel Enhancement-Mode Lateral MOSFETs

RF power transistors designed for both narrowband and broadband ISM, broadcast and aerospace applications operating at frequencies from 1.8 to 2000 MHz. These devices are fabricated using Freescale's enhanced ruggedness platform and are suitable for use in applications where high VSWRs are encountered.

**Typical Performance:**  $V_{DD} = 50$  Volts

Frequency (MHz)	Signal Type	$P_{out}$ (W)	$G_{ps}$ (dB)	$\eta_D$ (%)	IMD (dBc)
30-512 (1,3)	Two-Tone (100 kHz spacing)	100 PEP	19.0	30.0	-30
512 (2)	CW	100	27.2	70.0	—
512 (2)	Pulse (200 $\mu$ sec, 20% Duty Cycle)	100 Peak	26.0	70.0	—

### Load Mismatch/Ruggedness

Frequency (MHz)	Signal Type	VSWR	$P_{out}$ (W)	Test Voltage	Result
512 (2)	Pulse (100 $\mu$ sec, 20% Duty Cycle)	>65:1 at all Phase Angles	130 (3 dB Overdrive)	50	No Device Degradation
512 (2)	CW		126 (3 dB Overdrive)		

1. Measured in 30-512 MHz broadband reference circuit.
2. Measured in 512 MHz narrowband test circuit.
3. The values shown are the minimum measured performance numbers across the indicated frequency range.

### Features

- Wide Operating Frequency Range
- Extremely Rugged
- Unmatched, Capable of Very Broadband Operation
- Integrated Stability Enhancements
- Low Thermal Resistance
- Integrated ESD Protection Circuitry
- In Tape and Reel. R5 Suffix = 50 Units, 56 mm Tape Width, 13 inch Reel.

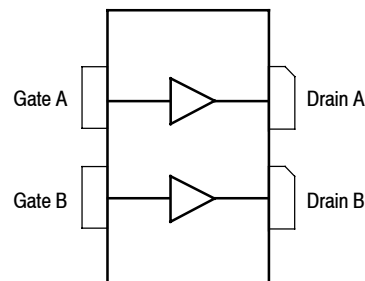
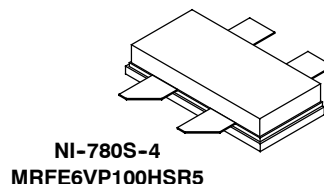
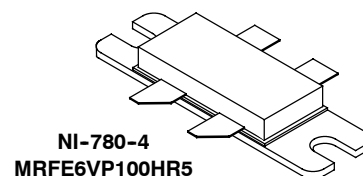
**Table 1. Maximum Ratings**

Rating	Symbol	Value	Unit
Drain-Source Voltage	$V_{DSS}$	-0.5, +133	Vdc
Gate-Source Voltage	$V_{GS}$	-6.0, +10	Vdc
Storage Temperature Range	$T_{stg}$	-65 to +150	$^{\circ}$ C
Case Operating Temperature	$T_C$	-40 to +150	$^{\circ}$ C
Operating Junction Temperature (4,5)	$T_J$	-40 to +225	$^{\circ}$ C

4. Continuous use at maximum temperature will affect MTTF.
5. MTTF calculator available at <http://www.freescale.com/rf>. Select Software & Tools/Development Tools/Calculators to access MTTF calculators by product.

**MRFE6VP100HR5**  
**MRFE6VP100HSR5**

**1.8-2000 MHz, 100 W, 50 V  
BROADBAND  
RF POWER LDMOS TRANSISTORS**



(Top View)

Note: The backside of the package is the source terminal for the transistor.

**Figure 1. Pin Connections**

**Table 2. Thermal Characteristics**

Characteristic	Symbol	Value (1,2)	Unit
Thermal Resistance, Junction to Case CW: Case Temperature 81°C, 100 W CW, 50 Vdc, I <sub>DQ(A+B)</sub> = 100 mA, 512 MHz	R <sub>θJC</sub>	0.38	°C/W
Thermal Impedance, Junction to Case Pulse: Case Temperature 73°C, 100 W Peak, 100 μsec Pulse Width, 20% Duty Cycle, 50 Vdc, I <sub>DQ(A+B)</sub> = 100 mA, 512 MHz	Z <sub>θJC</sub>	0.12	°C/W

**Table 3. ESD Protection Characteristics**

Test Methodology	Class
Human Body Model (per JESD22-A114)	2, passes 2500 V
Machine Model (per EIA/JESD22-A115)	B, passes 250 V
Charge Device Model (per JESD22-C101)	IV, passes 2000 V

**Table 4. Electrical Characteristics** (T<sub>A</sub> = 25°C unless otherwise noted)

Characteristic	Symbol	Min	Typ	Max	Unit
----------------	--------	-----	-----	-----	------

**Off Characteristics** <sup>(3)</sup>

Gate-Source Leakage Current (V <sub>GS</sub> = 5 Vdc, V <sub>DS</sub> = 0 Vdc)	I <sub>GSS</sub>	—	—	400	nAdc
Drain-Source Breakdown Voltage (V <sub>GS</sub> = 0 Vdc, I <sub>D</sub> = 50 mA)	V <sub>(BR)DSS</sub>	133	141	—	Vdc
Zero Gate Voltage Drain Leakage Current (V <sub>DS</sub> = 50 Vdc, V <sub>GS</sub> = 0 Vdc)	I <sub>DSS</sub>	—	—	3	μAdc
Zero Gate Voltage Drain Leakage Current (V <sub>DS</sub> = 100 Vdc, V <sub>GS</sub> = 0 Vdc)	I <sub>DSS</sub>	—	—	10	μAdc

**On Characteristics**

Gate Threshold Voltage <sup>(3)</sup> (V <sub>DS</sub> = 10 Vdc, I <sub>D</sub> = 170 μAdc)	V <sub>GS(th)</sub>	1.6	2.1	2.6	Vdc
Gate Quiescent Voltage (V <sub>DD</sub> = 50 Vdc, I <sub>D</sub> = 100 mAdc, Measured in Functional Test)	V <sub>GS(Q)</sub>	2.1	2.6	3.1	Vdc
Drain-Source On-Voltage <sup>(3)</sup> (V <sub>GS</sub> = 10 Vdc, I <sub>D</sub> = 1 Adc)	V <sub>DS(on)</sub>	—	0.23	—	Vdc

**Dynamic Characteristics** <sup>(3)</sup>

Reverse Transfer Capacitance (V <sub>DS</sub> = 50 Vdc ± 30 mV(rms)ac @ 1 MHz, V <sub>GS</sub> = 0 Vdc)	C <sub>rss</sub>	—	0.24	—	pF
Output Capacitance (V <sub>DS</sub> = 50 Vdc ± 30 mV(rms)ac @ 1 MHz, V <sub>GS</sub> = 0 Vdc)	C <sub>oss</sub>	—	23.9	—	pF
Input Capacitance (V <sub>DS</sub> = 50 Vdc, V <sub>GS</sub> = 0 Vdc ± 30 mV(rms)ac @ 1 MHz)	C <sub>iss</sub>	—	73.6	—	pF

**Functional Tests** (In Freescale Test Fixture, 50 ohm system) V<sub>DD</sub> = 50 Vdc, I<sub>DQ(A+B)</sub> = 100 mA, P<sub>out</sub> = 100 W Peak (20 W Avg.), f = 512 MHz, 200 μsec Pulse Width, 20% Duty Cycle

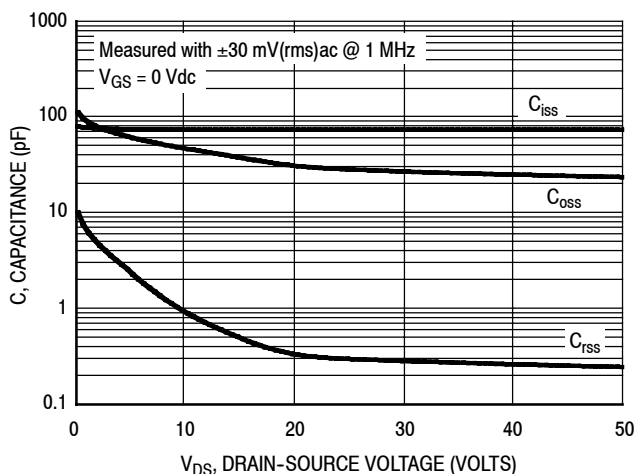
Power Gain	G <sub>ps</sub>	25.0	26.0	27.0	dB
Drain Efficiency	η <sub>D</sub>	68.0	70.0	—	%
Input Return Loss	IRL	—	-14	-9	dB

**Load Mismatch/Ruggedness** (In Freescale Test Fixture, 50 ohm system, I<sub>DQ(A+B)</sub> = 100 mA)

Frequency (MHz)	Signal Type	VSWR	P <sub>out</sub> (W)	Test Voltage, V <sub>DD</sub>	Result
512	Pulse (100 μsec, 20% Duty Cycle)	>65:1 at all Phase Angles	130 Peak (3 dB Overdrive)	50	No Device Degradation
	CW		126 (3 dB Overdrive)		

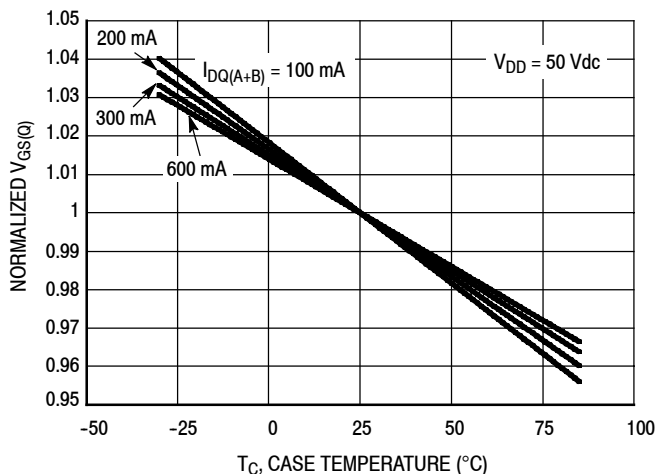
1. MTTF calculator available at <http://www.freescale.com/rf>. Select Software & Tools/Development Tools/Calculators to access MTTF calculators by product.
2. Refer to AN1955, *Thermal Measurement Methodology of RF Power Amplifiers*. Go to <http://www.freescale.com/rf>. Select Documentation/Application Notes - AN1955.
3. Each side of device measured separately.

### TYPICAL CHARACTERISTICS



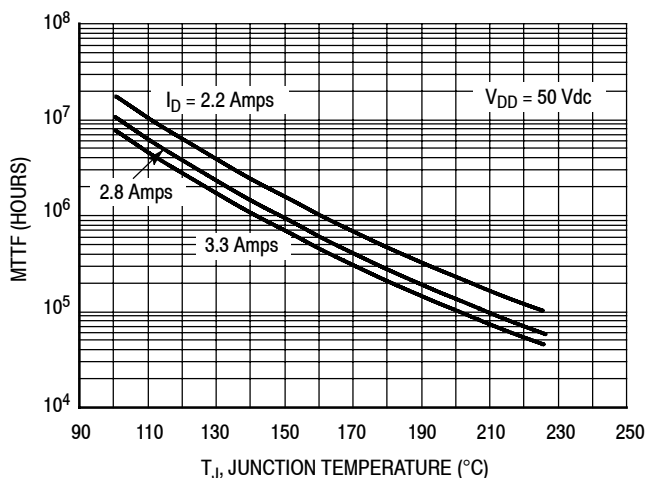
**Note:** Each side of device measured separately.

**Figure 2. Capacitance versus Drain-Source Voltage**



**Figure 3. Normalized  $V_{GS}$  versus Quiescent Current and Case Temperature**

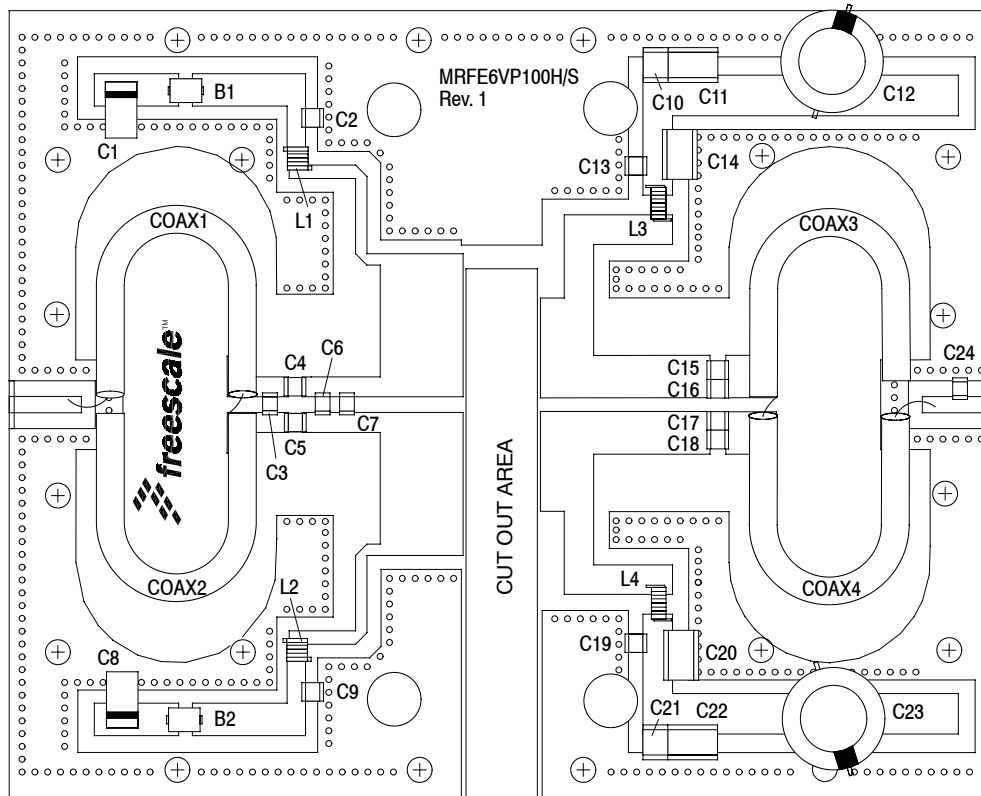
$I_{DQ}$ (mA)	Slope (mV/°C)
100	-1.945
200	-1.826
300	-1.700
600	-1.648



**Note:** MTTF value represents the total cumulative operating time under indicated test conditions.

**Figure 4. MTTF versus Junction Temperature - CW**

## 512 MHz NARROWBAND PRODUCTION TEST FIXTURE



**Figure 5. MRFE6VP100HR5(HSR5) Narrowband Test Circuit Component Layout — 512 MHz**

**Table 5. MRFE6VP100HR5(HSR5) Narrowband Test Circuit Component Designations and Values — 512 MHz**

Part	Description	Part Number	Manufacturer
B1, B2	Small Ferrite Beads, Surface Mount	2743019447	Fair-Rite
C1, C8	22 $\mu$ F, 35 V Tantalum Capacitors	T491X226K035AT	Kemet
C2, C9	120 pF Chip Capacitors	ATC100B121JT500XT	ATC
C3	4.3 pF Chip Capacitor	ATC100B4R3CT500XT	ATC
C4, C5	56 pF Chip Capacitors	ATC100B560CT500XT	ATC
C6, C7, C15, C16, C17, C18	27 pF Chip Capacitors	ATC100B270JT500XT	ATC
C10, C21	0.1 $\mu$ F Chip Capacitors	C1812F104K1RACTU	Kemet
C11, C22	0.01 $\mu$ F Chip Capacitors	C1825C103K1GACTU	Kemet
C12, C23	470 $\mu$ F, 63 V Electrolytic Capacitors	MCGPR63V477M13X26-RH	Multicomp
C13, C19	240 pF Chip Capacitors	ATC100B241JT200XT	ATC
C14, C20	2.2 $\mu$ F Chip Capacitors	G2225X7R225KT3AB	ATC
C24	7.5 pF Chip Capacitor	ATC100B7R5CT500XT	ATC
Coax1, 2	25 $\Omega$ Semi Rigid Coax, 2.2" Shield Length	UT-141C-25	Micro-Coax
Coax3, 4	25 $\Omega$ Semi Rigid Coax, 2.0" Shield Length	UT-141C-25	Micro-Coax
L1, L2	5 Turns, 18.5 nH Inductors, Wire Wound	A05TKLC	Coilcraft
L3, L4	7 Turns, 22 nH Inductors, Wire Wound	B07TJLC	Coilcraft
PCB	0.030", $\epsilon_r = 2.55$	AD255D	Arlon

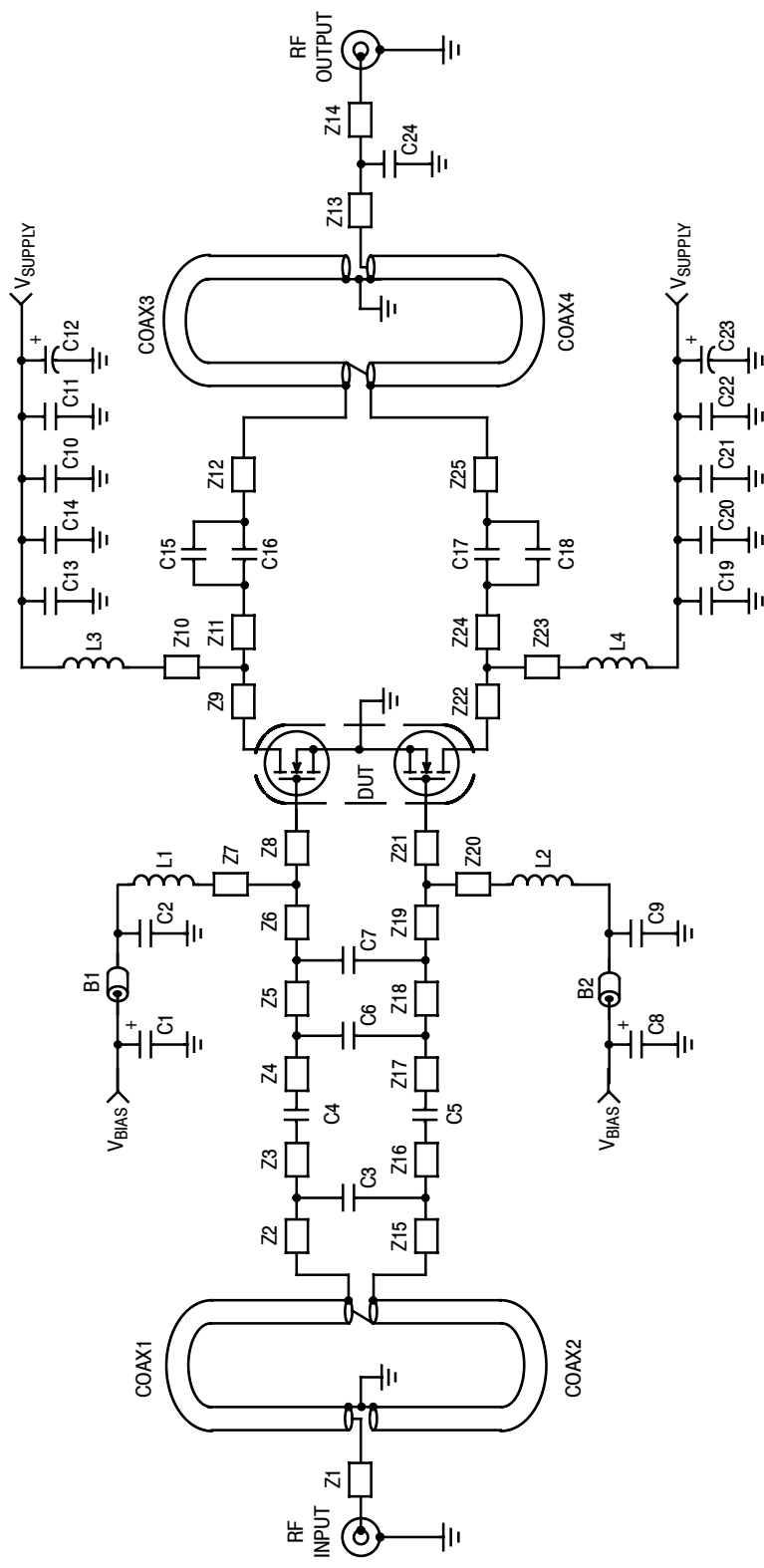


Figure 6. MRFE6VP100HR5(HSR5) Narrowband Test Circuit Schematic — 512 MHz

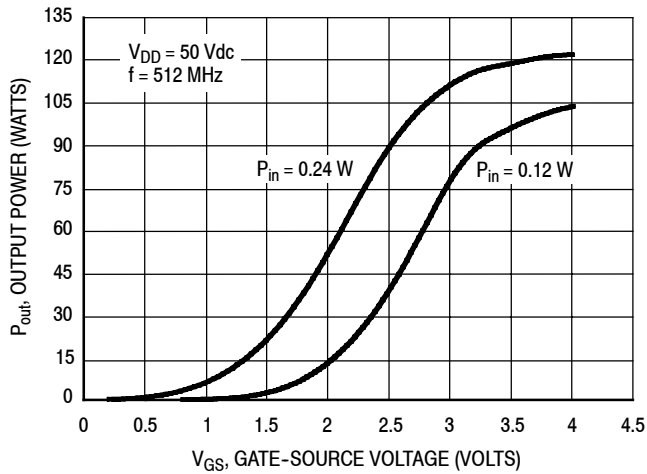
Table 6. MRFE6VP100HR5(HSR5) Narrowband Test Circuit Microstrips — 512 MHz

Microstrip	Description
Z9, Z22	0.271" x 0.507" Microstrip
Z10*, Z23*	0.822" x 0.150" Microstrip
Z11, Z24	0.590" x 0.216" Microstrip
Z12, Z25	0.257" x 0.216" Microstrip
Z13	0.192" x 0.082" Microstrip
Z14	0.173" x 0.082" Microstrip

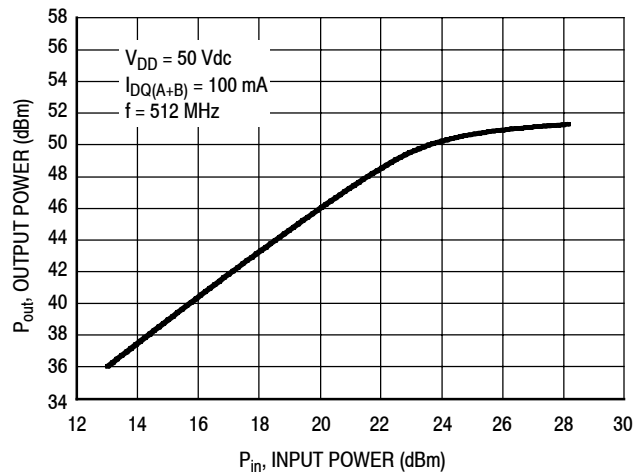
\* Line length includes microstrip bends

Microstrip	Description
Z1	0.366" x 0.082" Microstrip
Z2, Z15	0.070" x 0.102" Microstrip
Z3, Z16	0.094" x 0.102" Microstrip
Z4, Z17	0.103" x 0.102" Microstrip
Z5, Z18	0.125" x 0.102" Microstrip
Z6, Z19	0.168" x 0.102" Microstrip
Z7*, Z20*	0.912" x 0.058" Microstrip
Z8, Z21	0.420" x 0.726" Microstrip

### TYPICAL CHARACTERISTICS — 512 MHz

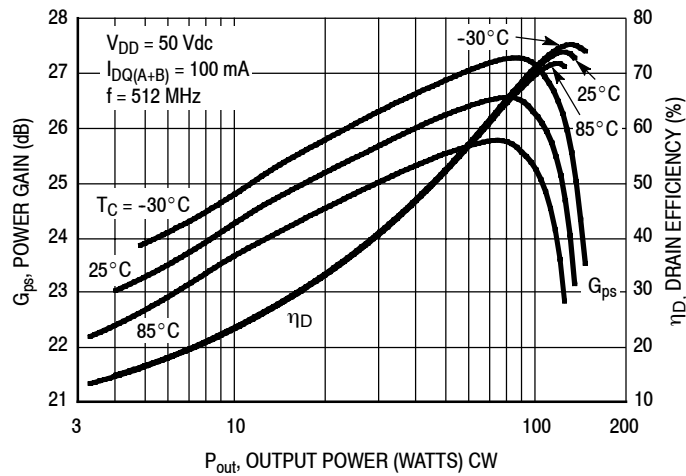


**Figure 7. CW Output Power versus Gate-Source Voltage at a Constant Input Power**



f (MHz)	P1dB (W)	P3dB (W)
512	117	132

**Figure 8. CW Output Power versus Input Power**



**Figure 9. Power Gain and Drain Efficiency versus CW Output Power**

## 512 MHz NARROWBAND PRODUCTION TEST FIXTURE

$V_{DD} = 50 \text{ Vdc}$ ,  $I_{DQ(A+B)} = 100 \text{ mA}$ ,  $P_{out} = 100 \text{ W Peak}$

f MHz	$Z_{source}$ $\Omega$	$Z_{load}$ $\Omega$
512	$1.50 + j8.90$	$12.2 + j18.0$

$Z_{source}$  = Test circuit impedance as measured from gate to gate, balanced configuration.

$Z_{load}$  = Test circuit impedance as measured from drain to drain, balanced configuration.

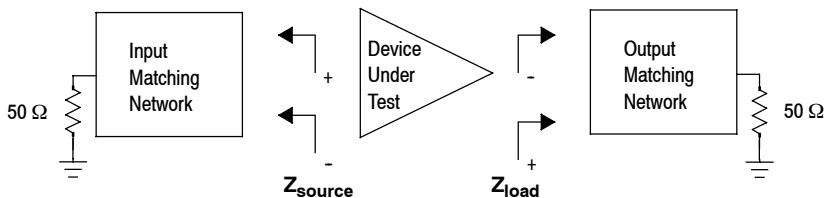


Figure 10. Narrowband Series Equivalent Source and Load Impedance — 512 MHz

## 30-512 MHz BROADBAND REFERENCE CIRCUIT

**Table 7. 30-512 MHz Broadband Performance** (In Freescale Reference Circuit, 50 ohm system)

$V_{DD} = 50$  Volts,  $I_{DQ(A+B)} = 400$  mA

Signal Type	$P_{out}$ (W)	f (MHz)	$G_{ps}$ (dB)	$\eta_D$ (%)	IMD (dBc)
Two-Tone (200 kHz spacing)	25 PEP	30	24.5	25.3	-37.8
		100	19.6	19.9	-35.7
		512	21.3	20.3	-42.8
	50 PEP	30	24.5	36.7	-29.1
		100	19.9	28.9	-32.9
		512	21.7	29.6	-43.7
	75 PEP	30	23.9	44.6	-24.1
		100	19.4	35.1	-25.1
		512	21.7	36.8	-37.4
	100 PEP	30	23.2	50.7	-20.1
		100	18.8	39.8	-20.4
		512	21.6	42.2	-28.6



### 30-512 MHz BROADBAND REFERENCE CIRCUIT

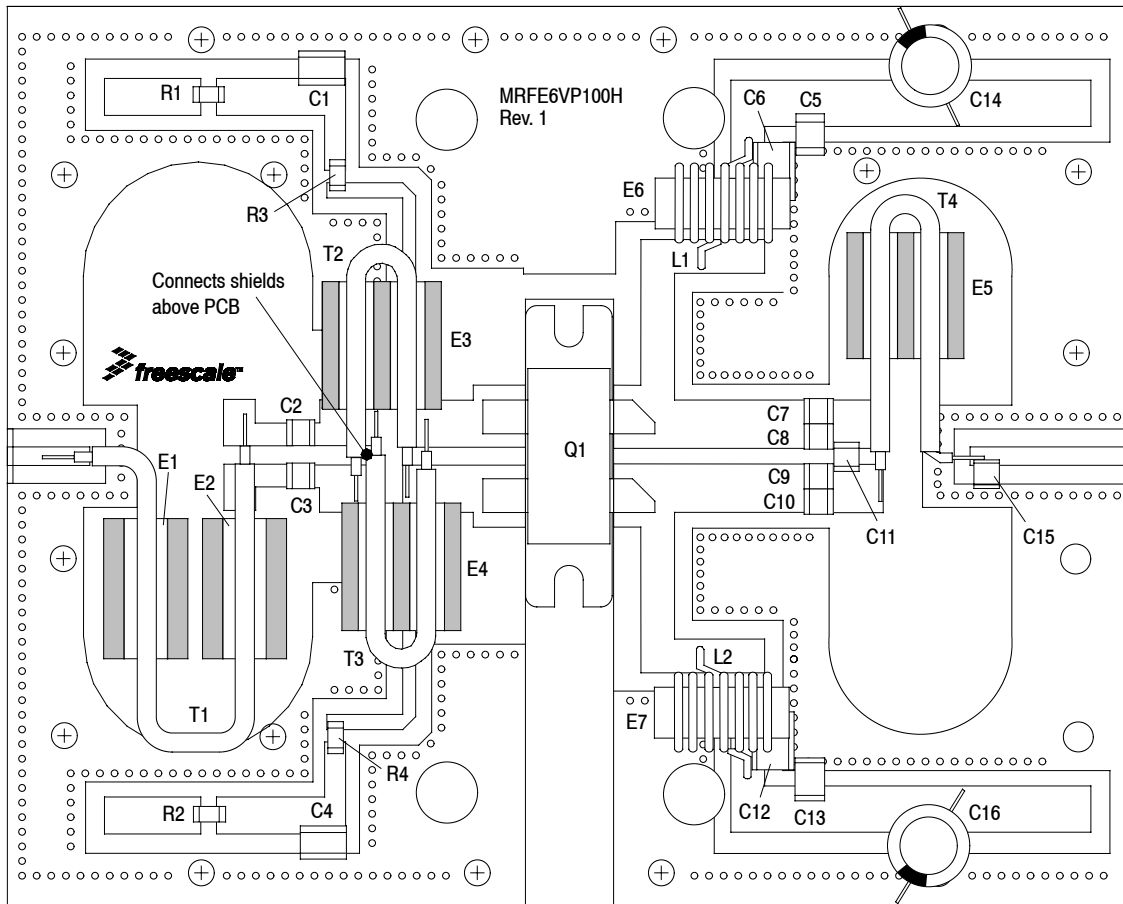


Figure 11. MRFE6VP100HR5(HSR5) Broadband Reference Circuit Component Layout — 30-512 MHz

Table 8. MRFE6VP100HR5(HSR5) Broadband Reference Circuit Component Designations and Values — 30-512 MHz

Part	Description	Part Number	Manufacturer
C1, C4	2.2 $\mu$ F Chip Capacitors	C1825C225J5RAC	Kemet
C2, C3, C7, C8, C9, C10	20K pF Chip Capacitors	ATC200B203KT50XT	ATC
C5, C13	200 nF Chip Capacitors	C1812C224K5RAC-TU	Kemet
C6, C12	2.2 $\mu$ F Chip Capacitors	G2225X7R225KT3AB	ATC
C11	2.7 pF Chip Capacitor	ATC100B2R7BT500XT	ATC
C14, C16	470 $\mu$ F, 63 V Electrolytic Capacitors	MCGPR63V477M13X26-RH	Multicomp
C15	2.0 pF Chip Capacitor	ATC100B2R0BT500XT	ATC
E1, E2	#43 Ferrite Beads	2643023402	Fair-Rite
E3, E4, E5	Binocular Toroid K Material	12-365-K	Ferronics
E6, E7	Toroid Ferrite K Material	11-750-K	Ferronics
L1, L2	10 Turns, #18 AWG, Toroid Transformer with Ferrites E6, E7	8075 Copper Magnetic Wire	Belden
Q1	RF Power LDMOS Transistor	MRFE6VP100HR5	Freescale
R1, R2	10 $\Omega$ , 1/4 W Chip Resistors	CRCW120610ROJNEA	Vishay
R3, R4	56 $\Omega$ , 1/4 W Chip Resistors	CRCW120656ROJNEA	Vishay
T1	50 $\Omega$ Flex Cable, 4"	Sucoform 141	Hubert+Suhner
T2, T3	22 $\Omega$ Flex Cable, 3.25"	M27500-16RC1509	Whitmor-Wirenetics
T4	25 $\Omega$ Semi Rigid, 2.75"	UT-90-25	Micro-Coax
PCB	0.030", $\epsilon_r = 2.55$	AD255A	Arlon

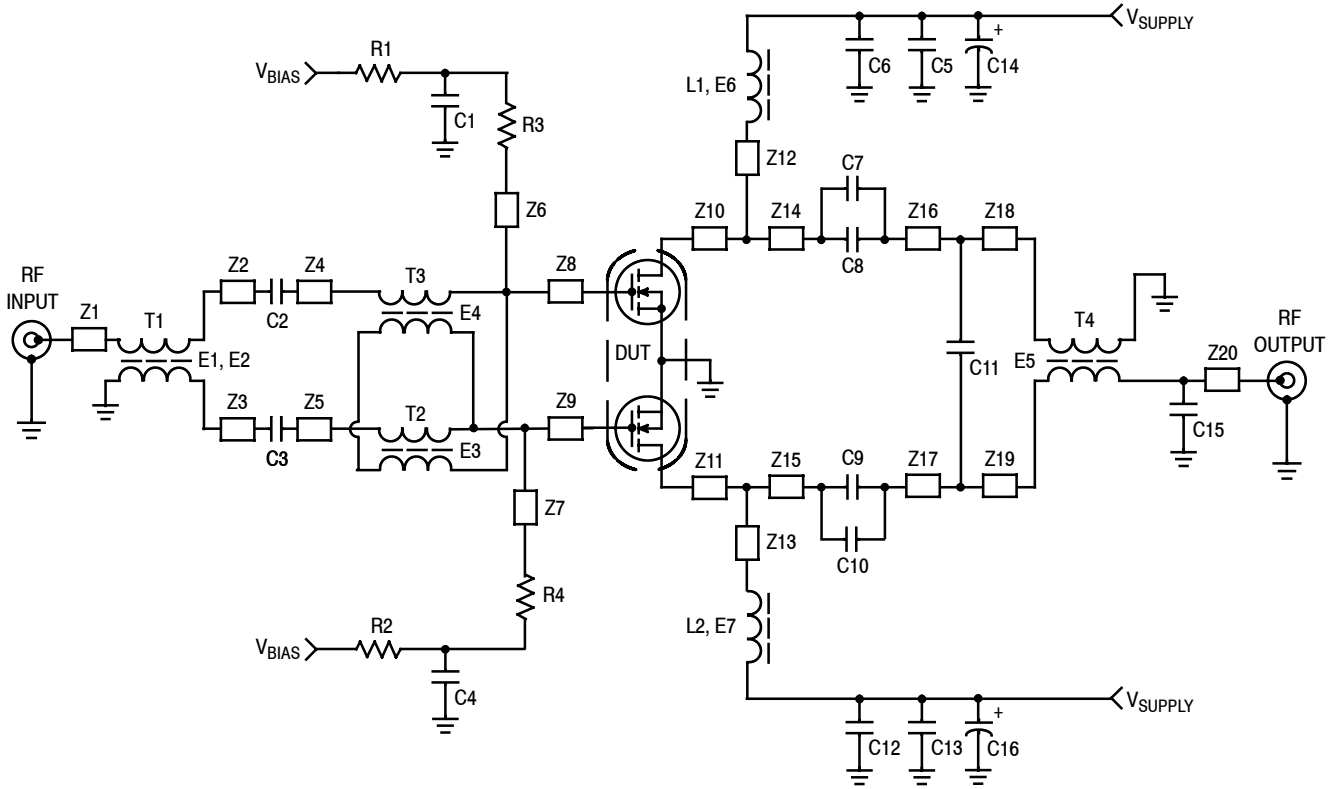


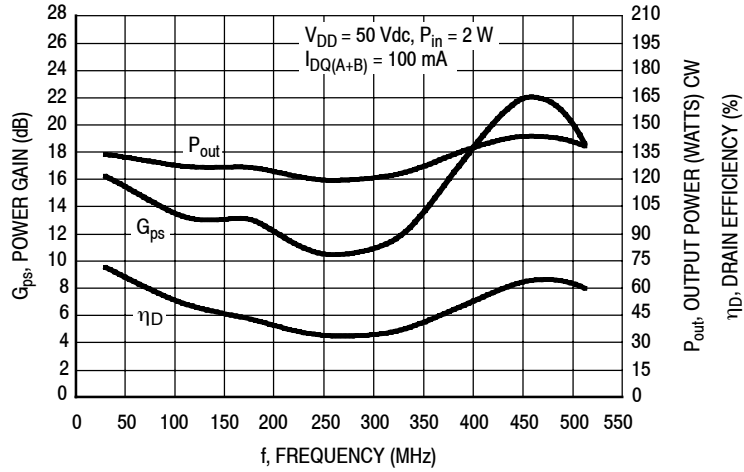
Figure 12. MRFE6VP100HR5(HSR5) Broadband Test Circuit Schematic — 30-512 MHz

Table 9. MRFE6VP100HR5(HSR5) Narrowband Test Circuit Microstrips — 30-512 MHz

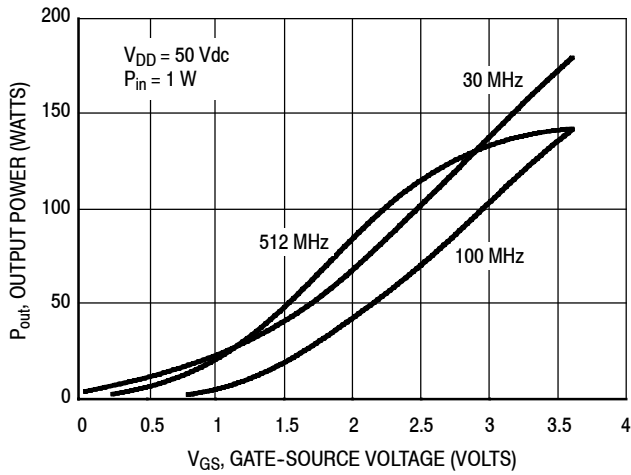
Microstrip	Description	Microstrip	Description
Z1	0.366" × 0.082" Microstrip	Z12*, Z13*	1.125" × 0.150" Microstrip
Z2, Z3	0.070" × 0.102" Microstrip	Z14, Z15	0.563" × 0.219" Microstrip
Z4, Z5	0.094" × 0.102" Microstrip	Z16, Z17	0.094" × 0.219" Microstrip
Z6*, Z7*	1.375" × 0.063" Microstrip	Z18, Z19	0.156" × 0.219" Microstrip
Z8, Z9	0.561" × 0.219" Microstrip	Z20	0.359" × 0.078" Microstrip
Z10, Z11	0.250" × 0.219" Microstrip		

\* Line length includes microstrip bends

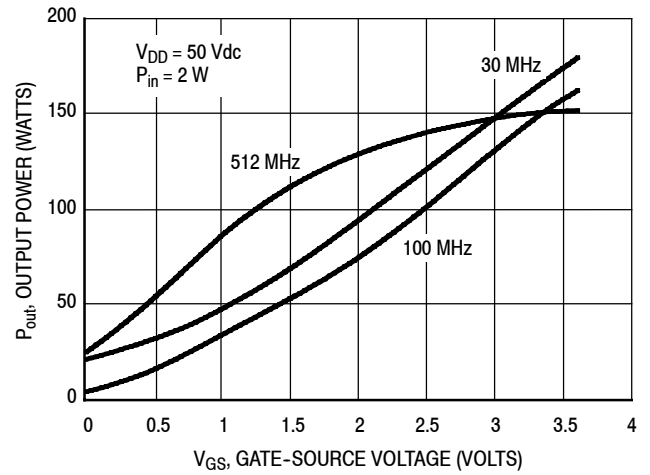
**TYPICAL CHARACTERISTICS — 30-512 MHz  
BROADBAND REFERENCE CIRCUIT**



**Figure 13. Power Gain, CW Output Power and Drain Efficiency versus Frequency at a Constant Input Power**

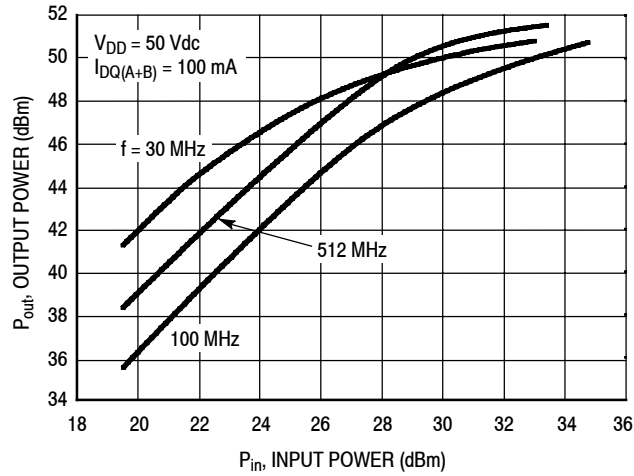


**Figure 14. CW Output Power versus Gate-Source Voltage at a Constant Input Power**



**Figure 15. CW Output Power versus Gate-Source Voltage at a Constant Input Power**

### TYPICAL CHARACTERISTICS — 30-512 MHz BROADBAND REFERENCE CIRCUIT



f (MHz)	P1dB (W)	P3dB (W)
30	78	107
100	81	118
512	123	142

Figure 16. CW Output Power versus Input Power

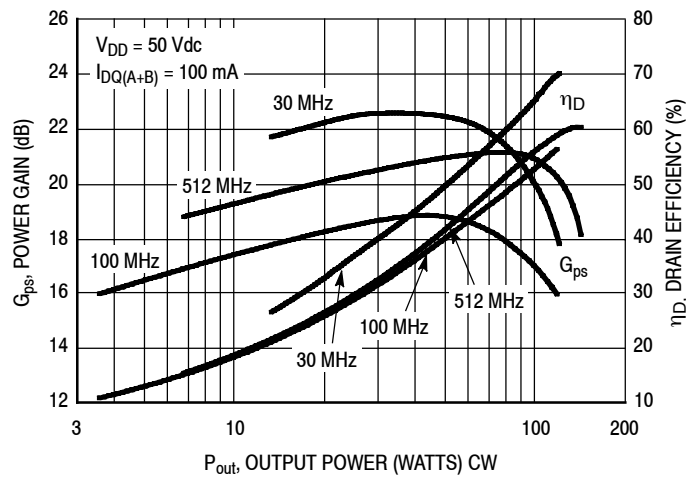
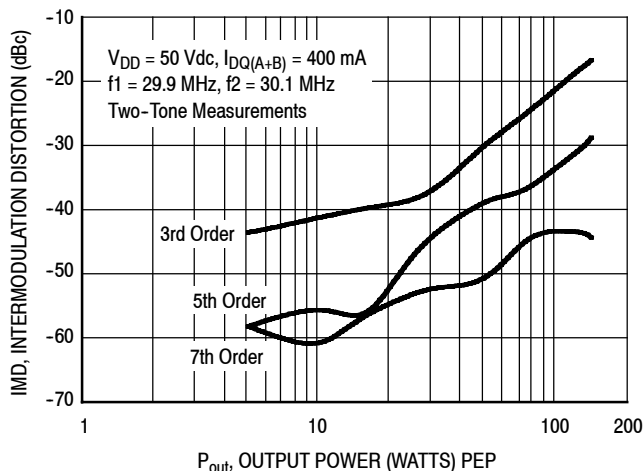
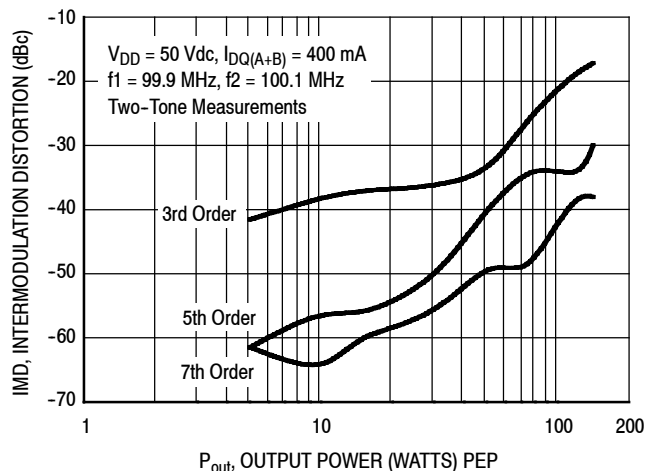


Figure 17. Power Gain and Drain Efficiency versus CW Output Power

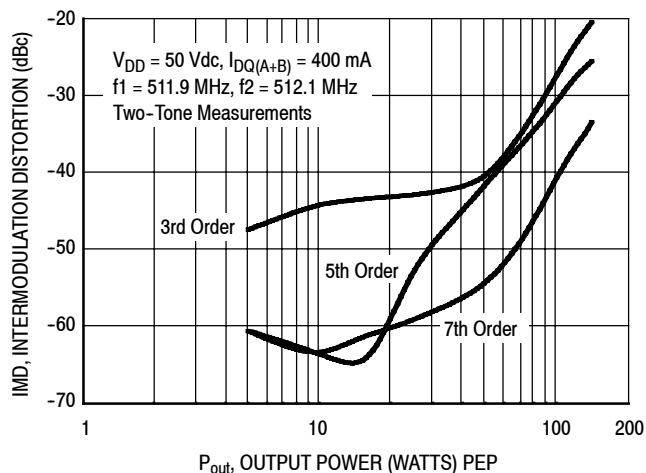
**TYPICAL CHARACTERISTICS — 30-512 MHz  
BROADBAND REFERENCE CIRCUIT — TWO-TONE (1)**



**Figure 18. Intermodulation Distortion Products versus Output Power — 30 MHz**



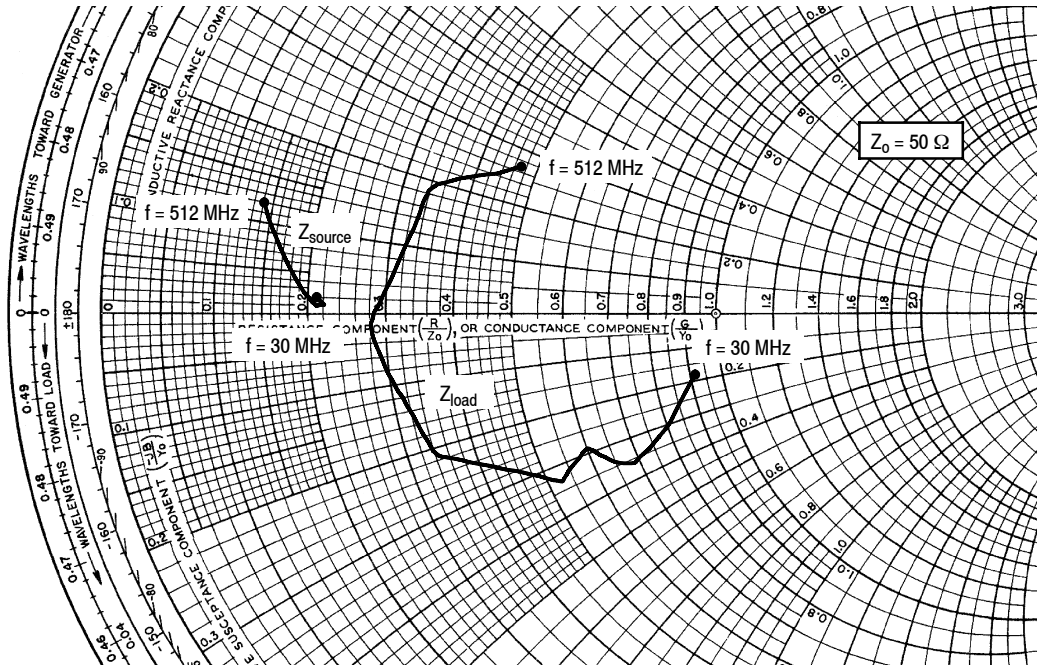
**Figure 19. Intermodulation Distortion Products versus Output Power — 100 MHz**



**Figure 20. Intermodulation Distortion Products versus Output Power — 520 MHz**

1. The distortion products are referenced to one of the two tones and the peak envelope power (PEP) is 6 dB above the power in a single tone.

### 30-512 MHz BROADBAND REFERENCE CIRCUIT



$V_{DD} = 50 \text{ Vdc}$ ,  $P_{out} = 100 \text{ W CW}$

f MHz	$Z_{source}$ $\Omega$	$Z_{load}$ $\Omega$
30	$10.7 + j1.20$	$45.8 - j9.00$
64	$10.9 + j0.70$	$39.7 - j15.4$
88	$10.9 + j0.50$	$33.9 - j18.1$
108	$10.3 + j0.70$	$30.0 - j14.4$
144	$11.0 + j0.70$	$26.0 - j16.7$
170	$10.4 + j0.60$	$21.8 - j13.4$
230	$9.90 + j0.90$	$17.0 - j10.7$
352	$8.90 + j2.30$	$13.8 - j0.60$
450	$7.60 + j4.80$	$16.9 + j9.50$
512	$7.20 + j6.00$	$23.7 + j13.5$

$Z_{source}$  = Test circuit impedance as measured from gate to gate, balanced configuration.

$Z_{load}$  = Test circuit impedance as measured from drain to drain, balanced configuration.

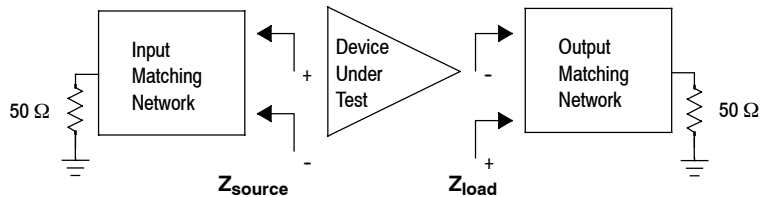
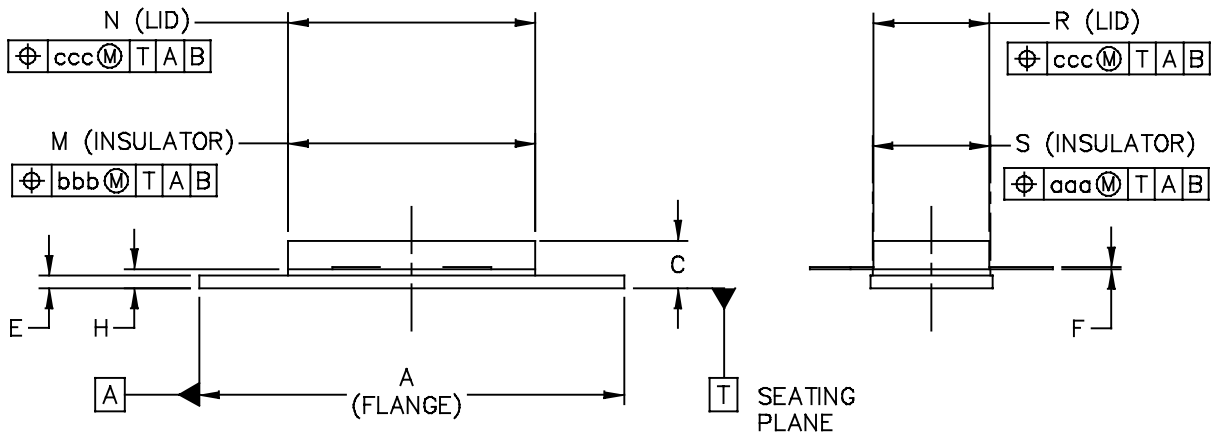
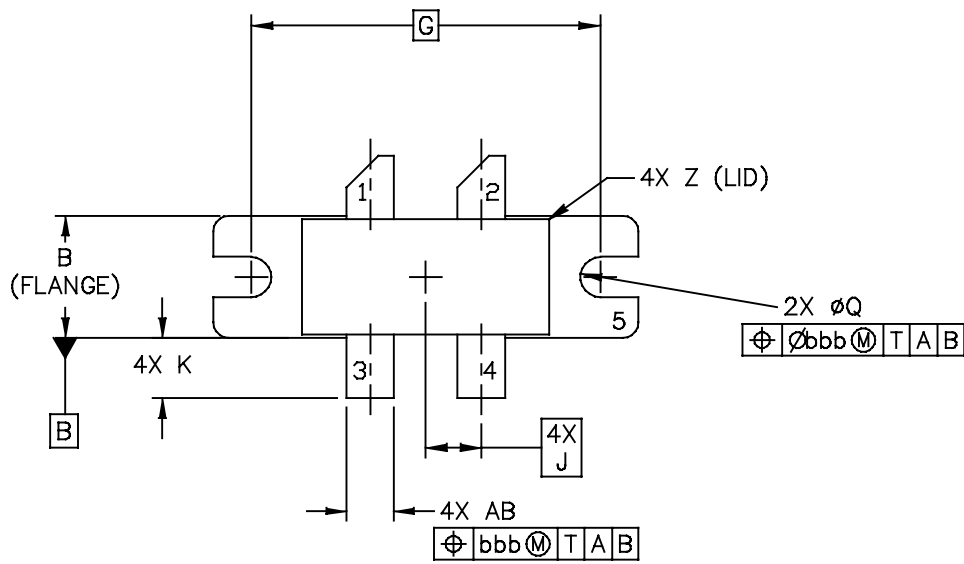


Figure 21. Broadband Series Equivalent Source and Load Impedance — 30-512 MHz

### PACKAGE DIMENSIONS



© FREESCALE SEMICONDUCTOR, INC. ALL RIGHTS RESERVED.	MECHANICAL OUTLINE	PRINT VERSION NOT TO SCALE	
TITLE:  NI 780-4	DOCUMENT NO: 98ASA10793D	REV: 0	
	CASE NUMBER: 465M-01	27 MAR 2007	
	STANDARD: NON-JEDEC		

NOTES:

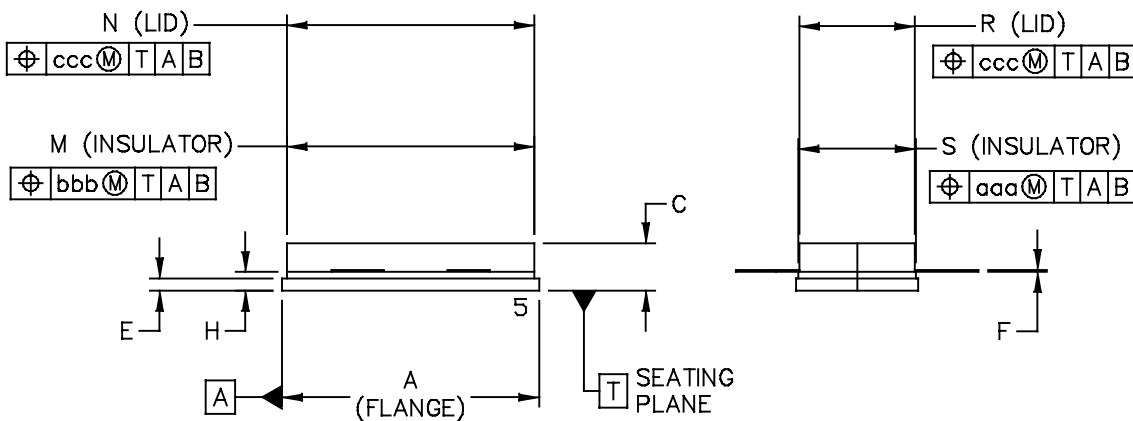
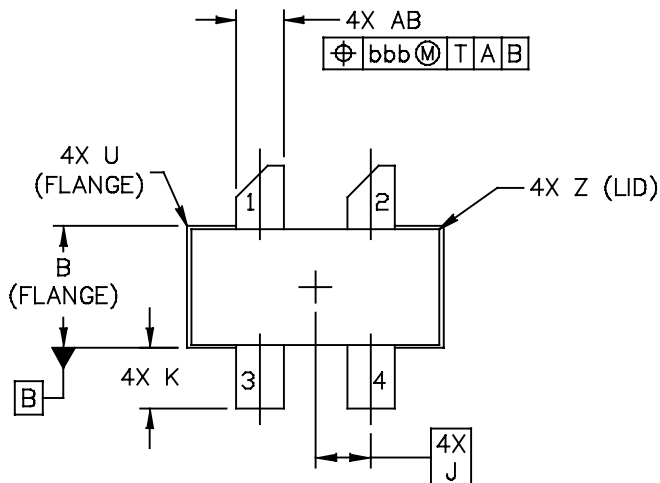
1. DIMENSIONING AND TOLERANCING PER ANSI Y14.5M-1994.
2. CONTROLLING DIMENSION: INCH.
3. DIMENSION H IS MEASURED .030 (0.762) AWAY FROM PACKAGE BODY.

STYLE 1:

- PIN
1. DRAIN
  2. DRAIN
  3. GATE
  4. GATE
  5. SOURCE

DIM	INCH		MILLIMETER		DIM	INCH		MILLIMETER	
	MIN	MAX	MIN	MAX		MIN	MAX	MIN	MAX
A	1.335	1.345	33.91	34.16	R	.365	.375	9.27	9.53
B	.380	.390	9.65	9.91	S	.365	.375	9.27	9.52
C	.125	.170	3.18	4.32	U		.040		1.02
E	.035	.045	0.89	1.14	Z		.030		0.76
F	.003	.006	0.08	0.15	AB	.145	.155	3.68	3.94
G	1.100 BSC		27.94 BSC						
H	.057	.067	1.45	1.7	aaa		.005		0.127
J	.175 BSC		4.44 BSC		bbb		.010		0.254
K	.170	.210	4.32	5.33	ccc		.015		0.381
M	.774	.786	19.61	20.02					
N	.772	.788	19.61	20.02					
Q	Ø.118	Ø.138	Ø3	Ø3.51					
© FREESCALE SEMICONDUCTOR, INC. ALL RIGHTS RESERVED.			MECHANICAL OUTLINE			PRINT VERSION NOT TO SCALE			
TITLE:  NI 780-4					DOCUMENT NO: 98ASA10793D			REV: 0	
					CASE NUMBER: 465M-01			27 MAR 2007	
					STANDARD: NON-JEDEC				





© FREESCALE SEMICONDUCTOR, INC. ALL RIGHTS RESERVED.	MECHANICAL OUTLINE	PRINT VERSION NOT TO SCALE	
TITLE:  NI 780S-4	DOCUMENT NO: 98ASA10718D	REV: A	
	CASE NUMBER: 465H-02	27 MAR 2007	
	STANDARD: NON-JEDEC		

NOTES:

1. DIMENSIONING AND TOLERANCING PER ANSI Y14.5M-1994.
2. CONTROLLING DIMENSION: INCH.
3. DELETED
4. DIMENSION H IS MEASURED .030 (0.762) AWAY FROM PACKAGE BODY.

STYLE 1:

- PIN 1. DRAIN
2. DRAIN
3. GATE
4. GATE
5. SOURCE

DIM	INCH		MILLIMETER		DIM	INCH		MILLIMETER	
	MIN	MAX	MIN	MAX		MIN	MAX	MIN	MAX
A	.805	.815	20.45	20.7	U		.040		1.02
B	.380	.390	9.65	9.91	Z		.030		0.76
C	.125	.170	3.18	4.32	AB	.145	.155	3.68	- 3.94
E	.035	.045	0.89	1.14					
F	.003	.006	0.08	0.15	aaa		.005		0.127
H	.057	.067	1.45	1.7	bbb		.010		0.254
J	.175 BSC		4.44 BSC		ccc		.015		0.381
K	.170	.210	4.32	5.33					
M	.774	.786	19.61	20.02					
N	.772	.788	19.61	20.02					
R	.365	.375	9.27	9.53					
S	.365	.375	9.27	9.52					
© FREESCALE SEMICONDUCTOR, INC. ALL RIGHTS RESERVED.			MECHANICAL OUTLINE			PRINT VERSION NOT TO SCALE			
TITLE:  NI 780S-4					DOCUMENT NO: 98ASA10718D			REV: A	
					CASE NUMBER: 465H-02			27 MAR 2007	
					STANDARD: NON-JEDEC				

## PRODUCT DOCUMENTATION, SOFTWARE AND TOOLS

Refer to the following documents, software and tools to aid your design process.

### Application Notes

- AN1955: Thermal Measurement Methodology of RF Power Amplifiers

### Engineering Bulletins

- EB212: Using Data Sheet Impedances for RF LDMOS Devices

### Software

- Electromigration MTTF Calculator
- RF High Power Model
- .s2p File

### Development Tools

- Printed Circuit Boards

For Software and Tools, do a Part Number search at <http://www.freescale.com>, and select the “Part Number” link. Go to the Software & Tools tab on the part’s Product Summary page to download the respective tool.

## REVISION HISTORY

The following table summarizes revisions to this document.

Revision	Date	Description
0	May 2012	• Initial Release of Data Sheet

### **How to Reach Us:**

**Home Page:**  
freescale.com

**Web Support:**  
freescale.com/support

Information in this document is provided solely to enable system and software implementers to use Freescale products. There are no express or implied copyright licenses granted hereunder to design or fabricate any integrated circuits based on the information in this document.

Freescale reserves the right to make changes without further notice to any products herein. Freescale makes no warranty, representation, or guarantee regarding the suitability of its products for any particular purpose, nor does Freescale assume any liability arising out of the application or use of any product or circuit, and specifically disclaims any and all liability, including without limitation consequential or incidental damages. "Typical" parameters that may be provided in Freescale data sheets and/or specifications can and do vary in different applications, and actual performance may vary over time. All operating parameters, including "typicals," must be validated for each customer application by customer's technical experts. Freescale does not convey any license under its patent rights nor the rights of others. Freescale sells products pursuant to standard terms and conditions of sale, which can be found at the following address: <http://www.reg.net/v2/webservices/Freescale/Docs/TermsandConditions.htm>.

Freescale, the Freescale logo, Altivec, C-5, CodeTest, CodeWarrior, ColdFire, C-Ware, Energy Efficient Solutions logo, Kinetis, mobileGT, PowerQUICC, Processor Expert, QorIQ, Qorivva, StarCore, Symphony, and VortiQa are trademarks of Freescale Semiconductor, Inc., Reg. U.S. Pat. & Tm. Off. Airfast, BeeKit, BeeStack, ColdFire+, CoreNet, Flexis, MagniV, MXC, Platform in a Package, QorIQ Qonverge, QUICC Engine, Ready Play, SafeAssure, SMARTMOS, TurboLink, Vybrid, and Xtrinsic are trademarks of Freescale Semiconductor, Inc. All other product or service names are the property of their respective owners.

© 2012 Freescale Semiconductor, Inc.

# Mouser Electronics

Authorized Distributor

Click to View Pricing, Inventory, Delivery & Lifecycle Information:

[NXP:](#)

[MRFE6VP100HR5](#) [MRFE6VP100HSR5](#)