



## Certifications & Ratings

- RoHS Compliant
- Watertight to Mil-L-3661B spec

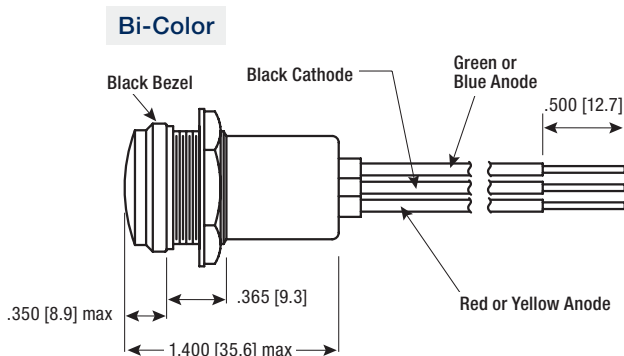
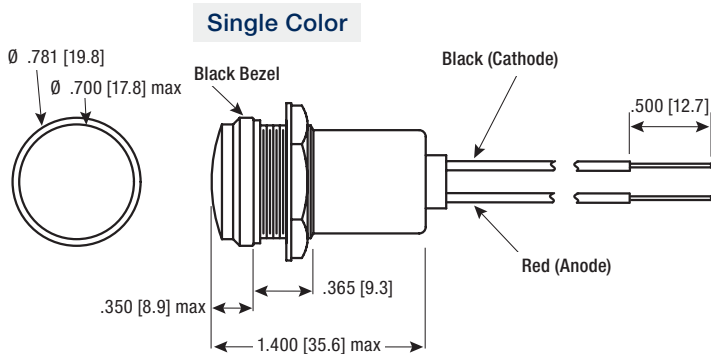
## Application

The 557 Series LED Panel Mount Indicators incorporate both InGaN and AlInGaP technologies to offer higher intensities. This is a highly durable package, designed to withstand outdoor applications susceptible to rain, dust, and sunlight.

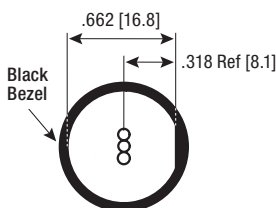
- Instrument panels
- Safety applications
- Transportation—rail, bus, airline
- Vending, gaming
- Lane control
- ... and many more!

## Dimensions

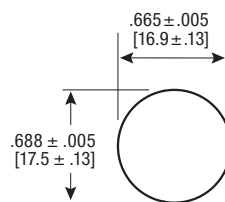
inches [mm]



### Back View of Housing



### Recommended Mounting Hole



## Mechanical information

**Mounting Hole Size:** 0.687" (17.46 mm)

**Max Panel Thickness:** 0.156" (3.96 mm)

**Mounting Torque:** 15 in-lbs torque

## Specifications

**Voltage Options:** 5, 12, 24, and 28VDC (bi-color: 5VDC)

**Operating Temp:** -25°C to +85°C  
(bi-color: -30°C to +80°C)

**Storage Temp:** -30°C to +100°C  
(bi-color: -40°C to +85°C)

**Electrical Connection:** 24 AWG Wire Leads

**Housing:** White Polycarbonate

**Lens Material:** Transparent Polycarbonate (UL 94V-0)

**Wire Leads:** 5.5"

**Lock Washer:** Phosphor Bronze—White Nickel Plated

**Nut:** Brass—White Nickel Plated

## Ordering Information 557 Series

Part Number Guide				RoHS Compliant						
5	5	7	-	1	X X X	-	2	0	3	F
Color						Voltage				
○ White	0	0				2	5	VDC		
● Red	5	0				3	12	VDC		
● Green	6	0				4	24	VDC		
● Yellow	7	0				5	28	VDC		
● Blue	8	0								
●● Red/Green	4	1								
●● Red/Blue	4	2								
●● Yellow/Green	4	3								
●● Yellow/Blue	4	4								
●● Yellow/Red	4	5								

Part Number	Color	Voltage (VDC)	Current (mA)	Typical Intensity (mcd)	
557-1002-203F	○ White	5	16	2860	
557-1502-203F	● Red		80	1020	
557-1602-203F	● Green		16	3270	
557-1702-203F	● Yellow		80	1430	
557-1802-203F	● Blue		16	1020	
557-1412-203F	●● Red/Green		70/16	720/1800	
557-1422-203F	●● Red/Blue		70/16	625/425	
557-1432-203F	●● Yellow/Green		70/16	585/1700	
557-1442-203F	●● Yellow/Blue		70/16	635/445	
557-1452-203F	●● Yellow/Red		70/20	650/350	
557-1003-203F	○ White		12	16	2860
557-1503-203F	● Red			20	1020
557-1603-203F	● Green	16		3270	
557-1703-203F	● Yellow	20		1430	
557-1803-203F	● Blue	16		1020	
557-1005-203F	○ White	16		2860	
557-1505-203F	● Red	24	20	1020	
557-1605-203F	● Green		16	3270	
557-1705-203F	● Yellow		20	1430	
557-1805-203F	● Blue		16	1020	
557-1604-203F	● Green	28	16	3270	
557-1704-203F	● Yellow		20	1430	
557-1804-203F	● Blue		16	1020	

Dialight reserves the right to make changes at any time in order to supply the best product possible. The most current version of this document will always be available at: [www.dialightsignalsandcomponents.com](http://www.dialightsignalsandcomponents.com)

**Warranty Statement:** Except for the warranty expressly provided for [herein/above/below], Dialight disclaims any and all other warranties, express or implied, including, without limitation, any warranties of merchantability, fitness for a particular purpose, title, and noninfringement.