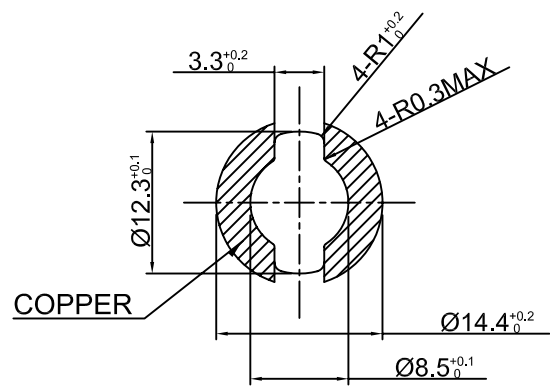
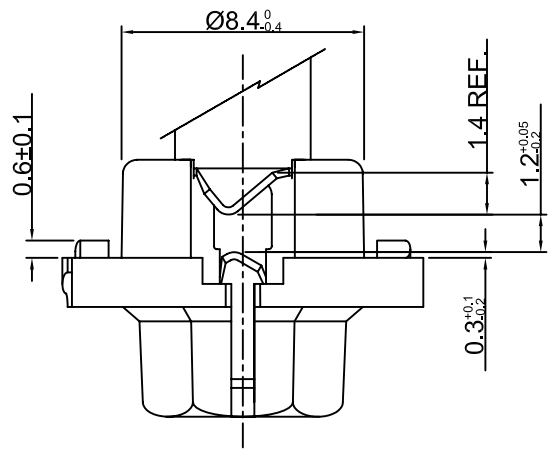
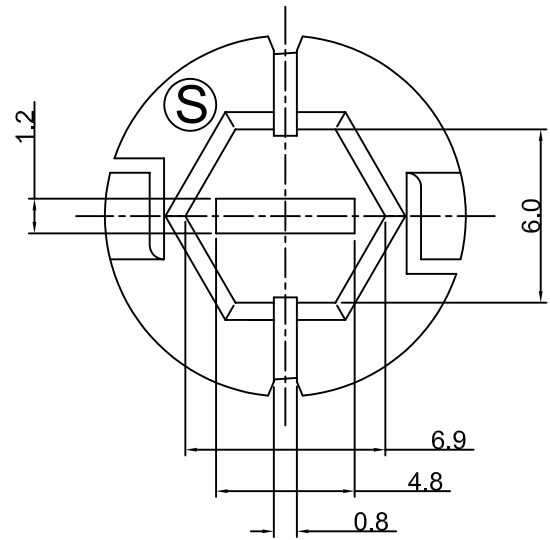
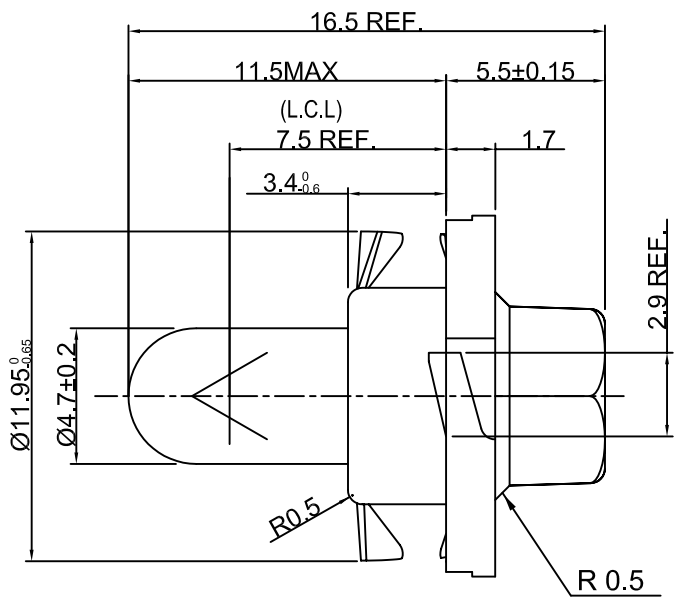
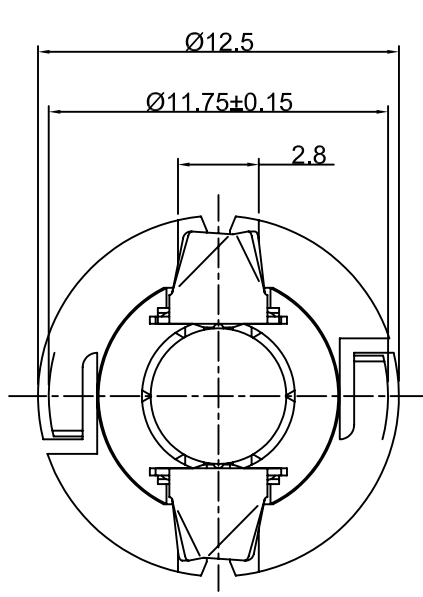


REV.	DESCRIPTION/ECO NO.	DATE
	RELEASED & CANCEL P-0011-01	4/16/01
A	DIMENSION CHANGES	4/27/01
B	DIMENSION CHANGES	4/26/02
C	CHANGE TO LEAD (Pb) FREE	12/10/04



HOLE DIMENSION OF THIS LAMP  
PRINT CIRCUIT BOARD  
(THICKNESS 1.6 +0.1/-0.1)

\*LAMP RATING ONLY WITHOUT BASE  
\*\*LAMP GLASS LEAD (Pb) FREE  
\*\*\*LAMP AND SOCKET ASSEMBLY LEAD (Pb) FREE

CONTACT JKL FOR LEAD (Pb) FREE LOT IDENTIFICATION

LAMP NUMBER: EW87**						
VOLTS RATED	AMPS ± 10%	WATTS	*MSCP ± 25%	*LUMENS ± 25%	AVERAGE LIFE HRS.	FILAMENT TYPE
14.0	.140	1.96	.95	12.0	7,000 DC	C-2V

BASE COLOR: BLACK

JKL PART NO.: WWT2-EW87/BLA\*\*\*

METRIC		DIMENSIONS ARE IN MILLIMETERS		JKL COMPONENTS CORPORATION		
 THIRD ANGLE PROJECTION		TOLERANCE UNLESS OTHERWISE SPECIFIED 1 PL +/- 0.2 2 PL +/- 0.20 ANGLE +/- 0		TITLE WIRE TERMINAL LAMP IN BASE		
DRAWN BY L. WENGSTROM	APPV'D BY J. KAHL	DATE 12/10/04	SIZE A	FSCM NO. 55335	DRAWING NO. WWT2-EW87/BLA	REV. C
- CAD DRAWING - MANUAL REVISIONS NOT PERMITTED			SCALE NONE	RELEASED DATE 4/16/01	REVISION DATE 12/10/04	SHEET 1 OF 1

# Mouser Electronics

Authorized Distributor

Click to View Pricing, Inventory, Delivery & Lifecycle Information:

[JKL Components:](#)

[WWT2-EW87/BLA](#)