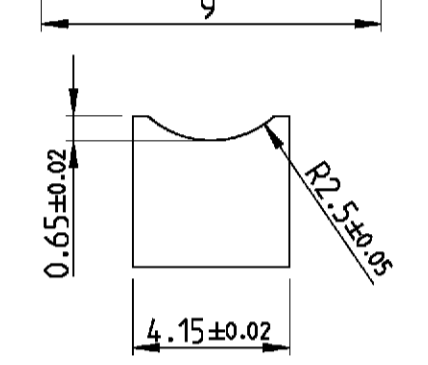
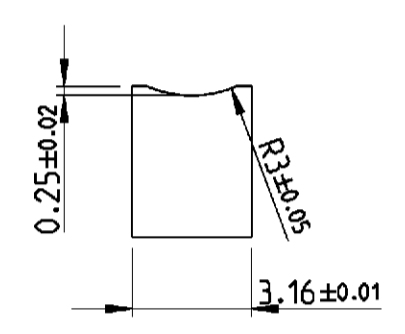
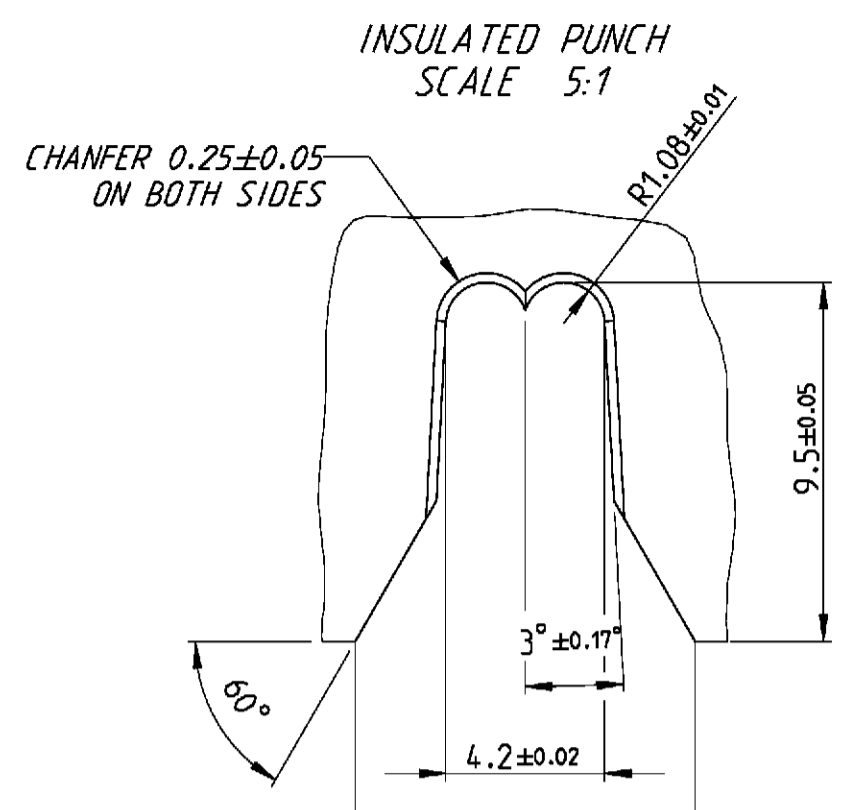
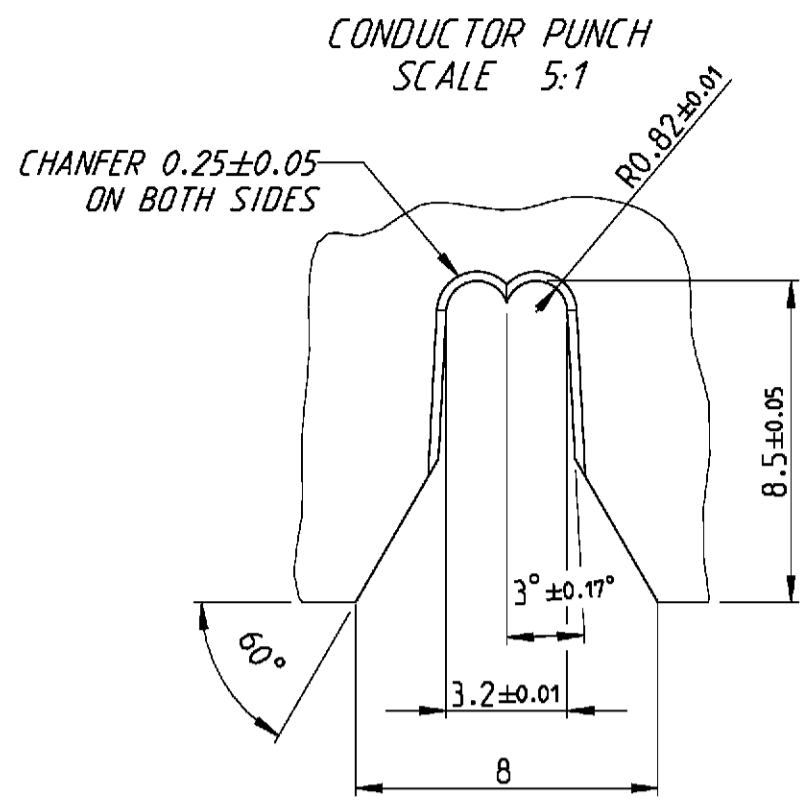


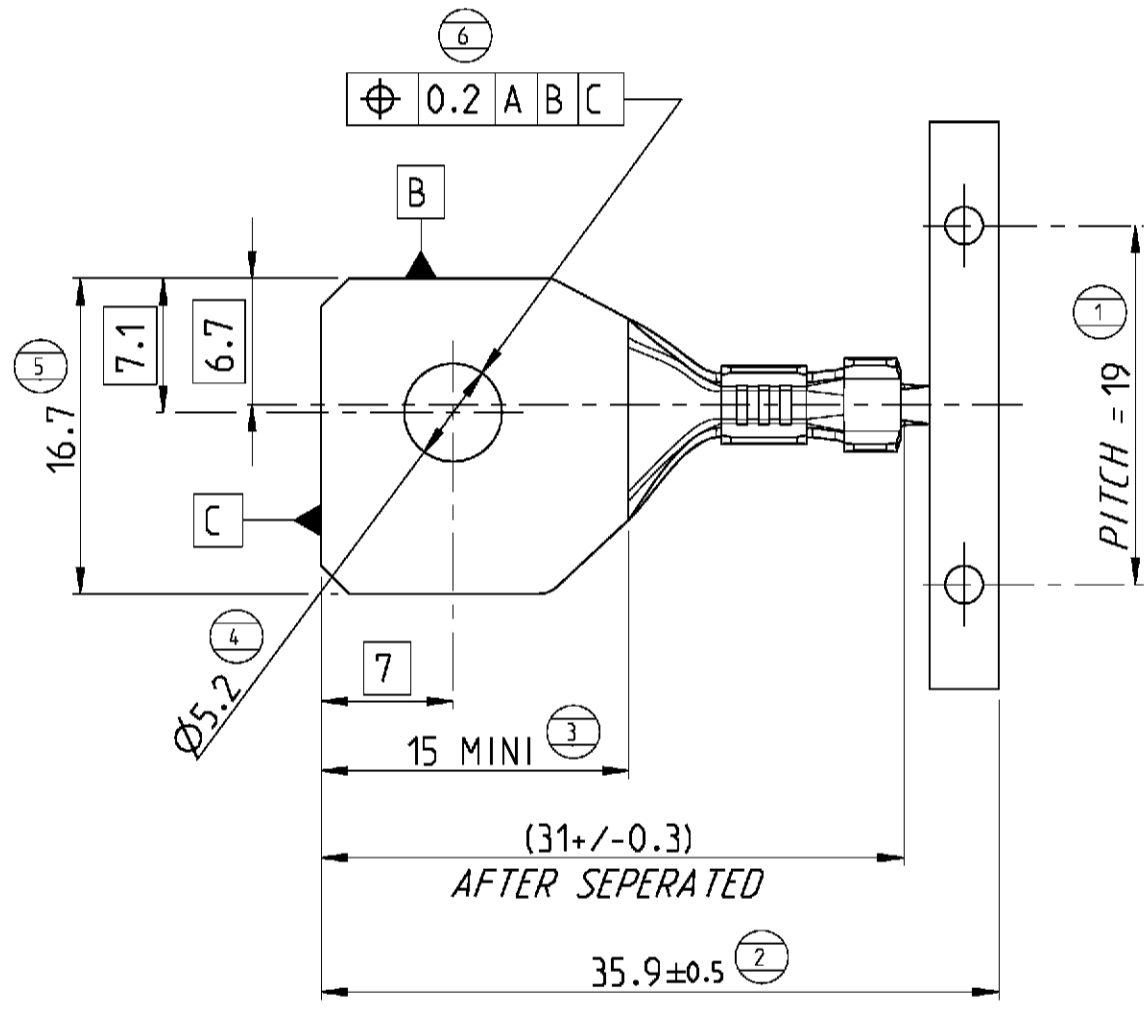
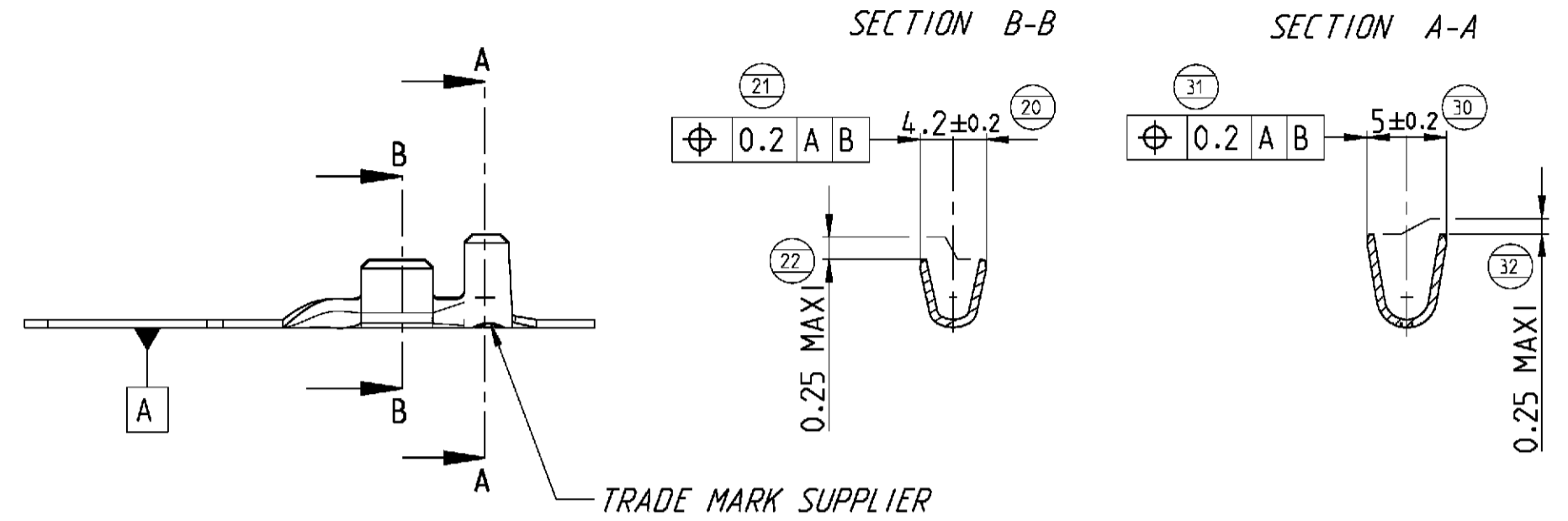
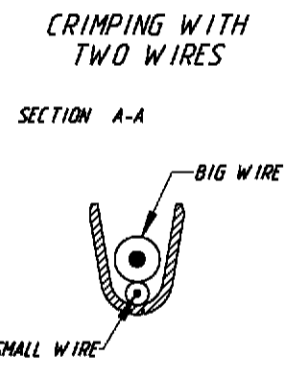
LOC		DIST		REVISIONS			
P	LTR	DESCRIPTION	DATE	DWN	APVD		
F	00	C	ADD PACKAGING SPEC AND REVIEW DIMENSIONS	30JUN2010	PFS	JDp	



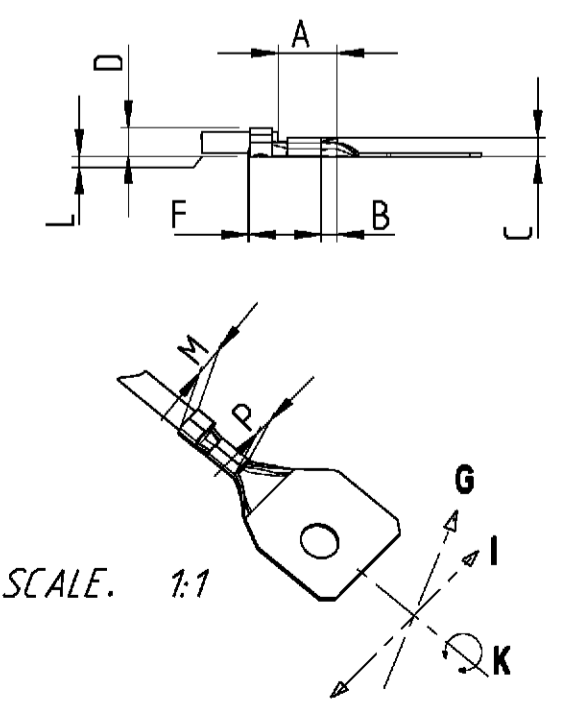
SURFACES FINISH POLI-MIRROR
 0.1

CRIMPING PARAMETERS					
COPPER CRIMPING			INSULATED CRIMPING		
SECTION	WIDTH P ±0.1	HIGHT C ±0.05	EQUIVALENT DIAMETER	WIDTH M ± 0.1	HIGHT D ± 0.05
1 ² T3/R3S	3.28	2.03	2.05	4.28	3.6
1.5 ² T3/R3S	3.30	2.15	2.2	4.28	3.75
1 ² +1 ²	3.31	2.32	2.7	4.3	3.84
2 ² T3/R3S	3.31	2.32	2.7	4.3	3.84
2.5 ² T3/R3S	3.32	2.32	2.8	4.30	3.95

MATERIAL THICKNESS 0.5 ±0.03



CHARACTERISTICS TO CHECK		VALUE	REPERE
DEFORMATION AFTER CRIMPING	UP BENDING	//	G
	DOWN BENDING	//	H
	TWIST	5° MAXI	K
AXIAL DEFORMATION		3° MAXI	I - J
STRIPPING LENGTH		6 ^{+0.8}	A
WIRE EXCESS		0.8 ±0.4	B
CUT OFF		0.3 MAXI	F
CUT OFF DEFORMATION OR FLASH		0.1 MAXI	L



TE PART NUMBER	CUSTOMER PART NUMBER	MATERIAL	FINISH SURFACE	PACKAGING
1544391-1		CuZn15	PRE-TINNED 4 to 10µ SEE 112-20-7	SEE 107-15651

THIS DRAWING IS A CONTROLLED DOCUMENT FOR TYCO ELECTRONICS CORPORATION. IT IS SUBJECT TO CHANGE AND THE CONTROLLING ENGINEERING ORGANIZATION SHOULD BE CONTACTED FOR THE LATEST REVISION.		DWN P.FLORES 30JUN2010 CHK E.SAPET 30JUN2010 APVD J.DAHER 30JUN2010	Tyco Electronics Tyco Electronics France SAS 517, Avenue de la Boisse, 73000 Chambéry
DIMENSIONS: mm TOLERANCES UNLESS OTHERWISE SPECIFIED: 0 PLC ±0.1 1 PLC ±0.1 2 PLC ±0.1 3 PLC ±0.1 4 PLC ±0.1 ANGLES ±2° FINISH	MATERIAL: SEE TABLE SEE TABLE	NAME: CONTACTOR LUG WIRE RANGE 1 TO 2.5SQmm SIZE: A2 CAGE CODE: 00779 DRAWING NO: C-1544391 WEIGHT: 0.00065kg	RESTRICTED TO: - SCALE: 5:2 SHEET: 1 OF 1 REV: C

Mouser Electronics

Authorized Distributor

Click to View Pricing, Inventory, Delivery & Lifecycle Information:

[TE Connectivity:](#)

[1544391-1](#)