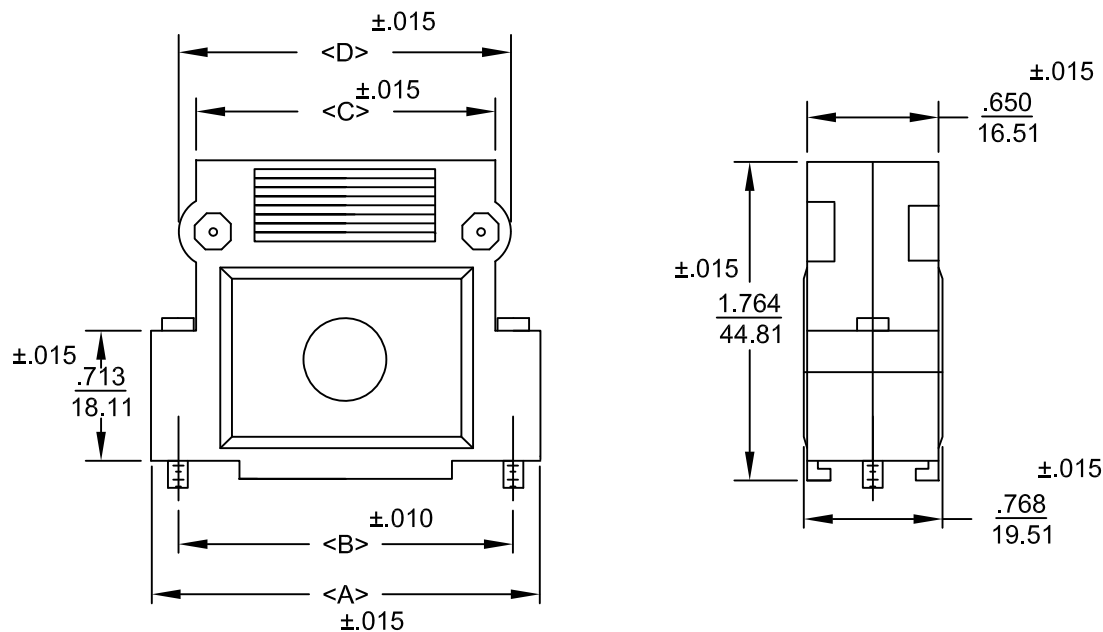


**BACKSHELL KIT INCLUDES:**

- (2) BACKSHELL HALVES
- (2) 4-40 MATING SCREWS
- (2) HOUSING SCREWS
- (2) HOUSING NUTS

POS.	A	B	C	D
9	1.319	.984	.758	.946
	33.50	24.99	19.25	24.03
15	1.622	1.312	1.102	1.289
	41.20	33.32	27.99	32.74
25	2.157	1.852	1.642	1.874
	54.79	47.04	41.71	47.60
37	2.815	2.500	2.283	2.470
	71.50	63.50	57.99	62.74



**METALIZED PLASTIC:**  
**MATERIALS:** ABS HIGH TEMPERATURE PLASTIC 94HB  
**PLATING:** CHROME - ELECTROPLATED  
**PLASTIC:**  
**MATERIALS:** ABS HIGH TEMPERATURE PLASTIC 94HB - GREY

976-YYY-YYYRYY1

SERIES \_\_\_\_\_  
 POSITIONS \_\_\_\_\_  
 009  
 015  
 025  
 037  
 MATERIAL \_\_\_\_\_  
 010 = PLASTIC  
 020 = METALIZED PLASTIC  
 COLOR: \_\_\_\_\_  
 03 = GREY  
 12 = NICKEL OVER COPPER  
 PUT-UPS \_\_\_\_\_  
 1 = KIT

**RoHS COMPLIANT**

UNITS = INCHES [MM] **DO NOT SCALE FROM DRAWING**



THESE DRAWINGS AND SPECIFICATIONS ARE THE PROPERTY OF NorComp AND SHALL NOT BE REPRODUCED, COPIED OR USED AS THE BASIS FOR THE MANUFACTURE OR SALE OF APPARATUS WITHOUT WRITTEN PERMISSION.

DRAWN:

J. KADEL

DATE:

09/05/2018

**NorComp**

SCALE:  
NTS

SHEET OF  
1 1

REV  
2

DWG NO.

976-YYY-0Y0RYY1

# Mouser Electronics

Authorized Distributor

Click to View Pricing, Inventory, Delivery & Lifecycle Information:

[NorComp:](#)

[976-037-010R031](#) [976-009-010R031](#) [976-025-010R031](#) [976-015-010R031](#) [976-009-020R121](#) [976-025-020R121](#)  
[976-015-020R121](#) [976-037-020R121](#)