

# Customer Information Sheet

DRAWING No.: M50-360XX42P

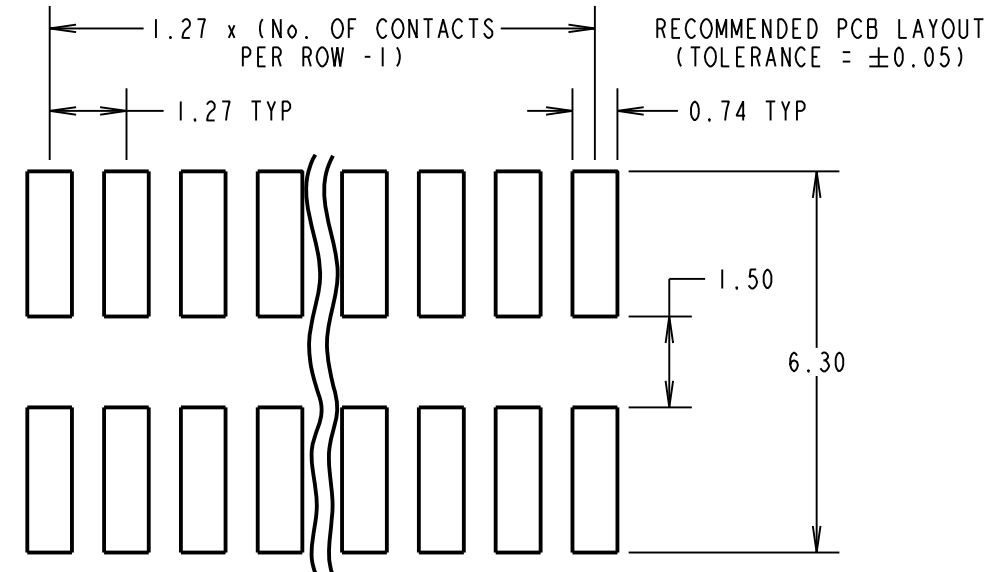
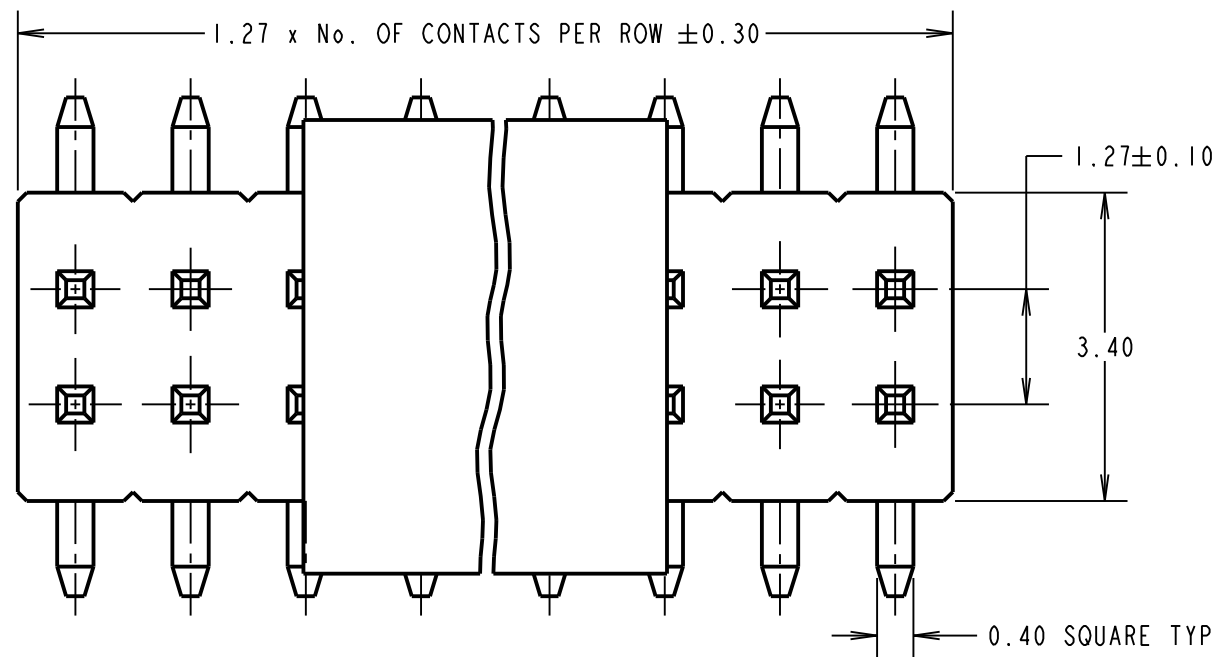
IF IN DOUBT - ASK

©

NOT TO SCALE

THIRD ANGLE PROJECTION

ALL DIMENSIONS IN mm



**OBSOLETE**  
 No. of contacts per row = 16 to 19, 21 to 24, 26 to 50  
 Last Time Buy = 15th June 2018

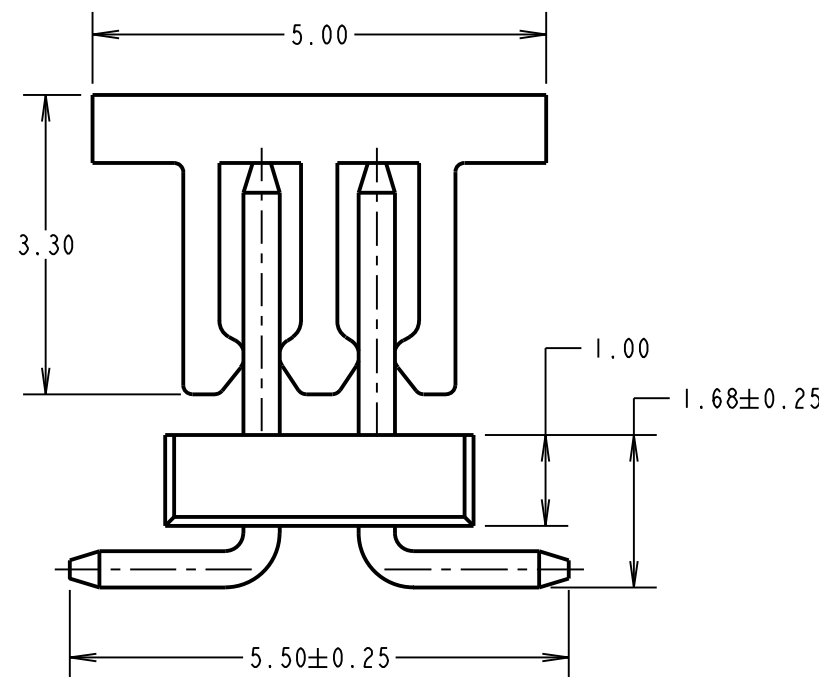
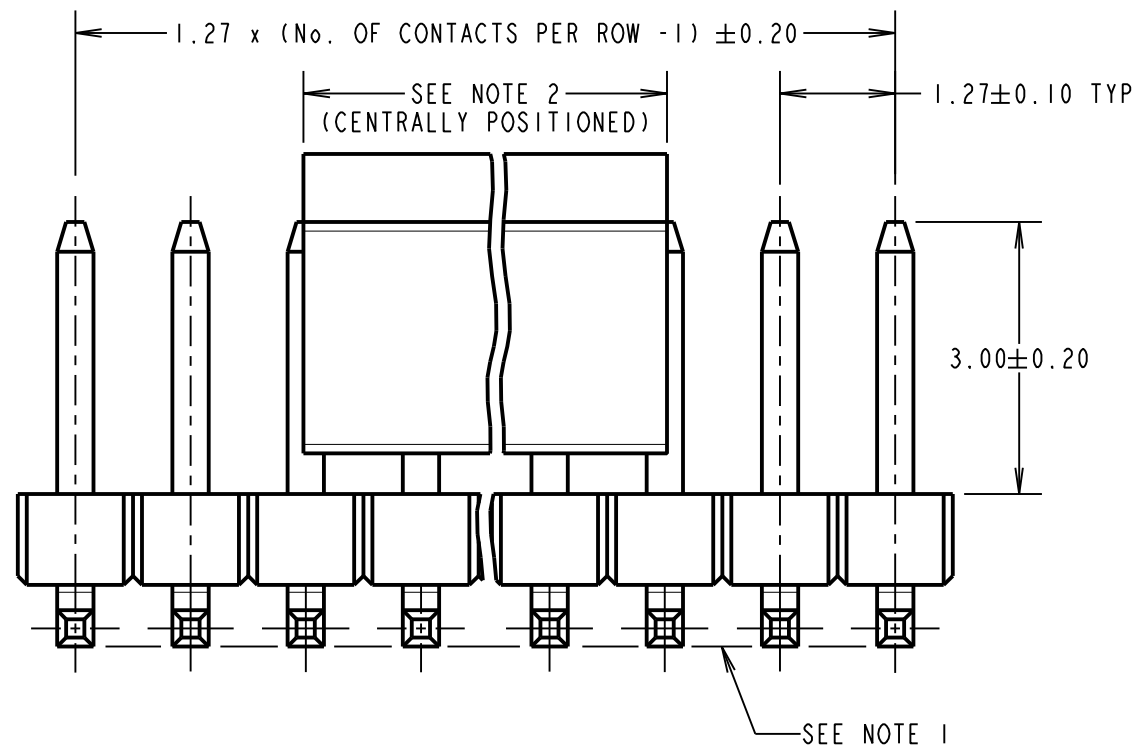
**SPECIFICATIONS:**

**MATERIAL:**  
 MOULDING = HIGH TEMP THERMOPLASTIC, UL94V-0, BLACK  
 CONTACTS = COPPER ALLOY  
**FINISH:**  
 CONTACTS = 0.70 TO 1.30 $\mu$  NICKEL ALL OVER, 0.08 TO 0.15 $\mu$  GOLD ON CONTACT AREA, 2.50 TO 3.00 $\mu$  100% TIN ON TAILS

**ELECTRICAL:**  
 CURRENT RATING = 1A  
 CONTACT RESISTANCE = 20m $\Omega$  MAX  
 INSULATION RESISTANCE = 1000M $\Omega$  MIN  
 DIELECTRIC WITHSTANDING = 1000V AC FOR ONE MINUTE

**MECHANICAL:**  
 DURABILITY = 300 CYCLES MIN  
**ENVIRONMENTAL:**  
 TEMPERATURE RANGE = -40°C TO +105°C  
**PACKING:**  
 BOX

FOR COMPLETE SPECIFICATION, SEE COMPONENT SPECIFICATION C029XX (LATEST ISSUE)



**NOTES:**

- CO-PLANARITY OF TAILS FOR 02 TO 30 CONTACTS PER ROW = 0.15mm, 31 TO 50 CONTACTS PER ROW = 0.20mm.
- PICK AND PLACE CAP LENGTH = 3.60mm FOR 02 TO 05 CONTACTS PER ROW, 6.40mm FOR 06 TO 50 CONTACTS PER ROW.
- ALL TOLERANCES ARE  $\pm 0.15$ , UNLESS OTHERWISE STATED.

ORDER CODE:  
**M50-360XX42P**

No. OF CONTACTS PER ROW: \_\_\_\_\_  
**02 to 15, 20, 25**

FINISH: \_\_\_\_\_  
 42 = SELECTIVE GOLD & 100% TIN OVER NICKEL

**HARWIN**  
 www.harwin.com  
 technical@harwin.com

THIS DRAWING AND ANY INFORMATION OR DESCRIPTIVE MATTER SET OUT HEREON ARE CONFIDENTIAL AND COPYRIGHT PROPERTY OF THE HARWIN GROUP AND MUST NOT BE DISCLOSED, LOANED, COPIED OR USED FOR MANUFACTURING, TENDERING OR FOR ANY OTHER PURPOSE WITHOUT THEIR WRITTEN PERMISSION.

**TOLERANCES**  
 X =  $\pm 1$ mm  
 X.X =  $\pm 0.25$ mm  
 X.XX =  $\pm 0.10$ mm  
 X.XXX =  $\pm 0.01$ mm  
 ANGLES =  $\pm 5^\circ$   
 UNLESS STATED

**MATERIAL:**  
 SEE ABOVE

**FINISH:** SEE ABOVE

**S/AREA:** mm<sup>2</sup>

**TITLE:** 1.27mm PITCH DIL VERTICAL SMT PIN HEADER (WITH PICK & PLACE CAP)

**DRAWING NUMBER:**  
**M50-360XX42P**

SHT 2 OF 2

SB	8	19.03.13	11904
NAME	ISS.	DATE	C/NOTE
APPROVED: S.BENNETT			
CHECKED: S.FLOWER			
DRAWN: J.M.BROOKES			
CUSTOMER REF.:			
ASSEMBLY DRG:			

# Mouser Electronics

Authorized Distributor

Click to View Pricing, Inventory, Delivery & Lifecycle Information:

[Harwin:](#)

[M50-3600242](#) [M50-3600542](#) [M50-3600642](#) [M50-3600742](#) [M50-3600842](#) [M50-3600942](#) [M50-3601042](#) [M50-3601142](#) [M50-3601242](#) [M50-3601542](#) [M50-3602042](#) [M50-3602542](#)