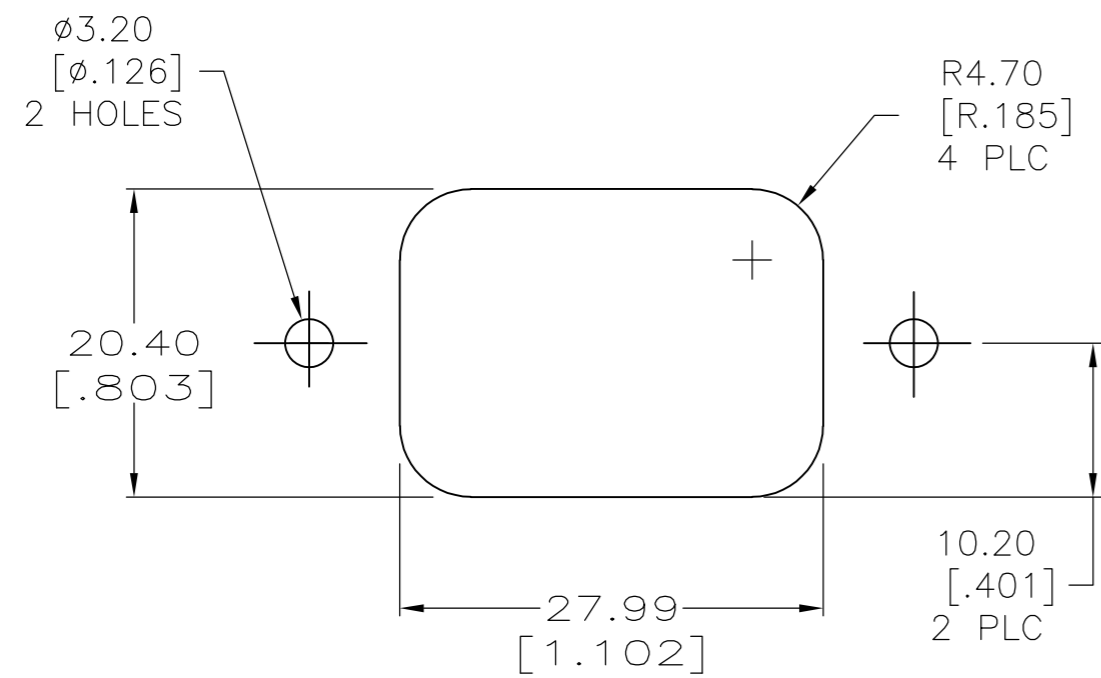
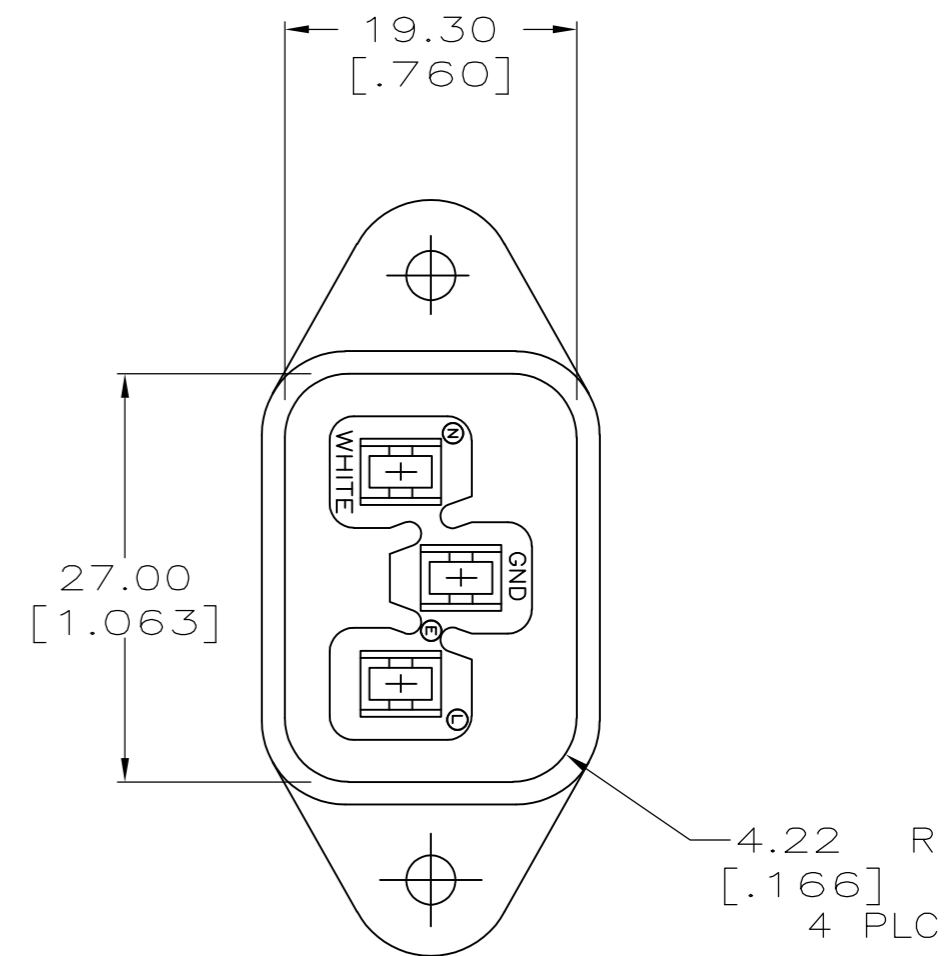
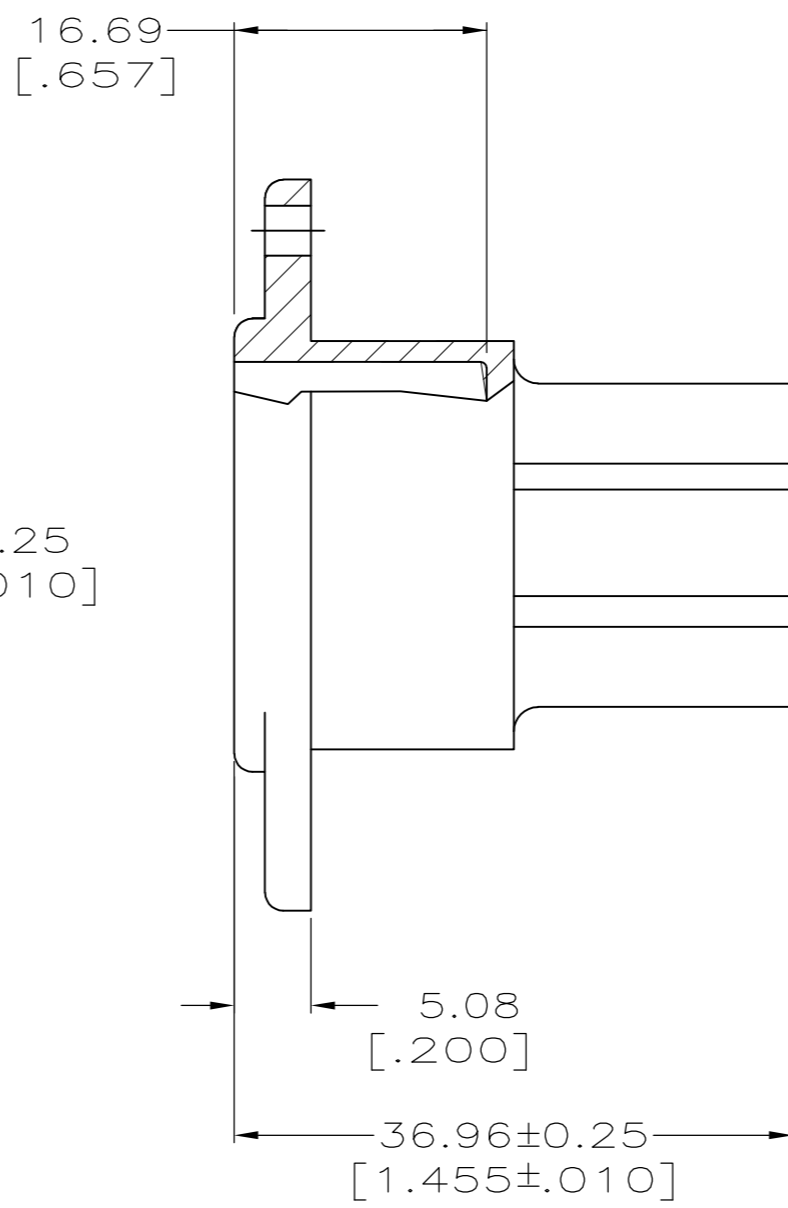
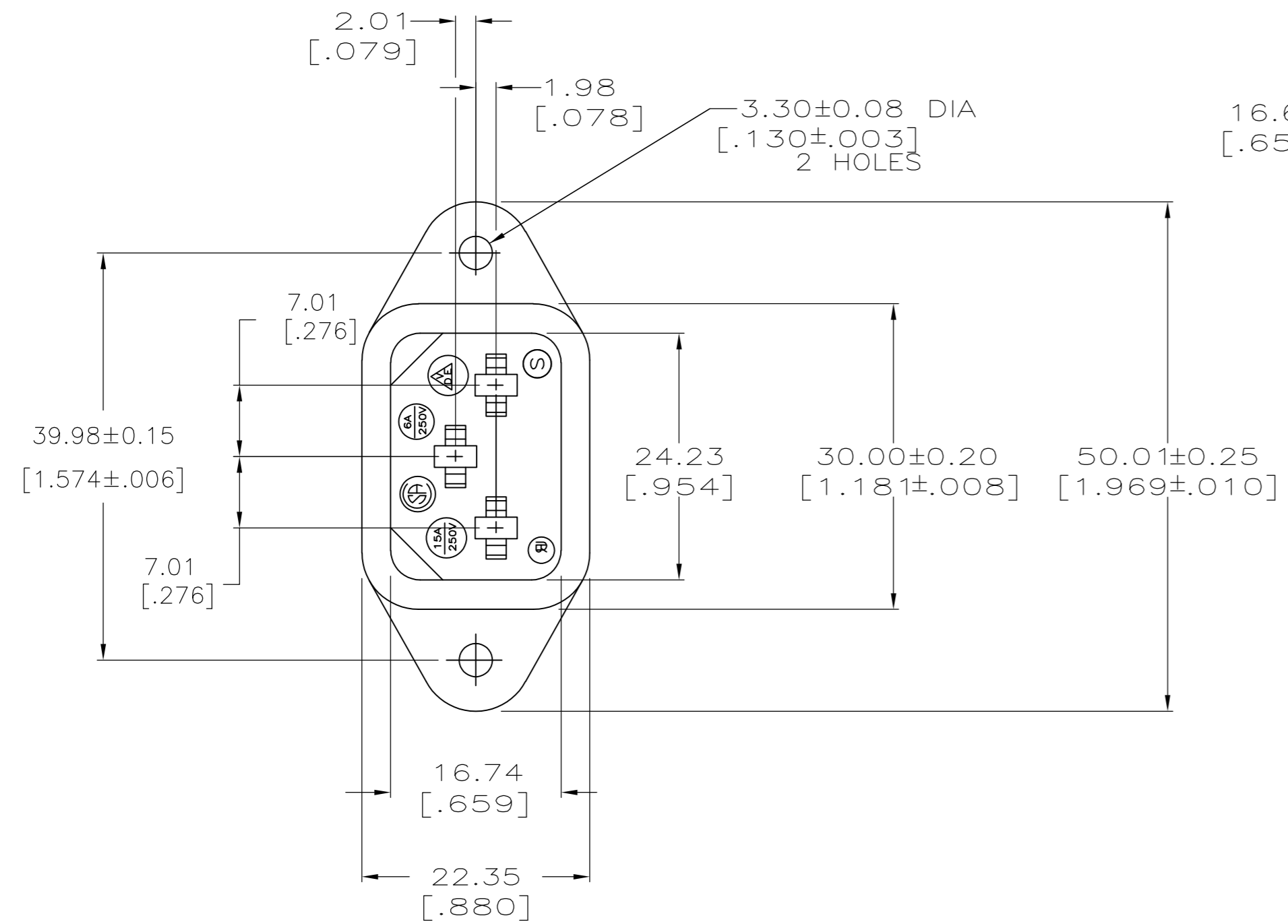


THIS DRAWING IS UNPUBLISHED. RELEASED FOR PUBLICATION  
 © COPYRIGHT - By - ALL RIGHTS RESERVED.

LOC	DIST	REVISIONS			
P	LTR	DESCRIPTION	DATE	DWN	APVD
FT	0	M1	REVISED PER ECO-11-005027	11MAR11	RK HMR



RECOMMENDED PANEL OPENING

1 MATERIAL: PLYESTER, UL94V-0 RATED, GLASS FILLED, BLACK.

THIS DRAWING IS A CONTROLLED DOCUMENT.		DWN H.MOLL 04-18-91		
		CHK R.STONE 05-09-91		
DIMENSIONS: mm		APVD -	NAME	
TOLERANCES UNLESS OTHERWISE SPECIFIED:		PRODUCT SPEC -	RECEPTACLE, POWER CORD	
0 PLC ± - 1 PLC ± - 2 PLC ± 0.13[.005] 3 PLC ± - 4 PLC ± - ANGLES ± -		APPLICATION SPEC -	SIZE A2	CAGE CODE 00779
MATERIAL - 1		FINISH -	DRAWING NO C=206637	RESTRICTED TO -
		WEIGHT -	SCALE 2:1	SHEET 1 of 1
		CUSTOMER DRAWING	REV M1	

206637-1  
PART NUMBER

206637

# Mouser Electronics

Authorized Distributor

Click to View Pricing, Inventory, Delivery & Lifecycle Information:

[TE Connectivity:](#)

[206637-1](#)