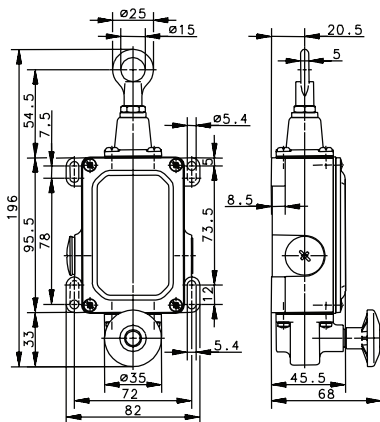


SID and SIN Latching with Reset Button

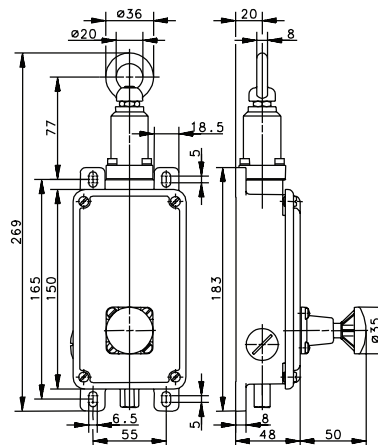


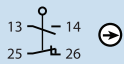
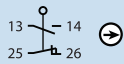
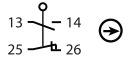
Pull Cable to change contact state, push button to reset

SID RAST





SIN RAST



<p>Variant 1</p>	<p>Article No. Designation Max. span Type</p> <p>611.2431.050 SID-UV1Z P-RAST 144.8 Ft. (35 Meters) Metal Body with Tension Monitor</p> 	<p>601.3531.367 SIN-UV1Z P-RAST 196.8 Ft. (60 Meters) Metal Body with Tension Monitor</p> 
<p>Variant 2</p>	<p>Article No. Designation Max. span Type</p> <p>601.2441.907 SID-UV2Z P-RAST 59 Ft. (18 Meters) Metal Body with Tension Monitor</p> 	
<p>Variant 3</p>		

Technical Information

Maximum Switching Voltage	240V	240V
Maximum Switching Amperage	16A	10A
B10d	On Request	On Request
Mechanical Service Life	1 x 10 ⁶	1 x 10 ⁶
Switching Frequency	≤ 20/min	≤ 20/min
Operating Temperature	-30 °C to +80 °C	-30 °C to +80 °C
Protection Rating	IP65	IP65
Utilization Category	AC-15, U _e /I _e 240 V / 3 A	AC-15, U _e /I _e 240 V / 3 A
Rate Insulation Voltage	400VAC	400VAC
Approvals		

Drawing dimensions in mm

Mouser Electronics

Authorized Distributor

Click to View Pricing, Inventory, Delivery & Lifecycle Information:

[Altech:](#)

[611.2431.050](#) [601.3531.367](#) [601.2441.907](#)