

THIS DRAWING IS UNPUBLISHED. RELEASED FOR PUBLICATION
 © COPYRIGHT - By - ALL RIGHTS RESERVED.

| LOC | DIST | REVISIONS | | | | | |
|-----|------|-----------|-----|---------------------------|---------|-----|------|
| AD | 39 | P | LTR | DESCRIPTION | DATE | DWN | APVD |
| | | U3 | | REVISED PER ECO-11-004587 | 11MAR11 | RK | HMR |

| | | | | | | | |
|-------------------------|---|-----|---------------|---------------|---------------|----|-----------|
| SUPERSEDED BY 3-87499-4 | △ | - | 45.85 [1.805] | 20.32 [.800] | 22.86 [.900] | 18 | 8-87499-9 |
| SUPERSEDED BY 3-87499-2 | △ | - | 43.31 [1.705] | 20.32 [.800] | 20.32 [.800] | 17 | 8-87499-8 |
| SUPERSEDED BY 3-87499-0 | △ | - | 40.77 [1.605] | 17.78 [.700] | 20.32 [.800] | 16 | 8-87499-7 |
| SUPERSEDED BY 2-87499-8 | △ | - | 38.23 [1.505] | 17.78 [.700] | 17.78 [.700] | 15 | 8-87499-6 |
| SUPERSEDED BY 2-87499-6 | △ | - | 35.69 [1.405] | 15.24 [.600] | 17.78 [.700] | 14 | 8-87499-5 |
| SUPERSEDED BY 2-87499-4 | △ | - | 33.15 [1.305] | 15.24 [.600] | 15.24 [.600] | 13 | 8-87499-4 |
| SUPERSEDED BY 2-87499-2 | △ | - | 30.61 [1.205] | 12.70 [.500] | 15.24 [.600] | 12 | 8-87499-3 |
| SUPERSEDED BY 2-87499-0 | △ | - | 28.07 [1.105] | 12.70 [.500] | 12.70 [.500] | 11 | 8-87499-2 |
| SUPERSEDED BY 1-87499-8 | △ | - | 25.53 [1.005] | 10.16 [.400] | 12.70 [.500] | 10 | 8-87499-1 |
| SUPERSEDED BY 1-87499-6 | △ | - | 22.99 [.905] | 10.16 [.400] | 10.16 [.400] | 9 | 8-87499-0 |
| OBSOLETE | △ | - | 20.45 [.805] | 7.62 [.300] | 10.16 [.400] | 8 | 7-87499-9 |
| SUPERSEDED BY 87499-2 | △ | - | 17.91 [.705] | 7.62 [.300] | 7.62 [.300] | 7 | 7-87499-8 |
| SUPERSEDED BY 1-87499-2 | △ | - | 15.37 [.605] | 5.08 [.200] | 7.62 [.300] | 6 | 7-87499-7 |
| SUPERSEDED BY 1-87499-0 | △ | - | 12.83 [.505] | 5.08 [.200] | 5.08 [.200] | 5 | 7-87499-6 |
| SUPERSEDED BY 87499-8 | △ | - | 10.29 [.405] | 2.54 [.100] | 5.08 [.200] | 4 | 7-87499-5 |
| SUPERSEDED BY 87499-6 | △ | - | 7.75 [.305] | 2.54 [.100] | 2.54 [.100] | 3 | 7-87499-4 |
| SUPERSEDED BY 87499-4 | △ | - | 5.21 [.205] | - | 2.54 [.100] | 2 | 7-87499-3 |
| | | - | 2.67 [.105] | - | - | 1 | 7-87499-2 |
| SUPERSEDED BY 7-87499-2 | | ALL | 2.67 [.105] | - | - | 1 | 7-87499-1 |
| | | - | 91.57 [3.605] | 43.18 [1.700] | 45.72 [1.800] | 36 | 7-87499-0 |
| OBSOLETE | △ | ALL | 91.57 [3.605] | 43.18 [1.700] | 45.72 [1.800] | 36 | 6-87499-9 |
| OBSOLETE | △ | - | 89.03 [3.505] | 43.18 [1.700] | 43.18 [1.700] | 35 | 6-87499-8 |
| OBSOLETE | △ | ALL | 89.03 [3.505] | 43.18 [1.700] | 43.18 [1.700] | 35 | 6-87499-7 |
| OBSOLETE | △ | - | 86.49 [3.405] | 40.64 [1.600] | 43.18 [1.700] | 34 | 6-87499-6 |
| OBSOLETE | △ | ALL | 86.49 [3.405] | 40.64 [1.600] | 43.18 [1.700] | 34 | 6-87499-5 |
| OBSOLETE | △ | - | 83.95 [3.305] | 40.64 [1.600] | 40.64 [1.600] | 33 | 6-87499-4 |
| OBSOLETE | △ | ALL | 83.95 [3.305] | 40.64 [1.600] | 40.64 [1.600] | 33 | 6-87499-3 |
| OBSOLETE | △ | - | 81.41 [3.205] | 38.10 [1.500] | 40.64 [1.600] | 32 | 6-87499-2 |
| OBSOLETE | △ | ALL | 81.41 [3.205] | 38.10 [1.500] | 40.64 [1.600] | 32 | 6-87499-1 |
| OBSOLETE | △ | - | 78.87 [3.105] | 38.10 [1.500] | 38.10 [1.500] | 31 | 6-87499-0 |
| OBSOLETE | △ | ALL | 78.87 [3.105] | 38.10 [1.500] | 38.10 [1.500] | 31 | 5-87499-9 |
| | | - | 76.33 [3.005] | 35.56 [1.400] | 38.10 [1.500] | 30 | 5-87499-8 |
| OBSOLETE | △ | ALL | 76.33 [3.005] | 35.56 [1.400] | 38.10 [1.500] | 30 | 5-87499-7 |
| OBSOLETE | △ | - | 73.79 [2.905] | 35.56 [1.400] | 35.56 [1.400] | 29 | 5-87499-6 |
| OBSOLETE | △ | ALL | 73.79 [2.905] | 35.56 [1.400] | 35.56 [1.400] | 29 | 5-87499-5 |
| | | - | 71.25 [2.805] | 33.02 [1.300] | 35.56 [1.400] | 28 | 5-87499-4 |
| OBSOLETE | △ | ALL | 71.25 [2.805] | 33.02 [1.300] | 35.56 [1.400] | 28 | 5-87499-3 |
| OBSOLETE | △ | - | 68.71 [2.705] | 33.02 [1.300] | 33.02 [1.300] | 27 | 5-87499-2 |
| OBSOLETE | △ | ALL | 68.71 [2.705] | 33.02 [1.300] | 33.02 [1.300] | 27 | 5-87499-1 |
| OBSOLETE | △ | - | 66.17 [2.605] | 30.48 [1.200] | 33.02 [1.300] | 26 | 5-87499-0 |
| OBSOLETE | △ | ALL | 66.17 [2.605] | 30.48 [1.200] | 33.02 [1.300] | 26 | 4-87499-9 |
| OBSOLETE | △ | - | 63.63 [2.505] | 30.48 [1.200] | 30.48 [1.200] | 25 | 4-87499-8 |

| | | | | | | | |
|-------------------------|---|-----|---------------|---------------|---------------|----|-----------|
| OBSOLETE | △ | ALL | 63.63 [2.505] | 30.48 [1.200] | 30.48 [1.200] | 25 | 4-87499-7 |
| OBSOLETE | △ | - | 61.09 [2.405] | 27.94 [1.100] | 30.48 [1.200] | 24 | 4-87499-6 |
| OBSOLETE | △ | ALL | 61.09 [2.405] | 27.94 [1.100] | 30.48 [1.200] | 24 | 4-87499-5 |
| OBSOLETE | △ | - | 58.55 [2.305] | 27.94 [1.100] | 27.94 [1.100] | 23 | 4-87499-4 |
| OBSOLETE | △ | ALL | 58.55 [2.305] | 27.94 [1.100] | 27.94 [1.100] | 23 | 4-87499-3 |
| | | - | 56.01 [2.205] | 25.40 [1.000] | 27.94 [1.100] | 22 | 4-87499-2 |
| SUPERSEDED BY 4-87499-2 | | ALL | 56.01 [2.205] | 25.40 [1.000] | 27.94 [1.100] | 22 | 4-87499-1 |
| | | - | 53.47 [2.105] | 25.40 [1.000] | 25.40 [1.000] | 21 | 4-87499-0 |
| OBSOLETE | △ | ALL | 53.47 [2.105] | 25.40 [1.000] | 25.40 [1.000] | 21 | 3-87499-9 |
| | | - | 50.93 [2.005] | 22.86 [.900] | 25.40 [1.000] | 20 | 3-87499-8 |
| | | ALL | 50.93 [2.005] | 22.86 [.900] | 25.40 [1.000] | 20 | 3-87499-7 |
| OBSOLETE | △ | - | 48.39 [1.905] | 22.86 [.900] | 22.86 [.900] | 19 | 3-87499-6 |
| OBSOLETE | △ | ALL | 48.39 [1.905] | 22.86 [.900] | 22.86 [.900] | 19 | 3-87499-5 |
| | | - | 45.85 [1.805] | 20.32 [.800] | 22.86 [.900] | 18 | 3-87499-4 |
| SUPERSEDED BY 3-87499-4 | | ALL | 45.85 [1.805] | 20.32 [.800] | 22.86 [.900] | 18 | 3-87499-3 |
| | | - | 43.31 [1.705] | 20.32 [.800] | 20.32 [.800] | 17 | 3-87499-2 |
| OBSOLETE | △ | ALL | 43.31 [1.705] | 20.32 [.800] | 20.32 [.800] | 17 | 3-87499-1 |
| | | - | 40.77 [1.605] | 17.78 [.700] | 20.32 [.800] | 16 | 3-87499-0 |
| | | ALL | 40.77 [1.605] | 17.78 [.700] | 20.32 [.800] | 16 | 2-87499-9 |
| | | - | 38.23 [1.505] | 17.78 [.700] | 17.78 [.700] | 15 | 2-87499-8 |
| | | ALL | 38.23 [1.505] | 17.78 [.700] | 17.78 [.700] | 15 | 2-87499-7 |
| | | - | 35.69 [1.405] | 15.24 [.600] | 17.78 [.700] | 14 | 2-87499-6 |
| | | ALL | 35.69 [1.405] | 15.24 [.600] | 17.78 [.700] | 14 | 2-87499-5 |
| | | - | 33.15 [1.305] | 15.24 [.600] | 15.24 [.600] | 13 | 2-87499-4 |
| | | ALL | 33.15 [1.305] | 15.24 [.600] | 15.24 [.600] | 13 | 2-87499-3 |
| | | - | 30.61 [1.205] | 12.70 [.500] | 15.24 [.600] | 12 | 2-87499-2 |
| | | ALL | 30.61 [1.205] | 12.70 [.500] | 15.24 [.600] | 12 | 2-87499-1 |
| | | - | 28.07 [1.105] | 12.70 [.500] | 12.70 [.500] | 11 | 2-87499-0 |
| | | ALL | 28.07 [1.105] | 12.70 [.500] | 12.70 [.500] | 11 | 1-87499-9 |
| | | - | 25.53 [1.005] | 10.16 [.400] | 12.70 [.500] | 10 | 1-87499-8 |
| | | ALL | 25.53 [1.005] | 10.16 [.400] | 12.70 [.500] | 10 | 1-87499-7 |
| | | - | 22.99 [.905] | 10.16 [.400] | 10.16 [.400] | 9 | 1-87499-6 |
| | | ALL | 22.99 [.905] | 10.16 [.400] | 10.16 [.400] | 9 | 1-87499-5 |
| | | - | 20.45 [.805] | 7.62 [.300] | 10.16 [.400] | 8 | 1-87499-4 |
| | | ALL | 20.45 [.805] | 7.62 [.300] | 10.16 [.400] | 8 | 1-87499-3 |
| | | - | 15.37 [.605] | 5.08 [.200] | 7.62 [.300] | 6 | 1-87499-2 |
| | | ALL | 15.37 [.605] | 5.08 [.200] | 7.62 [.300] | 6 | 1-87499-1 |
| | | - | 12.83 [.505] | 5.08 [.200] | 5.08 [.200] | 5 | 1-87499-0 |
| | | ALL | 12.83 [.505] | 5.08 [.200] | 5.08 [.200] | 5 | 87499-9 |
| | | - | 10.29 [.405] | 2.54 [.100] | 5.08 [.200] | 4 | 87499-8 |
| | | ALL | 10.29 [.405] | 2.54 [.100] | 5.08 [.200] | 4 | 87499-7 |
| | | - | 7.75 [.305] | 2.54 [.100] | 2.54 [.100] | 3 | 87499-6 |
| | | ALL | 7.75 [.305] | 2.54 [.100] | 2.54 [.100] | 3 | 87499-5 |
| | | - | 5.21 [.205] | - | 2.54 [.100] | 2 | 87499-4 |
| | | ALL | 5.21 [.205] | - | 2.54 [.100] | 2 | 87499-3 |
| | | - | 17.91 [.705] | 7.62 [.300] | 7.62 [.300] | 7 | 87499-2 |
| | | ALL | 17.91 [.705] | 7.62 [.300] | 7.62 [.300] | 7 | 87499-1 |

NOTES MARKING C B A NO OF POSN PART NUMBER

MARKING C B A NO OF POSN PART NUMBER

THIS DRAWING IS A CONTROLLED DOCUMENT.

DWN E. BRANDBERG 21-JUN-95
 CHK S. SHUEY 21-JUN-95
 APVD D. DUPLER 21-JUN-95

TE Connectivity

HOUSING, MOD IV, SINGLE ROW, .100 CL, CRIMP SNAP-IN

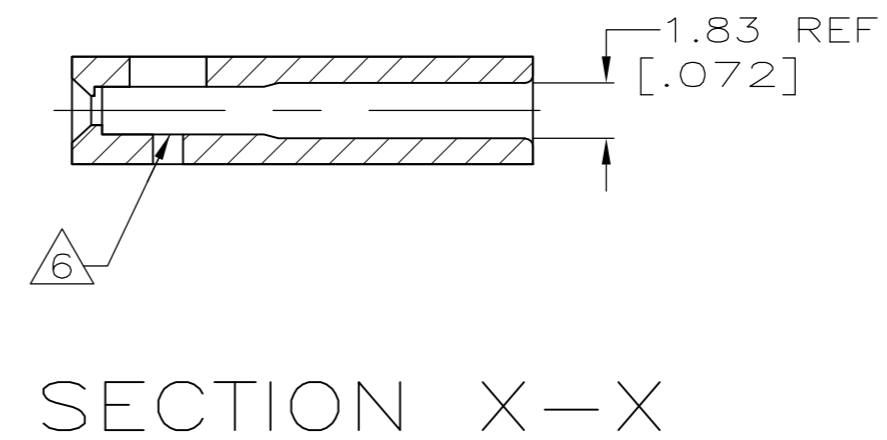
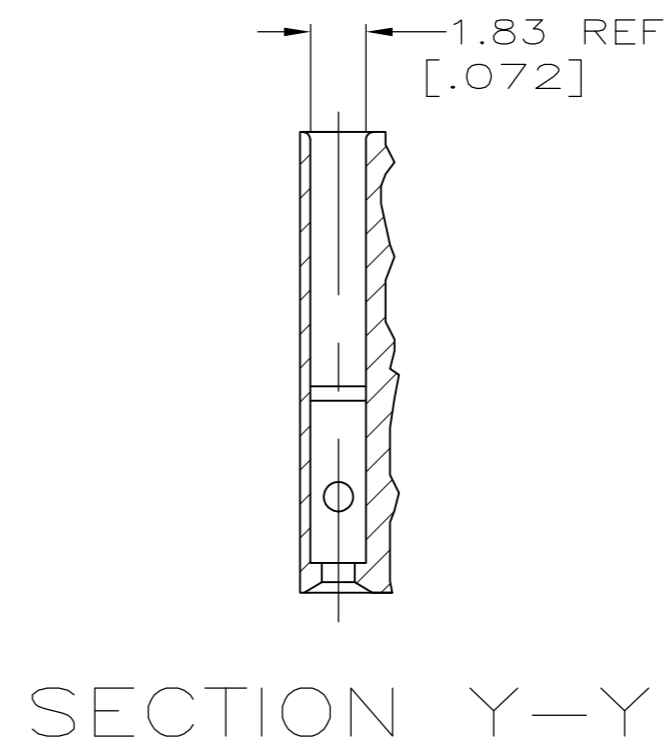
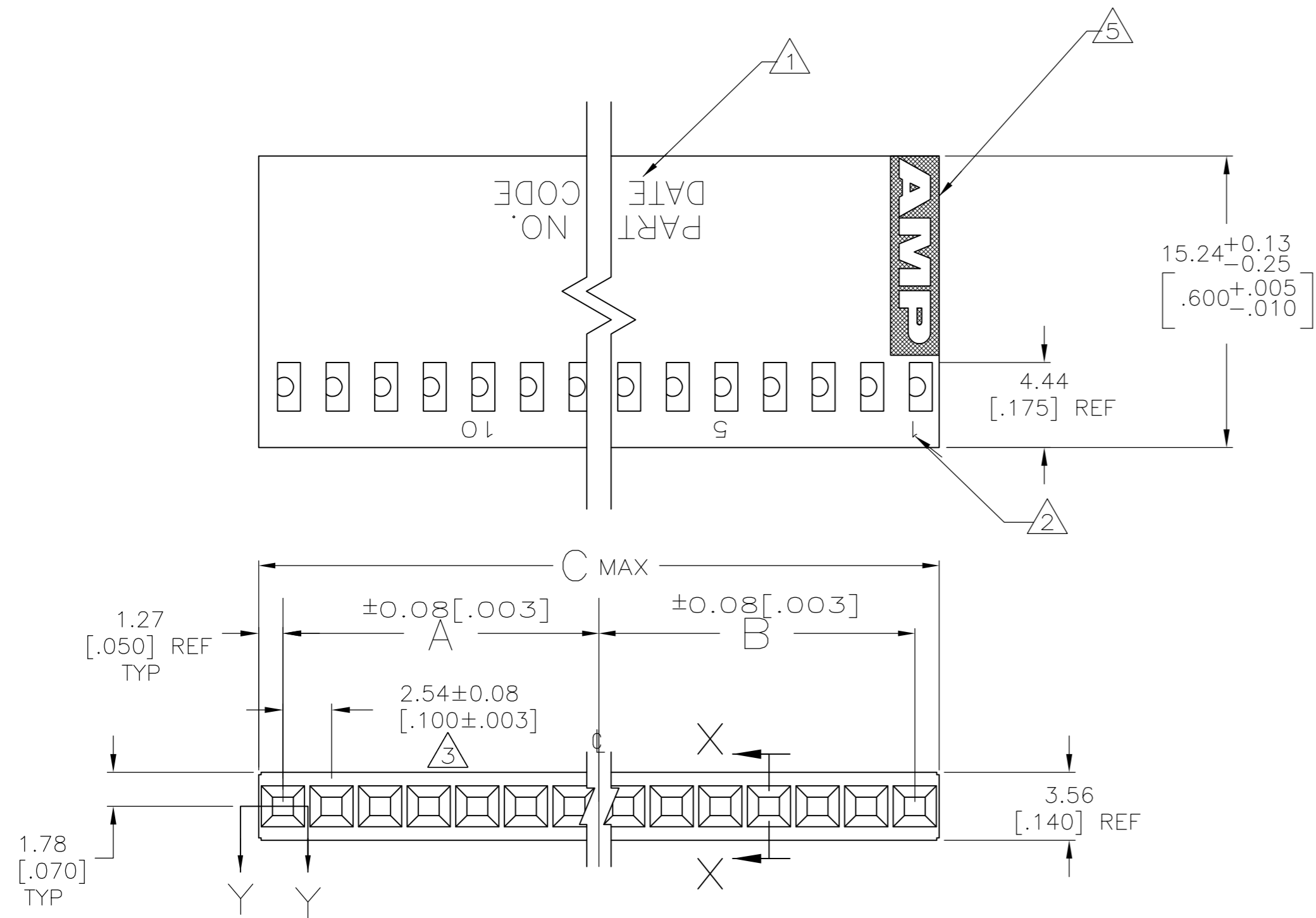
SIZE A2 CAGE CODE 00779 DRAWING NO C=87499 RESTRICTED TO -

MATERIAL FLAME RETARDANT FINISH - WEIGHT - SCALE 4:1 SHEET 1 OF 2 REV U3

CUSTOMER DRAWING

THIS DRAWING IS UNPUBLISHED. RELEASED FOR PUBLICATION
 © COPYRIGHT - By - ALL RIGHTS RESERVED.

| LOC | DIST | REVISIONS | | | |
|-----|------|-------------|------|-----|------|
| P | LTR | DESCRIPTION | DATE | DWN | APVD |
| AD | 39 | SEE SHEET 1 | - | - | - |



- ① PART NO & DATE CODE MARKED (WHITE), .062±.015 HIGH CHARS. IN APPROX. AREA SHOWN WHEN HOUSING SIZE PERMITS.
- ② CAVITY IDENT. MARKED (WHITE), .046±.015 HIGH CHARS., FIRST & EVERY FIFTH CAVITY, ONE SIDE AS SHOWN.
- ③ TOLERANCE NON-CUMULATIVE.
- 4. USE EXTRACTION TOOL 91052-1 TO REMOVE RECEPTACLE CONTACTS.
- ⑤ AMP LOGO MOLDED IN TEXTURED AREA AS SHOWN.
- ⑥ FLASH ALLOWED TO BE .015 IN THIS AREA.
- ⑦ OBSOLETE PARTS: OBSOLETE CIS STREAMLINING PER D.RENAUD/D.SINISI

| | | | | | | | | | | | | | | | | | | | | | | |
|--|---|----------------------------------|---|-----------------------|-------|---|---|-------|---|-------------|-------|---|---|-------|---|---|--------|---|---|-------------------|------------|--------------------|
| THIS DRAWING IS A CONTROLLED DOCUMENT. | | DWN E. BRANDBERG 21-JUN-95 | | | | | | | | | | | | | | | | | | | | |
| DIMENSIONS: mm | | CHK S. SHUEY 21-JUN-95 | | | | | | | | | | | | | | | | | | | | |
| TOLERANCES UNLESS OTHERWISE SPECIFIED: | | APVD D. DUPLER 21-JUN-95 | NAME HOUSING, MOD IV, SINGLE ROW, .100 CL, CRIMP SNAP-IN | | | | | | | | | | | | | | | | | | | |
| <table border="1"> <tr><td>0 PLC</td><td>±</td><td>-</td></tr> <tr><td>1 PLC</td><td>±</td><td>-</td></tr> <tr><td>2 PLC</td><td>±</td><td>0.13 [.005]</td></tr> <tr><td>3 PLC</td><td>±</td><td>-</td></tr> <tr><td>4 PLC</td><td>±</td><td>-</td></tr> <tr><td>ANGLES</td><td>±</td><td>-</td></tr> </table> | | 0 PLC | ± | - | 1 PLC | ± | - | 2 PLC | ± | 0.13 [.005] | 3 PLC | ± | - | 4 PLC | ± | - | ANGLES | ± | - | PRODUCT SPEC - | SIZE A2 | CAGE CODE 00779 |
| 0 PLC | ± | - | | | | | | | | | | | | | | | | | | | | |
| 1 PLC | ± | - | | | | | | | | | | | | | | | | | | | | |
| 2 PLC | ± | 0.13 [.005] | | | | | | | | | | | | | | | | | | | | |
| 3 PLC | ± | - | | | | | | | | | | | | | | | | | | | | |
| 4 PLC | ± | - | | | | | | | | | | | | | | | | | | | | |
| ANGLES | ± | - | | | | | | | | | | | | | | | | | | | | |
| MATERIAL FLAME RETARDANT | | FINISH - | WEIGHT - | DRAWING NO C=87499 | | | | | | | | | | | | | | | | | | |
| CUSTOMER DRAWING | | | SCALE 4:1 | SHEET 2 OF 2 | | | | | | | | | | | | | | | | | | |
| | | | RESTRICTED TO - | REV U3 | | | | | | | | | | | | | | | | | | |

Mouser Electronics

Authorized Distributor

Click to View Pricing, Inventory, Delivery & Lifecycle Information:

[TE Connectivity:](#)

[87499-5](#)