

IEC Appliance Inlet C14/C18, Screw-on Mounting, Front Side, Solder or Quick-connect, Screw Terminal



See below:

Approvals and Compliances

Description

- Panel mount :
 Screw-on mounting , Front Side
- 1 Function
- Appliance Inlet , Pin temperature 70 °C , protection class I or II
- Solder, Quick Connect or Screw Terminals

Other versions on request

- Variant with notch for V-Lock mating Cordsets
- PCB terminals

Weblinks

[pdf data sheet](#), [html datasheet](#), [General Product Information](#), [Distributor-Stock-Check](#), [Accessories](#), [Detailed request for product](#), [Landing Page](#)

Newly available variants corresponding to V-Lock mating cordset. The connector is equipped with a notch intended for use with the latching cordset. The cord latching system prevents against accidental removal of the cordset.

Technical Data

| | | | |
|-----------------------------------|---|-------------------------|--|
| Ratings IEC | 10A / 250VAC; 50Hz | appliance inlet/-outlet | C14 / C18 acc. to IEC 60320-1 |
| Ratings UL/CSA | 15A / 250VAC; 60Hz | | UL 60320-1, CSA C22.2 no. 60320-1 |
| Dielectric Strength | > 3kVAC between L-N > 1.5kVAC between L/N-PE (1 min/50Hz) | | (for cold conditions) pin-temperature 70 °C, 10A, Protection Class I or II |
| Allowable Operation Temperature | -25 °C to 70 °C | | |
| IP-Protection | from front side IP20 acc. to IEC 60529 | | |
| Protection against electric shock | Suitable for appliances with protection class I or II acc. to IEC 61140 | | |
| Material: Housing | PA6, black / grey / white, UL 94V-0 | | |

Approvals and Compliances

Detailed information on product approvals, code requirements, usage instructions and detailed test conditions can be looked up in [Details about Approvals](#)

SCHURTER products are designed for use in industrial environments. They have approvals from independent testing bodies according to national and international standards. Products with specific characteristics and requirements such as required in the automotive sector according to IATF 16949, medical technology according to ISO 13485 or in the aerospace industry can be offered exclusively with customer-specific, individual agreements by SCHURTER.

Approvals

The approval mark is used by the testing authorities to certify compliance with the safety requirements placed on electronic products.

Approval Reference Type: 6061

| Approval Logo | Certificates | Certification Body | Description |
|---------------|-------------------------------|--------------------|------------------------------|
| | VDE Approvals | VDE | Certificate Number: 40011871 |
| | UL Approvals | UL | UL File Number: E96454 |


Product standards

Product standards that are referenced

| Organization | Design | Standard | Description |
|--|-----------------------|-----------------------|---|
|  | Designed according to | IEC 60320-1 | Appliance couplers for household and similar general purposes |
|  | Designed according to | UL 60320-1 | Standard for Attachment Plugs and Receptacles |
|  | Designed according to | CSA C22.2 no. 60320-1 | General Use Receptacles, Attachment Plugs, and Similar Wiring Devices |






Application standards

Application standards where the product can be used

| Organization | Design | Standard | Description |
|--|--------------------------------|--------------|---|
|  | Designed for applications acc. | IEC/UL 60950 | IEC 60950-1 includes the basic requirements for the safety of information technology equipment. |

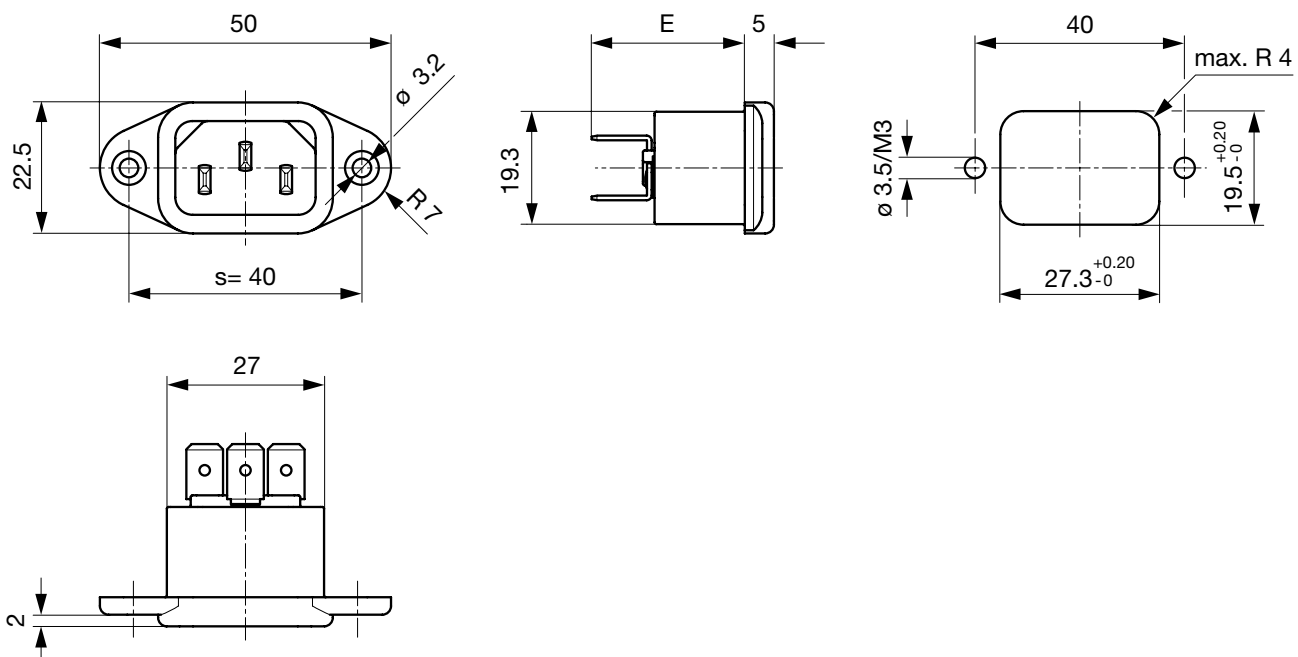
Compliances

The product complies with following Guide Lines

| Identification | Details | Initiator | Description |
|--|--|-------------|--|
|  | CE declaration of conformity | SCHURTER AG | The CE marking declares that the product complies with the applicable requirements laid down in the harmonisation of Community legislation on its affixing in accordance with EU Regulation 765/2008. |
|  | RoHS | SCHURTER AG | Directive RoHS 2011/65/EU, Amendment (EU) 2015/863 |
|  | China RoHS | SCHURTER AG | The law SJ / T 11363-2006 (China RoHS) has been in force since 1 March 2007. It is similar to the EU directive RoHS. |
|  | REACH | SCHURTER AG | On 1 June 2007, Regulation (EC) No 1907/2006 on the Registration, Evaluation, Authorization and Restriction of Chemicals 1 (abbreviated as "REACH") entered into force. |
|  | Landing Page V-Lock | SCHURTER AG | V-Lock system are based on a matching plug-dose combination. The connector is equipped with a notch intended for use with the latching cordset. The cord latching system prevents against accidental removal of the cordset. |

Dimensions [mm]

Countersunk mounting holes, 40 mm distance, quick connect and solder terminals



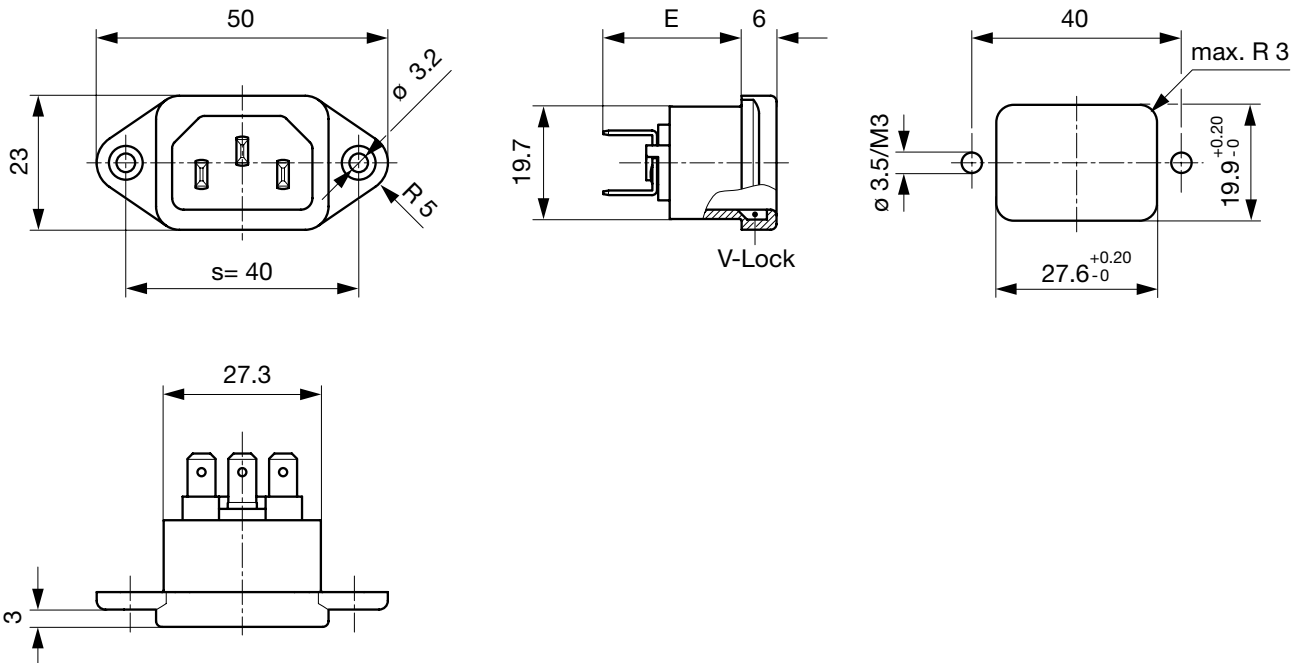
E: Quick-connect terminals 4.8x0.8 mm: 25.3 mm

E: Quick-connect terminals 6.3x0.8 mm: 26.3 mm

E: Solder terminals short: 21.1 mm

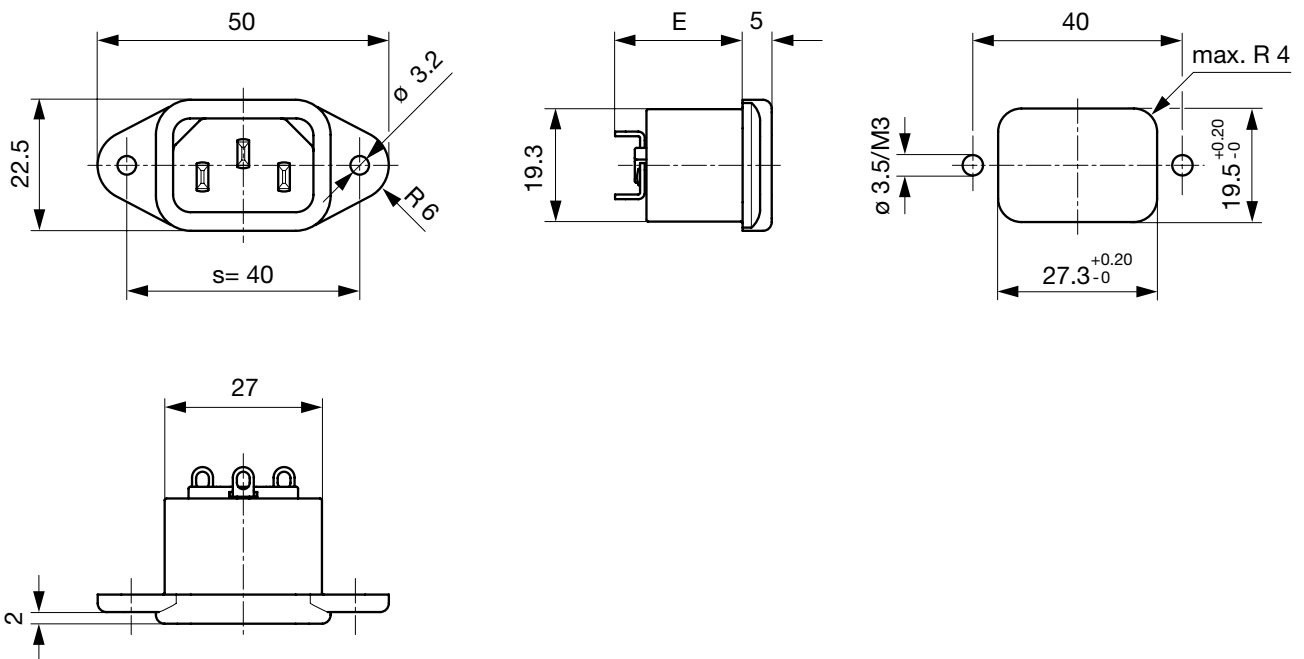
E: Solder terminals long: 24.5 mm

V-Lock version, countersunk mounting holes, 40 mm distance, quick connect and solder terminals



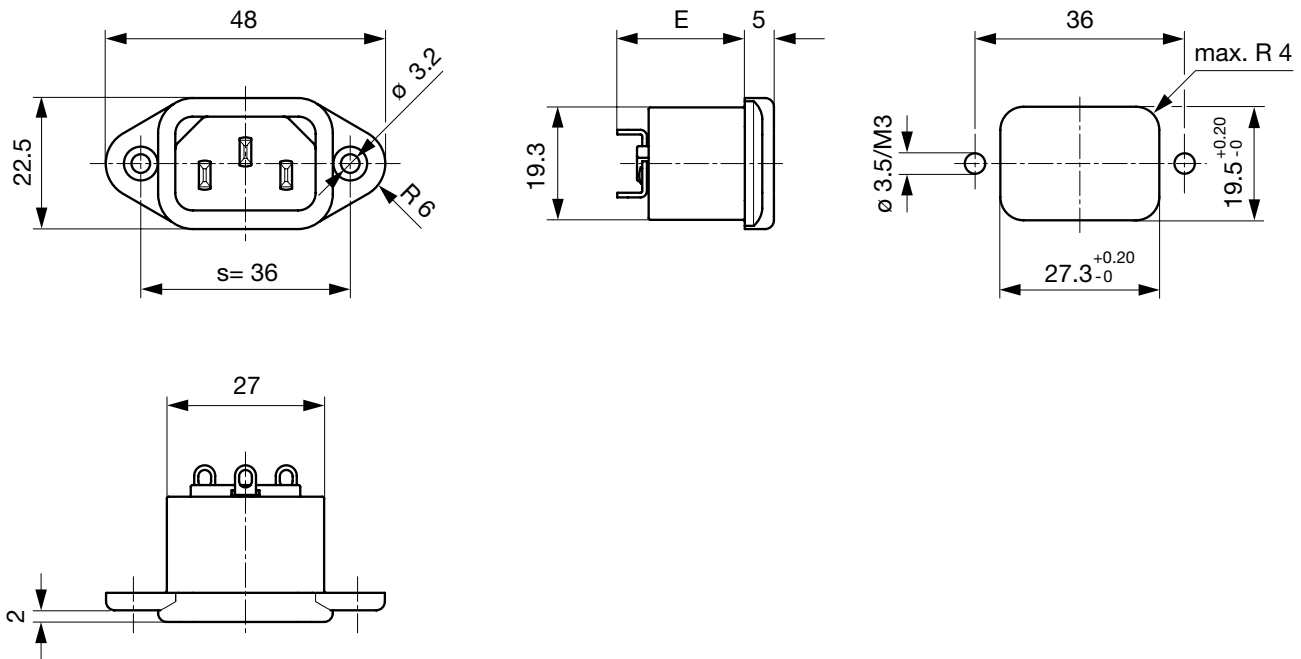
- E: Quick-connect terminals 4.8x0.8 mm: 23.8 mm
- E: Quick-connect terminals 6.3x0.8 mm: 24.8 mm
- E: Solder terminals short: 19.6 mm
- E: Solder terminals long: 23.0 mm

Through hole mounting holes, 40 mm distance, quick connect and solder terminals



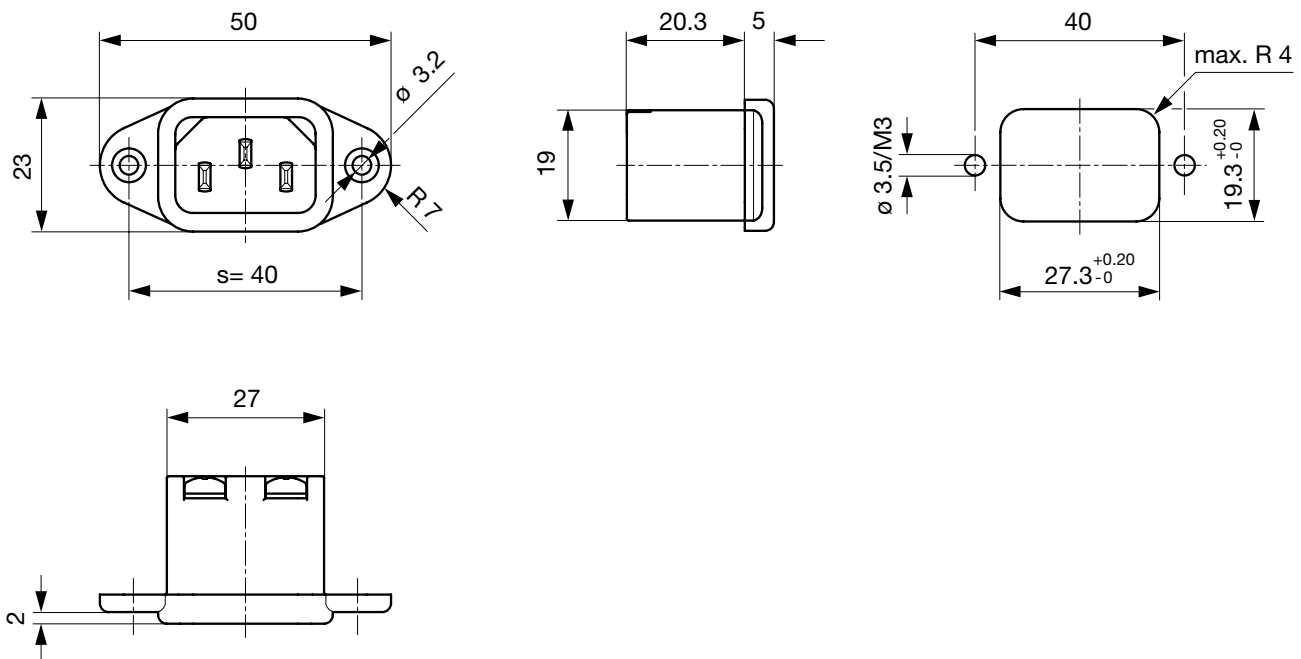
- E: Quick-connect terminals 4.8x0.8 mm: 26.1 mm
- E: Quick-connect terminals 6.3x0.8 mm: 27.1 mm
- E: Solder terminals short: 21.9 mm
- E: Solder terminals long: 25.3 mm

Countersunk mounting holes, 36 mm distance, quick connect and solder terminals

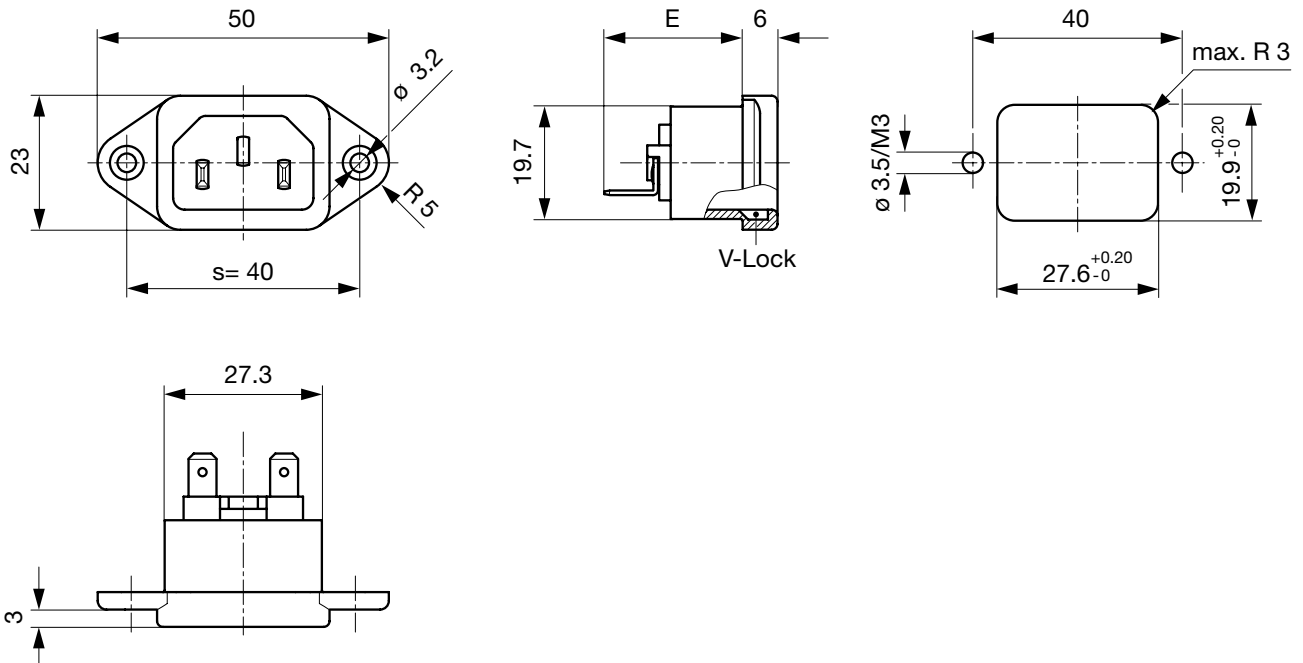


- E: Quick-connect terminals 4.8x0.8 mm: 26.1 mm
- E: Quick-connect terminals 6.3x0.8 mm: 27.1 mm
- E: Solder terminals short: 21.9 mm
- E: Solder terminals long: 25.3 mm

Countersunk mounting holes, 40 mm distance, screw terminals



Protection class II, countersunk mounting holes, 40 mm distance, quick connect and solder terminals



- E: Quick-connect terminals 4.8x0.8 mm: 23.8 mm
- E: Quick-connect terminals 6.3x0.8 mm: 24.8 mm
- E: Solder terminals short: 19.3 mm
- E: Solder terminals long: 23.0 mm

Config. Code

6061 - H - A B C 0 - D - E G O

The characters are placeholders for the correspondingly keys of selections from the key tables.

6061 - H - A B C 0 - D - E G O = Type

| Type | Configuration key |
|---------------------|-------------------|
| protection class II | B |
| protection class I | X |

Protection class II only with V-Lock

6061 - H - A B C 0 - D - E G O = Terminals

| Terminal L | Configuration key |
|------------------------------------|-------------------|
| short solder terminal (L = 4.8 mm) | 2 |
| long solder terminal (L = 8.5 mm) | 3 |
| Blade terminal (4.8 x 0.8 mm) | 8 |
| Blade terminal (6.3 x 0.8 mm) | 9 |
| screw terminal | A |

6061 - H - A B C 0 - D - E G O = Terminals

Terminal N

| Terminal N | Configuration key |
|------------------------------------|-------------------|
| short solder terminal (L = 4.8 mm) | 2 |
| long solder terminal (L = 8.5 mm) | 3 |
| Blade terminal (4.8 x 0.8 mm) | 8 |
| Blade terminal (6.3 x 0.8 mm) | 9 |
| screw terminal | A |

Symbols similar as in table A

6061 - H - A B C 0 - D - E G O = Terminals

Terminal Ground

| Terminal Ground | Configuration key |
|------------------------------------|-------------------|
| without terminal | 0 |
| short solder terminal (L = 4.8 mm) | 2 |
| long solder terminal (L = 8.5 mm) | 3 |
| Blade terminal (4.8 x 0.8 mm) | 8 |
| Blade terminal (6.3 x 0.8 mm) | 9 |
| screw terminal | A |

Symbols similar as in table A

6061 - H - A B C 0 - D - E G O = Color

| Color | Configuration key |
|-------|-------------------|
| Black | A |
| Grey | B |
| White | D |

6061 - H - A B C O - D - E G O = Style

| Style | Configuration key |
|-------------------------------|-------------------|
| flange with countersunk holes | 1 |
| flange with through holes | 2 |

6061 - H - A B C O - D - E G O = Dimension S

| Dimension "S" | Configuration key |
|---------------|-------------------|
| 36 | |
| 40 | |

The dimension "S" is displayed in (1/10 mm). This information is also valid for the order code

6061 - H - A B C O - D - E G O = Features

| Features | Configuration key |
|----------------|-------------------|
| without V-Lock | 0 |
| V-Lock | V |

V-Lock only with Dimension "X" = 40

All Variants

| Config. Code | Designation | Order Number |
|--------------------|--|--------------|
| 6061-X-2220-A-136 | 6061, IEC Appliance Inlet C14, 70°C, version: protection class I, L: short solder terminal (L = 4.8 mm), N: short solder terminal (L = 4.8 mm), ground: short solder terminal (L = 4.8 mm), color: Black, design: flange with countersunk holes, dimension S: 36, features: | 6162.0045 |
| 6061-X-2220-A-140 | 6061, IEC Appliance Inlet C14, 70°C, version: protection class I, L: short solder terminal (L = 4.8 mm), N: short solder terminal (L = 4.8 mm), ground: short solder terminal (L = 4.8 mm), color: Black, design: flange with countersunk holes, dimension S: 40, features: | 6162.0046 |
| 6061-X-2220-A-240 | 6061, IEC Appliance Inlet C14, 70°C, version: protection class I, L: short solder terminal (L = 4.8 mm), N: short solder terminal (L = 4.8 mm), ground: short solder terminal (L = 4.8 mm), color: Black, design: flange with through holes, dimension S: 40, features: | 6162.0047 |
| 6061-X-2220-B-140 | 6061, IEC Appliance Inlet C14, 70°C, version: protection class I, L: short solder terminal (L = 4.8 mm), N: short solder terminal (L = 4.8 mm), ground: short solder terminal (L = 4.8 mm), color: Grey, design: flange with countersunk holes, dimension S: 40, features: | 6162.0048 |
| 6061-X-3330-A-136 | 6061, IEC Appliance Inlet C14, 70°C, version: protection class I, L: long solder terminal (L = 8.5 mm), N: long solder terminal (L = 8.5 mm), ground: long solder terminal (L = 8.5 mm), color: Black, design: flange with countersunk holes, dimension S: 36, features: | 6162.0049 |
| 6061-X-3330-A-140 | 6061, IEC Appliance Inlet C14, 70°C, version: protection class I, L: long solder terminal (L = 8.5 mm), N: long solder terminal (L = 8.5 mm), ground: long solder terminal (L = 8.5 mm), color: Black, design: flange with countersunk holes, dimension S: 40, features: | 6162.0050 |
| 6061-X-3330-B-140 | 6061, IEC Appliance Inlet C14, 70°C, version: protection class I, L: long solder terminal (L = 8.5 mm), N: long solder terminal (L = 8.5 mm), ground: long solder terminal (L = 8.5 mm), color: Grey, design: flange with countersunk holes, dimension S: 40, features: | 6162.0052 |
| 6061-X-8880-A-136 | 6061, IEC Appliance Inlet C14, 70°C, version: protection class I, L: Blade terminal (4.8 x 0.8 mm), N: Blade terminal (4.8 x 0.8 mm), ground: Blade terminal (4.8 x 0.8 mm), color: Black, design: flange with countersunk holes, dimension S: 36, features: | 6162.0054 |
| 6061-X-8880-A-140 | 6061, IEC Appliance Inlet C14, 70°C, version: protection class I, L: Blade terminal (4.8 x 0.8 mm), N: Blade terminal (4.8 x 0.8 mm), ground: Blade terminal (4.8 x 0.8 mm), color: Black, design: flange with countersunk holes, dimension S: 40, features: | 6162.0055 |
| 6061-X-9990-A-136 | 6061, IEC Appliance Inlet C14, 70°C, version: protection class I, L: Blade terminal (6.3 x 0.8 mm), N: Blade terminal (6.3 x 0.8 mm), ground: Blade terminal (6.3 x 0.8 mm), color: Black, design: flange with countersunk holes, dimension S: 36, features: | 6162.0057 |
| 6061-X-9990-A-140 | 6061, IEC Appliance Inlet C14, 70°C, version: protection class I, L: Blade terminal (6.3 x 0.8 mm), N: Blade terminal (6.3 x 0.8 mm), ground: Blade terminal (6.3 x 0.8 mm), color: Black, design: flange with countersunk holes, dimension S: 40, features: | 6162.0058 |
| 6061-X-9990-B-140 | 6061, IEC Appliance Inlet C14, 70°C, version: protection class I, L: Blade terminal (6.3 x 0.8 mm), N: Blade terminal (6.3 x 0.8 mm), ground: Blade terminal (6.3 x 0.8 mm), color: Grey, design: flange with countersunk holes, dimension S: 40, features: | 6162.0059 |
| 6061-X-AAA0-A-140 | 6061, IEC Appliance Inlet C14, 70°C, version: protection class I, L: screw terminal, N: screw terminal, ground: screw terminal, color: Black, design: flange with countersunk holes, dimension S: 40, features: | 6162.0061 |
| 6061-X-2220-A-140V | 6061, IEC Appliance Inlet C14, 70°C, version: protection class I, L: short solder terminal (L = 4.8 mm), N: short solder terminal (L = 4.8 mm), ground: short solder terminal (L = 4.8 mm), color: Black, design: flange with countersunk holes, dimension S: 40, features: V-Lock | 6162.0157 |
| 6061-X-8880-A-140V | 6061, IEC Appliance Inlet C14, 70°C, version: protection class I, L: Blade terminal (4.8 x 0.8 mm), N: Blade terminal (4.8 x 0.8 mm), ground: Blade terminal (4.8 x 0.8 mm), color: Black, design: flange with countersunk holes, dimension S: 40, features: V-Lock | 6162.0158 |
| 6061-X-9990-A-140V | 6061, IEC Appliance Inlet C14, 70°C, version: protection class I, L: Blade terminal (6.3 x 0.8 mm), N: Blade terminal (6.3 x 0.8 mm), ground: Blade terminal (6.3 x 0.8 mm), color: Black, design: flange with countersunk holes, dimension S: 40, features: V-Lock | 6162.0159 |
| 6061-B-9900-A-140V | 6061, IEC Appliance Inlet C18, 70°C, version: protection class II, L: Blade terminal (6.3 x 0.8 mm), N: Blade terminal (6.3 x 0.8 mm), ground: without terminal, color: Black, design: flange with countersunk holes, dimension S: 40, features: V-Lock | 6162.0175 |

The listed variants should be available from stock Other versions on request www.schurter.com/contact

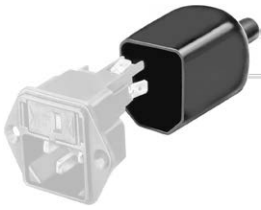
Most Popular.

Availability for all products can be searched real-time: <https://www.schurter.com/en/Stock-Check/Stock-Check-SCHURTER>

Packaging unit 50 Pcs

Accessories

Description



Assorted Covers
 Rear Cover

Mating Outlets/Connectors

Category / Description

[Appliance Outlet Overview complete](#)



| | |
|---|------|
| 4787, Mounting: Screw-on mounting, Appliance Outlet: IEC Solder terminals, 10 A, Suitable for appliances with protection class I | 4787 |
| 4788, Mounting: Snap-in version, Appliance Outlet: IEC Solder terminals or quick connect terminals, 10 A, Suitable for appliances with protection class I | 4788 |
| IEC Appliance Outlet F or H, Screw-on Mounting, Front Side, Solder, PCB or Quick-connect Terminal | 5091 |

[Appliance Outlet further types to 6061](#)

[Connector Overview complete](#)



| | |
|--|---------|
| 4022 Mounting: Power Supply Cord, 3 x 1.5 mm ² , Screw clamps, Connector: IEC C13 | 4022 |
| 4782 Mounting: Power Cord, 3 x 1 mm ² / 3 x 18 AWG, Cable, Connector: IEC C13 | 4782 |
| 4012 Mounting: Power Supply Cord, 3 x 1 mm ² , Screw clamps, Connector: IEC C13 | 4012 |
| 4785 Mounting: Power Cord, 3 x 1 mm ² / 3 x 18 AWG, Cable, Connector: IEC C13 | 4785 |
| 4300-06 Mounting: Power Cord, 3 x 1 mm ² / 3 x 18 AWG, Cable, Connector: IEC C13 | 4300-06 |

[Connector further types to 6061](#)

Mating Outlets/Connectors shuttered

[Power Cord Overview complete](#)



| | |
|---|---------|
| VAC13KS, Overview, V-Lock cord retaining, diverse Connector IEC C13, diverse, black | VAC13KS |
| VAC17KS, V-Lock cord retaining, diverse m, Connector IEC C17, diverse, black / grey / white | VAC17KS |

[Power Cord further types to 6061](#)

Mouser Electronics

Authorized Distributor

Click to View Pricing, Inventory, Delivery & Lifecycle Information:

Schurter:

[6162.0045](#) [6162.0046](#) [6162.0047](#) [6162.0048](#) [6162.0049](#) [6162.0051](#) [6162.0052](#) [6162.0053](#) [6162.0054](#) [6162.0055](#)
[6162.0056](#) [6162.0057](#) [6162.0058](#) [6162.0059](#) [6162.0061](#) [6162.0062](#) [6162.0083](#) [6162.0158](#) [6162.0159](#) [6162.005](#)
[6162.006](#) [6162.0060](#) [6162.0050](#) [6162.0157](#) [6162.0175](#) [6162.0172](#) [6162.0170](#) [3-103-455](#) [3-100-757](#)