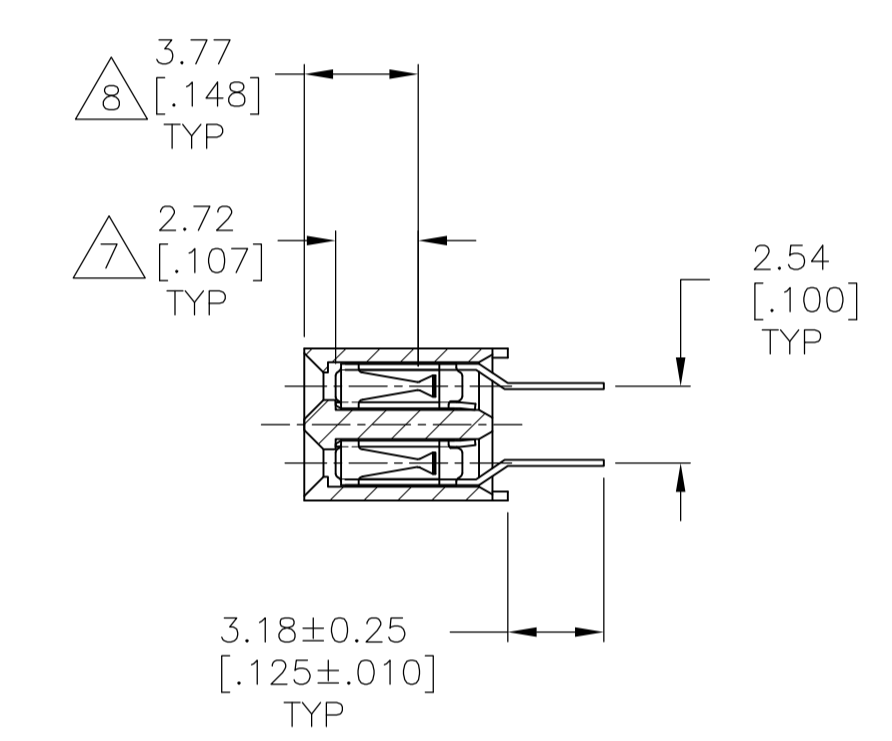
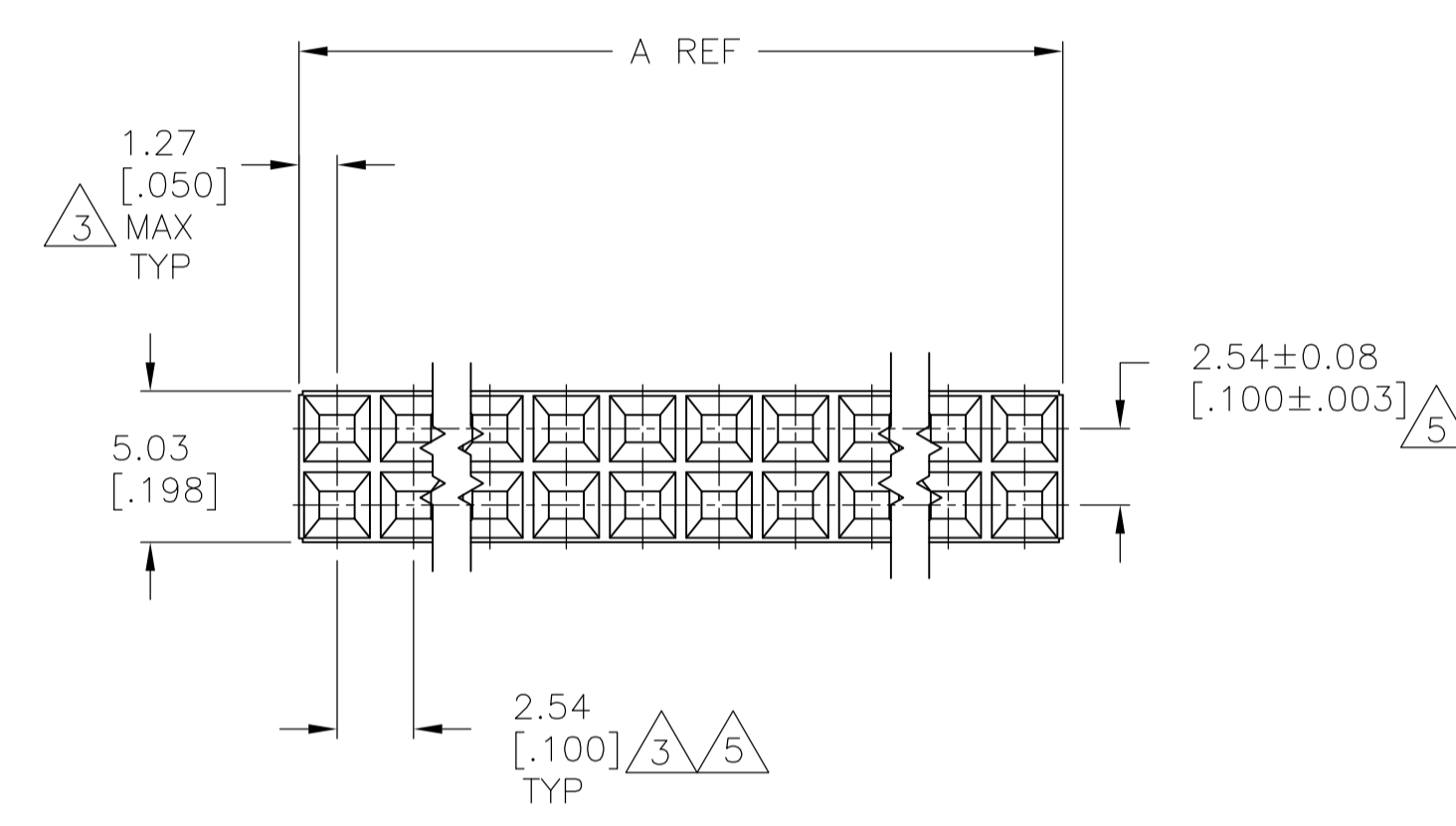
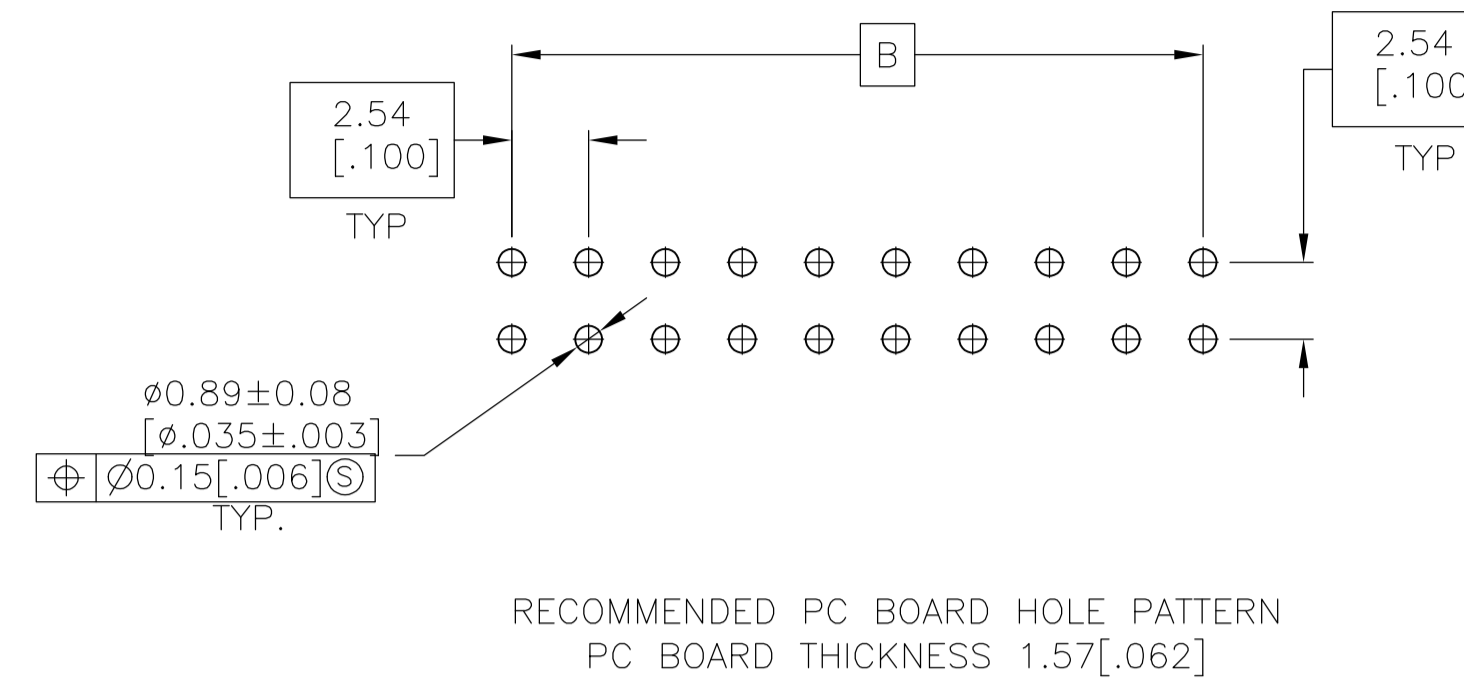
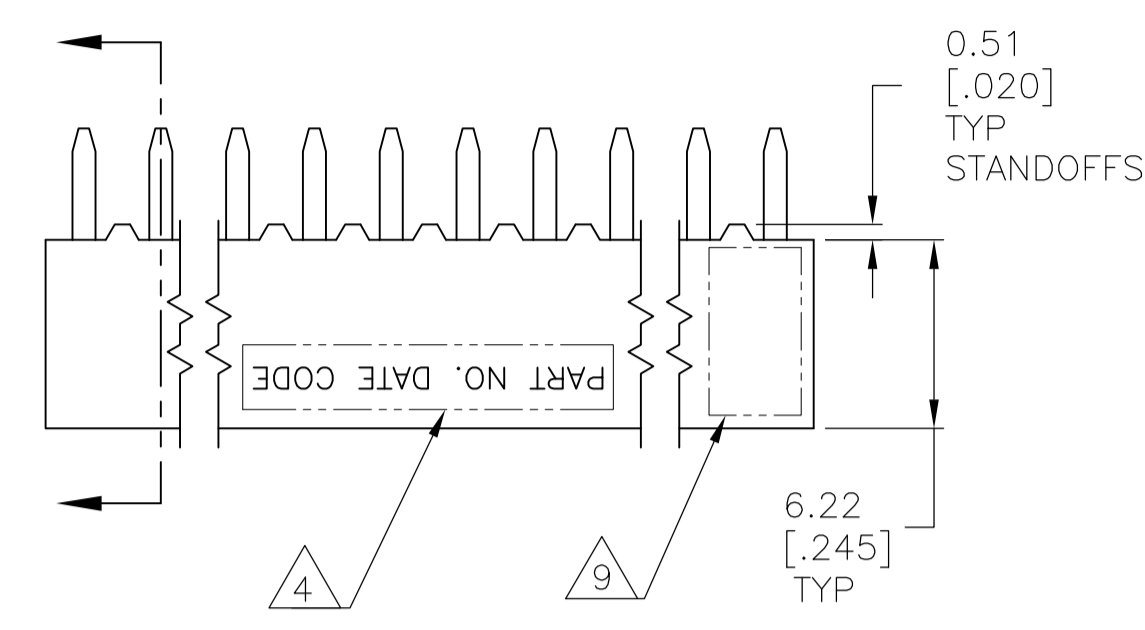


SEE SHEET 2
FOR P/N'S -51 THRU -90



| | | | | |
|---|---------------|---------------|----|------------|
| 2 | 88.90 [3.500] | 91.44 [3.600] | 72 | 3-534998-6 |
| 2 | 86.36 [3.400] | 88.90 [3.500] | 70 | 3-534998-5 |
| 2 | 83.82 [3.300] | 86.36 [3.400] | 68 | 3-534998-4 |
| 2 | 81.28 [3.200] | 83.82 [3.300] | 66 | 3-534998-3 |
| 2 | 78.74 [3.100] | 81.28 [3.200] | 64 | 3-534998-2 |
| 2 | 76.20 [3.000] | 78.74 [3.100] | 62 | 3-534998-1 |
| 2 | 73.66 [2.900] | 76.20 [3.000] | 60 | 3-534998-0 |
| 2 | 71.12 [2.800] | 73.66 [2.900] | 58 | 2-534998-9 |
| 2 | 68.58 [2.700] | 71.12 [2.800] | 56 | 2-534998-8 |
| 2 | 66.04 [2.600] | 68.58 [2.700] | 54 | 2-534998-7 |
| 2 | 63.50 [2.500] | 66.04 [2.600] | 52 | 2-534998-6 |
| 2 | 60.96 [2.400] | 63.50 [2.500] | 50 | 2-534998-5 |
| 2 | 58.42 [2.300] | 60.96 [2.400] | 48 | 2-534998-4 |
| 2 | 55.88 [2.200] | 58.42 [2.300] | 46 | 2-534998-3 |
| 2 | 53.34 [2.100] | 55.88 [2.200] | 44 | 2-534998-2 |
| 2 | 50.80 [2.000] | 53.34 [2.100] | 42 | 2-534998-1 |
| 2 | 48.26 [1.900] | 50.80 [2.000] | 40 | 2-534998-0 |
| 2 | 45.72 [1.800] | 48.26 [1.900] | 38 | 1-534998-9 |
| 2 | 43.18 [1.700] | 45.72 [1.800] | 36 | 1-534998-8 |
| 2 | 40.64 [1.600] | 43.18 [1.700] | 34 | 1-534998-7 |
| 2 | 38.10 [1.500] | 40.64 [1.600] | 32 | 1-534998-6 |
| 2 | 35.56 [1.400] | 38.10 [1.500] | 30 | 1-534998-5 |
| 2 | 33.02 [1.300] | 35.56 [1.400] | 28 | 1-534998-4 |
| 2 | 30.48 [1.200] | 33.02 [1.300] | 26 | 1-534998-3 |
| 2 | 27.94 [1.100] | 30.48 [1.200] | 24 | 1-534998-2 |
| 2 | 25.40 [1.000] | 27.94 [1.100] | 22 | 1-534998-1 |
| 2 | 22.86 [0.900] | 25.40 [1.000] | 20 | 1-534998-0 |
| 2 | 20.32 [0.800] | 22.86 [0.900] | 18 | 534998-9 |
| 2 | 17.78 [0.700] | 20.32 [0.800] | 16 | 534998-8 |
| 2 | 15.24 [0.600] | 17.78 [0.700] | 14 | 534998-7 |
| 2 | 12.70 [0.500] | 15.24 [0.600] | 12 | 534998-6 |
| 2 | 10.16 [0.400] | 12.70 [0.500] | 10 | 534998-5 |
| 2 | 7.62 [0.300] | 10.16 [0.400] | 8 | 534998-4 |
| 2 | 5.08 [0.200] | 7.62 [0.300] | 6 | 534998-3 |
| 2 | 2.54 [0.100] | 5.08 [0.200] | 4 | 534998-2 |
| 2 | - | 2.54 [0.100] | 2 | 534998-1 |

| | | | | | |
|---|--------------------------|---------------|----------------|------------|-------------|
| 2 | SUPERCEDED BY 9-534998-0 | 99.06 [3.900] | 101.60 [4.000] | 80 | 4-534998-0 |
| 2 | | 96.52 [3.800] | 99.06 [3.900] | 78 | 3-534998-9 |
| 2 | | 93.98 [3.700] | 96.52 [3.800] | 76 | 3-534998-8 |
| 2 | | 91.44 [3.600] | 93.98 [3.700] | 74 | 3-534998-7 |
| | | B | A | NO OF POSN | PART NUMBER |

- 1 HOUSING: FLAME RETARDANT, GLASS FILLED, THERMOPLASTIC, COLOR: BLACK. CONTACT: PHOSPHOR BRONZE
- 2 CONTACT: DUPLEX PLATED 0.76µm[.000030] GOLD IN CONTACT AREA, 3.81-7.62µm[.000150-.000300] BRIGHT TIN-LEAD ON LEADS, ALL OVER 1.27µm[.000050] NICKEL
- 3 THESE DIMENSIONS PERTAIN TO CAVITY CENTERLINES ONLY - NOT TO CONTACT LOCATIONS
- 4 PART NUMBER AND DATE CODE ARE MARKED IN APPROXIMATE LOCATION SHOWN, EITHER SIDE.
- 5 TOLERANCE IS NON-CUMULATIVE.
- 6 2 POSITION DATE CODE IS MARKED OPPOSITE SIDE OF TE CONNECTIVITY LOGO.
- 7 POINT-OF-MEASUREMENT DIMENSION FOR PLATING THICKNESS (INSIDE CONTACT BEAM).
- 8 POINT-OF-CONTACT DIMENSION.
- 9 TE CONNECTIVITY TRADEMARK AND CSA LOGO ARE MOLDED INTO HOUSING, THIS LOCATION.
- 10 NO PART NUMBER MARKING REQUIRED FOR THIS PART.
- 11 CONTACT: DUPLEX PLATED 0.76µm[.000030] GOLD IN CONTACT AREA, 3.81-7.62µm[.000150-.000300] MATTE TIN ON LEADS, ALL OVER 1.27µm[.000050] NICKEL
- 12 ROHS 2002/95/EC COMPLIANT

THIS DRAWING IS A CONTROLLED DOCUMENT.

| | | | |
|-------------------------|--|------------------------|---|
| DIMENSIONS: mm [INCHES] | TOLERANCES UNLESS OTHERWISE SPECIFIED: | DIN M. BINNER 06NOV02 | TE Connectivity |
| 0 PLC ± - | 1 PLC ± ± 0.13[.005] | CHK J. JOLSON 06NOV02 | RECEPTACLE ASSEMBLY, MOD IV, DOUBLE ROW, DUAL ENTRY, .100X.100CL, VERTICAL MOUNT, AMPMODU |
| 1 PLC ± ± | 2 PLC ± ± | APVD J. JOLSON 06NOV02 | PRODUCT SPEC 108-25022 |
| 2 PLC ± ± | 3 PLC ± ± | | APPLICATION SPEC 114-25018 |
| 3 PLC ± ± | 4 PLC ± ± | | SIZE A1 |
| 4 PLC ± ± | ANGLES ± ± | | CAGE CODE DRAWING NO 00779 |
| MATERIAL 1 | FINISH 2 | WEIGHT - | 00779 534998 |
| | | | CUSTOMER DRAWING |

SCALE 4:1 SHEET 1 OF 2 REV P7

| LOC | | DIST | | REVISIONS | | | | |
|-----|----|------|------|-------------|------|----|------|--|
| AD | 00 | REV | DATE | DESCRIPTION | DATE | BY | APPV | |
| - | - | 1 | - | SEE SHEET 1 | - | - | - | |

| SYMBOL | B | A | NO OF POSN | PART NUMBER |
|--------|------------------|------------------|------------|-------------|
| | 88.90 [3.500] | 91.44 [3.600] | 72 | 8-534998-6 |
| | 86.36 [3.400] | 88.90 [3.500] | 70 | 8-534998-5 |
| | 83.82 [3.300] | 86.36 [3.400] | 68 | 8-534998-4 |
| | 81.28 [3.200] | 83.82 [3.300] | 66 | 8-534998-3 |
| | 78.74 [3.100] | 81.28 [3.200] | 64 | 8-534998-2 |
| | 76.20 [3.000] | 78.74 [3.100] | 62 | 8-534998-1 |
| | 73.66 [2.900] | 76.20 [3.000] | 60 | 8-534998-0 |
| | 71.12 [2.800] | 73.66 [2.900] | 58 | 7-534998-9 |
| | 68.58 [2.700] | 71.12 [2.800] | 56 | 7-534998-8 |
| | 66.04 [2.600] | 68.58 [2.700] | 54 | 7-534998-7 |
| | 63.50 [2.500] | 66.04 [2.600] | 52 | 7-534998-6 |
| | 60.96 [2.400] | 63.50 [2.500] | 50 | 7-534998-5 |
| | 58.42 [2.300] | 60.96 [2.400] | 48 | 7-534998-4 |
| | 55.88 [2.200] | 58.42 [2.300] | 46 | 7-534998-3 |
| | 53.34 [2.100] | 55.88 [2.200] | 44 | 7-534998-2 |
| | 50.80 [2.000] | 53.34 [2.100] | 42 | 7-534998-1 |
| | 48.26 [1.900] | 50.80 [2.000] | 40 | 7-534998-0 |
| | 45.72 [1.800] | 48.26 [1.900] | 38 | 6-534998-9 |
| | 43.18 [1.700] | 45.72 [1.800] | 36 | 6-534998-8 |
| | 40.64 [1.600] | 43.18 [1.700] | 34 | 6-534998-7 |
| | 38.10 [1.500] | 40.64 [1.600] | 32 | 6-534998-6 |
| | 35.56 [1.400] | 38.10 [1.500] | 30 | 6-534998-5 |
| | 33.02 [1.300] | 35.56 [1.400] | 28 | 6-534998-4 |
| | 30.48 [1.200] | 33.02 [1.300] | 26 | 6-534998-3 |
| | 27.94 [1.100] | 30.48 [1.200] | 24 | 6-534998-2 |
| | 25.40 [1.000] | 27.94 [1.100] | 22 | 6-534998-1 |
| | 22.86 [.900] | 25.40 [1.000] | 20 | 6-534998-0 |
| | 20.32 [.800] | 22.86 [.900] | 18 | 5-534998-9 |
| | 17.78 [.700] | 20.32 [.800] | 16 | 5-534998-8 |
| | 15.24 [.600] | 17.78 [.700] | 14 | 5-534998-7 |
| | 12.70 [.500] | 15.24 [.600] | 12 | 5-534998-6 |
| | 10.16 [.400] | 12.70 [.500] | 10 | 5-534998-5 |
| | 7.62 [.300] | 10.16 [.400] | 8 | 5-534998-4 |
| | 5.08 [.200] | 7.62 [.300] | 6 | 5-534998-3 |
| | 2.54 [.100] | 5.08 [.200] | 4 | 5-534998-2 |
| | - | 2.54 [.100] | 2 | 5-534998-1 |
| SYMBOL | B | A | NO OF POSN | PART NUMBER |

| | 99.06 [3.900] | 101.60 [4.000] | 80 | 9-534998-0 |
|--------|------------------|-------------------|------------|-------------|
| | 96.52 [3.800] | 99.06 [3.900] | 78 | 8-534998-9 |
| | 93.98 [3.700] | 96.52 [3.800] | 76 | 8-534998-8 |
| | 91.44 [3.600] | 93.98 [3.700] | 74 | 8-534998-7 |
| SYMBOL | B | A | NO OF POSN | PART NUMBER |

| | | | | | |
|--|-------------|-------------------------------|--------------|-----------------|--|
| THIS DRAWING IS A CONTROLLED DOCUMENT. | | DIN M. BINNER 06NOV02 | | TE Connectivity | |
| TOLERANCES UNLESS OTHERWISE SPECIFIED: | | CHK J. JOLSON 06NOV02 | | NAME | |
| DIMENSIONS: | mm [INCHES] | APVD J. JOLSON 06NOV02 | PRODUCT SPEC | | |
| 0. PLC ± - | | 108-25022 | | | |
| 1. PLC ± ± 0.13[.005] | | APPLICATION SPEC | | | |
| 2. PLC ± ± - | | 114-25018 | | | |
| 3. PLC ± ± - | | SIZE | | | |
| 4. PLC ± ± - | | CASE CODE | | | |
| ANGLES | | DRAWING NO | | | |
| FINISH | | RESTRICTED TO | | | |
| MATERIAL | | WEIGHT | | | |
| 1 | | A1 00779 534998 | | | |
| 2 | | CUSTOMER DRAWING | | | |
| | | SCALE 4:1 SHEET 2 OF 2 REV P7 | | | |

Mouser Electronics

Authorized Distributor

Click to View Pricing, Inventory, Delivery & Lifecycle Information:

[TE Connectivity:](#)

[1-534998-6](#)