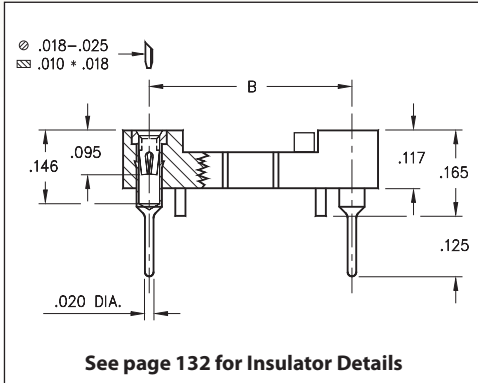
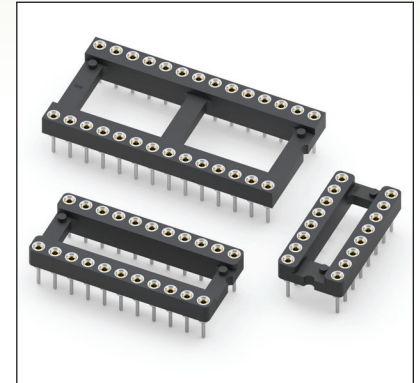


DUAL-IN-LINE SOCKETS

SERIES 110...605 • AUTOMATIC INSERTION • OPEN FRAME



- High temperature thermoplastic insulator with standoffs is compatible with standard automatic insertion equipment and all soldering processes
- Soft copper alloy machined pins allow clinching. Chamfered contact entry allows for ease of IC insertion without bent leads
- Hi-Rel, 4-finger BeCu #30 contact is rated at 3 amps. See page 253 for details
- Series 110 uses MM #1005 pins. See page 166 for details
- For Electrical, Mechanical and Environmental Data, see page 264 for details





ORDERING INFORMATION

Total number of pins	Pin Spacing Dimensions (mm)			Quantity per tube	Part Number
	A	B	C		
6	0.3	0.3	0.4	67	110-XX-306-41-605000
8	0.4	0.3	0.4	50	110-XX-308-41-605000
14	0.7	0.3	0.4	28	110-XX-314-41-605000
16	0.8	0.3	0.4	25	110-XX-316-41-605000
18	0.9	0.3	0.4	22	110-XX-318-41-605000
20	1.0	0.3	0.4	20	110-XX-320-41-605000
24	1.2	0.3	0.4	16	110-XX-324-41-605000
22	1.1	0.4	0.5	18	110-XX-422-41-605000
24	1.2	0.6	0.7	16	110-XX-624-41-605000
28	1.4	0.6	0.7	14	110-XX-628-41-605000
32	1.6	0.6	0.7	12	110-XX-632-41-605000
40	2.0	0.6	0.7	10	110-XX-640-41-605000

XX=Plating Code
See Below



SPECIFY PLATING CODE XX =	91	93	41	43	47
Sleeve (Pin) 	200 μ " Sn/Pb	200 μ " Sn/Pb	200 μ " Sn	200 μ " Sn	200 μ " Sn
Contact (Clip) 	10 μ " Au	30 μ " Au	10 μ " Au	30 μ " Au	Au Flash

