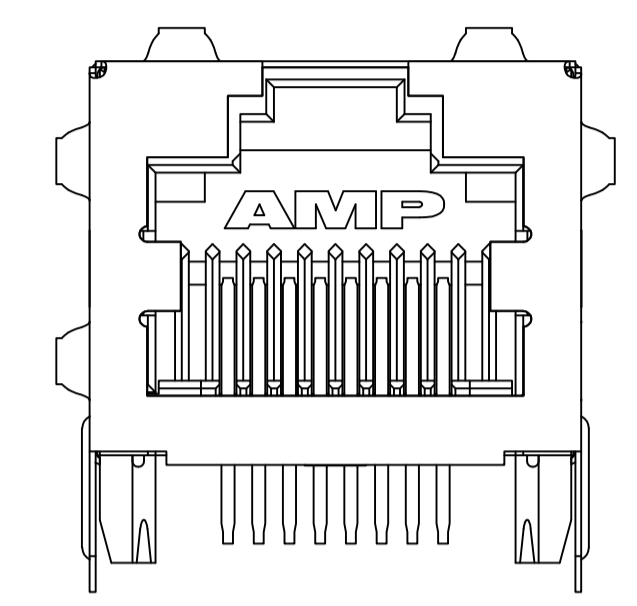
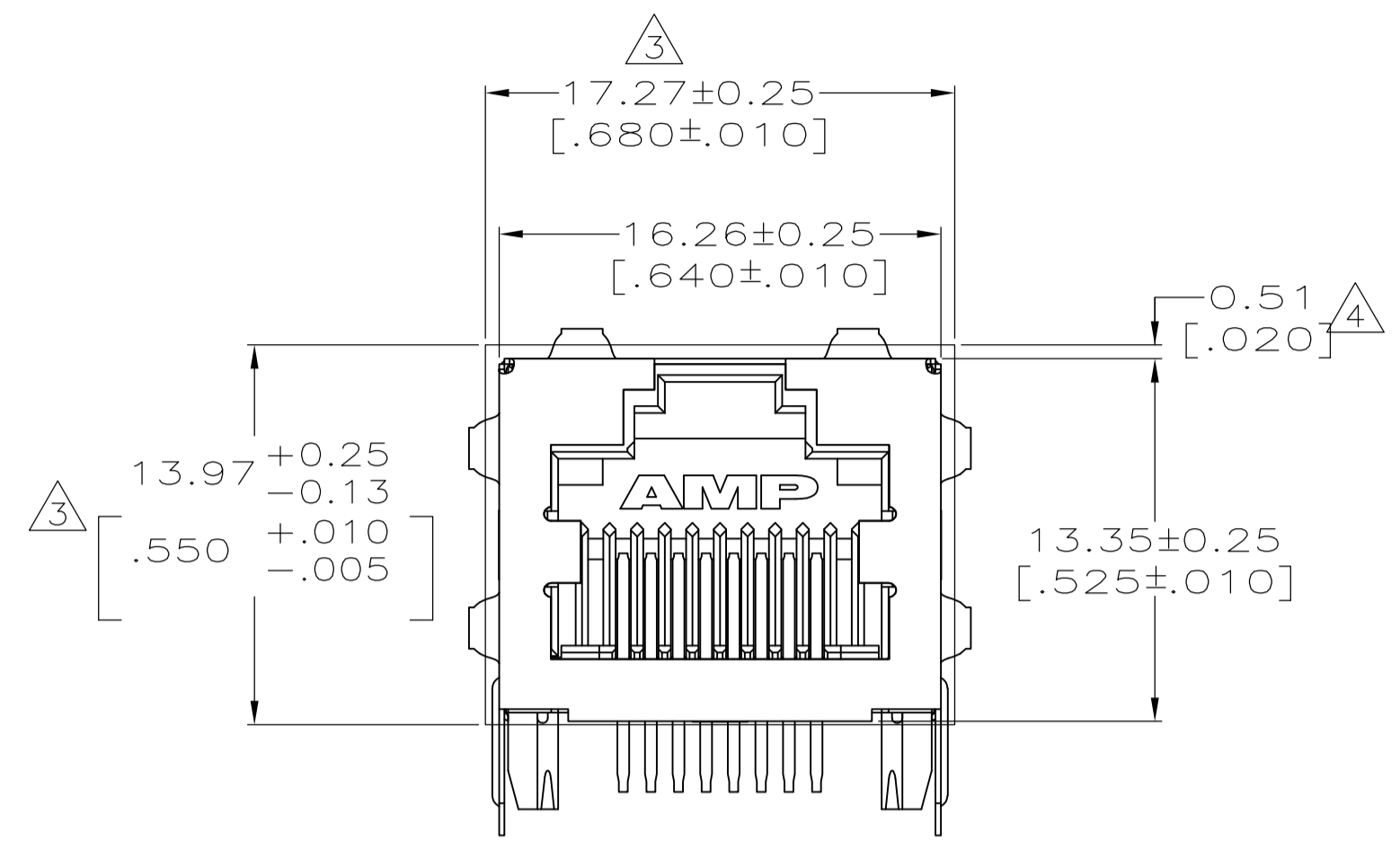
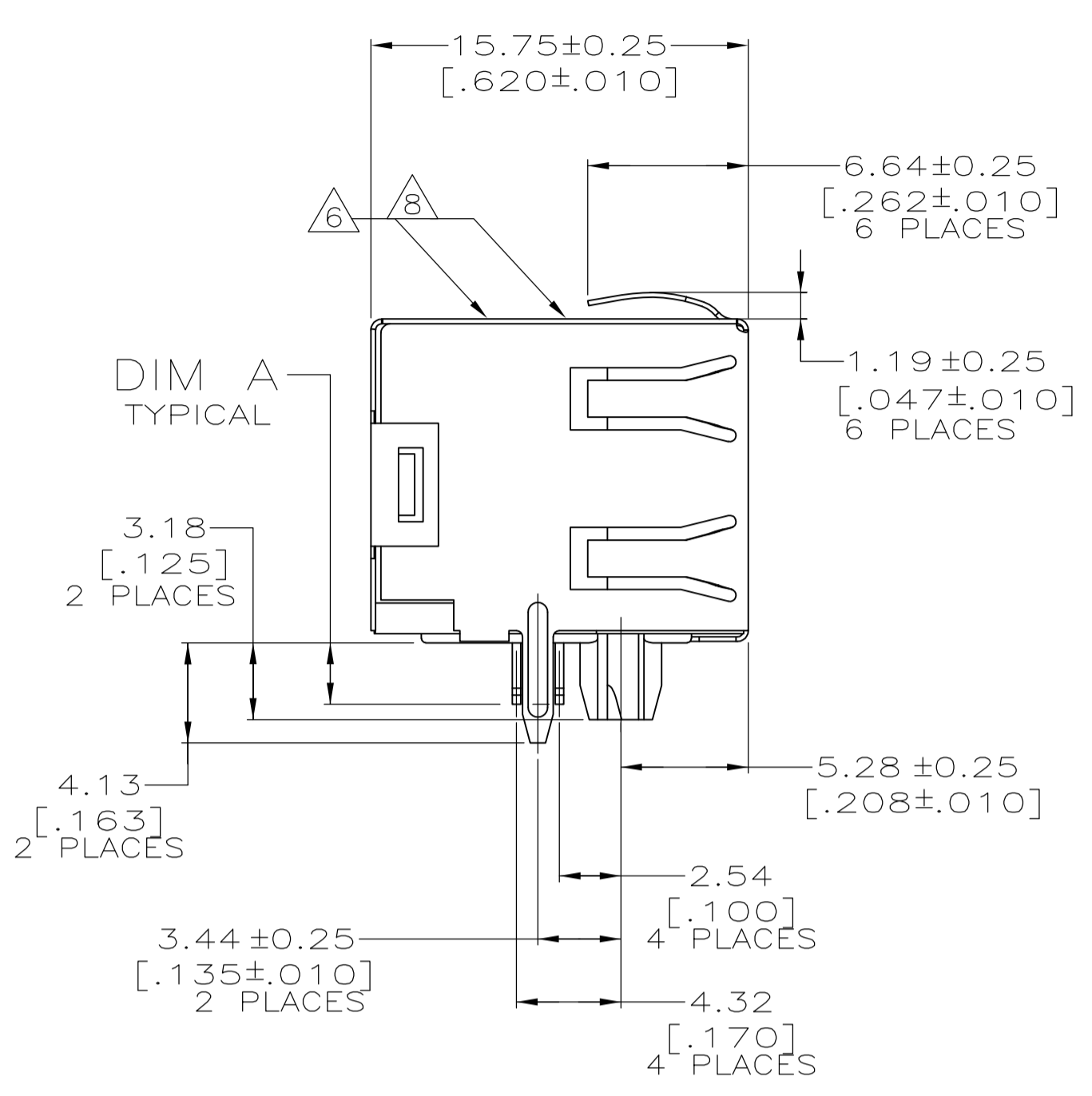


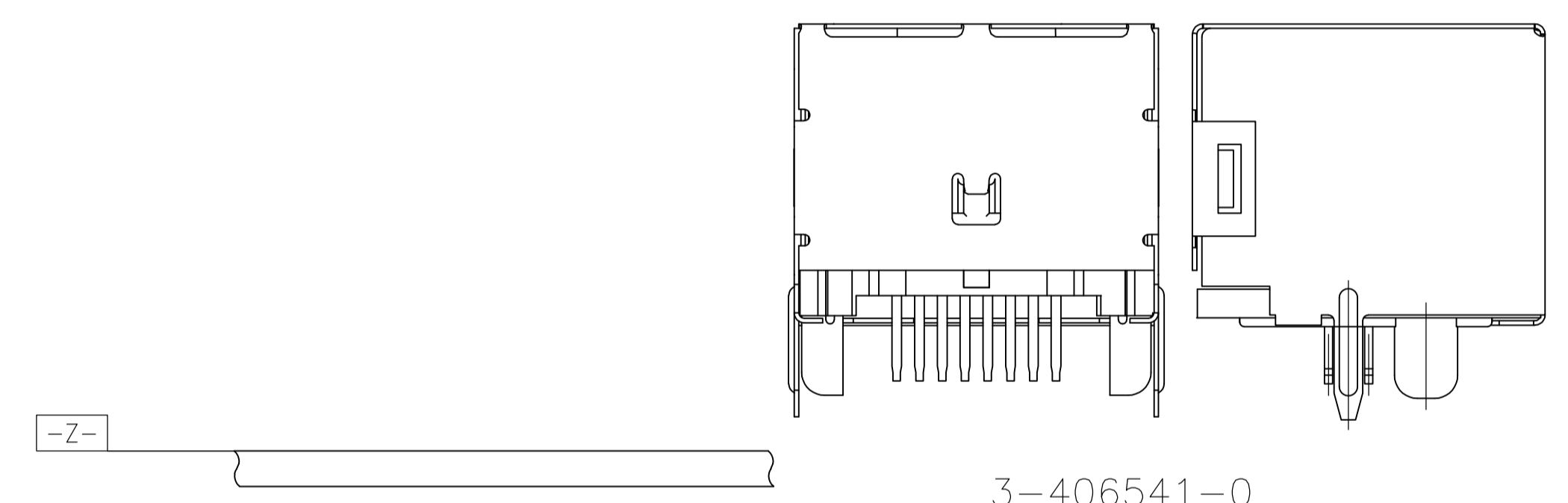
REVISIONS				
P	LTR	DESCRIPTION	DATE	OWN
R	PER	ECO-17-005949	21APR2017	AD SH



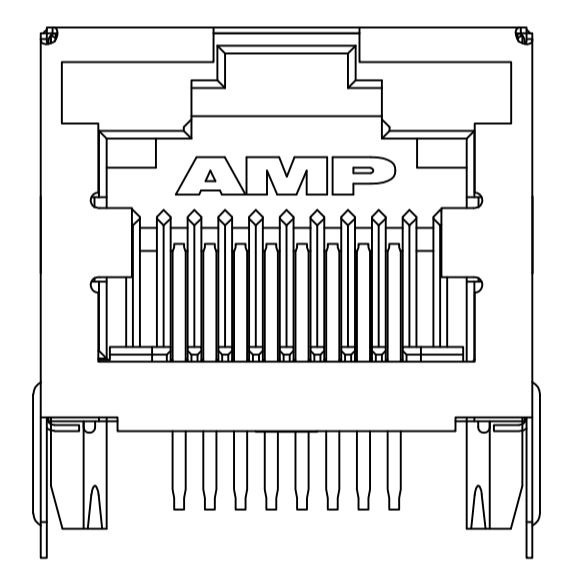
406541-1, -3, & -6
1-406541-1, 1-3, 1-6 & 1-9&2--6

406541-4
1-406541-4
WITHOUT LOWER RIGHT PANEL GROUND

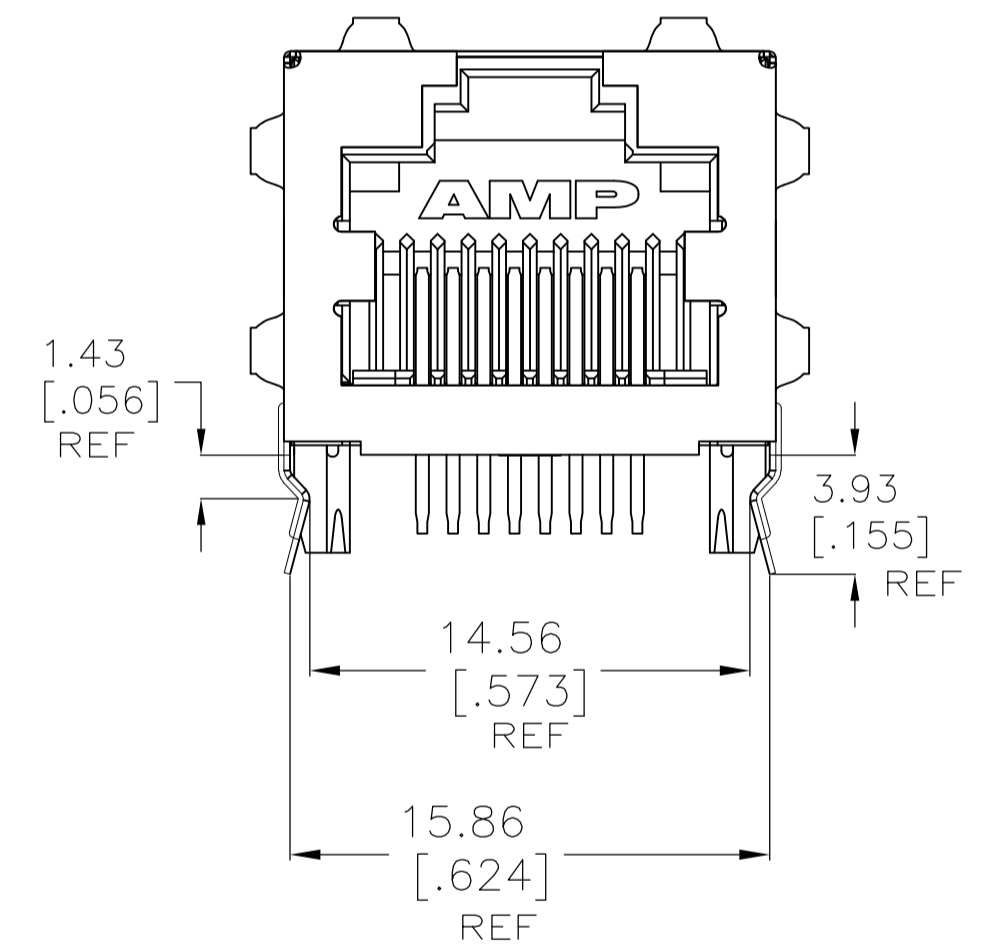
- REFLOW SOLDERING PROCESS COMPATIBLE
- MATERIAL:
HOUSING - HIGH TEMPERATURE THERMOPLASTIC, COLOR: BLACK, UL94V-0
TERMINALS - 0.36[.014] THICK PHOS BRONZE PLATED WITH 3.81µm[.000150] MINIMUM THICK (SEE P/N TABLE) IN SOLDER AREA. 1.27µm[.000050] MINIMUM GOLD IN LOCALIZED PLATE AREA. ENTIRE TERMINAL PLATED WITH 1.27µm[.000050] MINIMUM THICK NICKEL.
SHIELD - 0.196[.0077] THICK COPPER ZINC ALLOY PREPLATED WITH 1.27µm[.000050] MINIMUM SATIN NICKEL WITH 2.03µm[.000080] MINIMUM TIN POST DIPPED ON PCB GROUND TABS.
- JACK CAVITY CONFORMS TO FCC RULES AND REGULATIONS PART 68, SUBPART F.
- SUGGESTED PANEL OPENING DIMENSIONS.
- SUGGESTED CLEARANCE BETWEEN TOP OF CONNECTOR AND TOP PANEL OPENING.
- ON 406541-4 & 1-406541-4 LOWER RIGHT HAND PANEL GROUND TAB IS NOT PRESENT.
- MANUFACTURING DATE CODE: LOCATED APPROX. AS SHOWN. FIRST 2 DIGITS = LAST 2 DIGITS OF YEAR. NEXT 2 DIGITS = MANUFACTURING WORK WEEK, LAST DIGIT = DAY OF WEEK WITH SUNDAY = 1.
- OBsolete PARTS: OBsolete CIS STREAMLINING PER D.RENAUD/D.SINISI
- ADD PN ON TOP SURFACE FOR REQUIRED PARTS



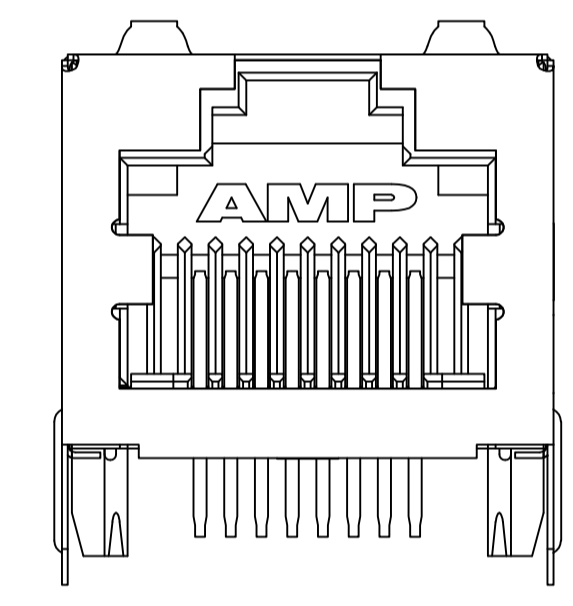
3-406541-0
NARROW POST TYPE



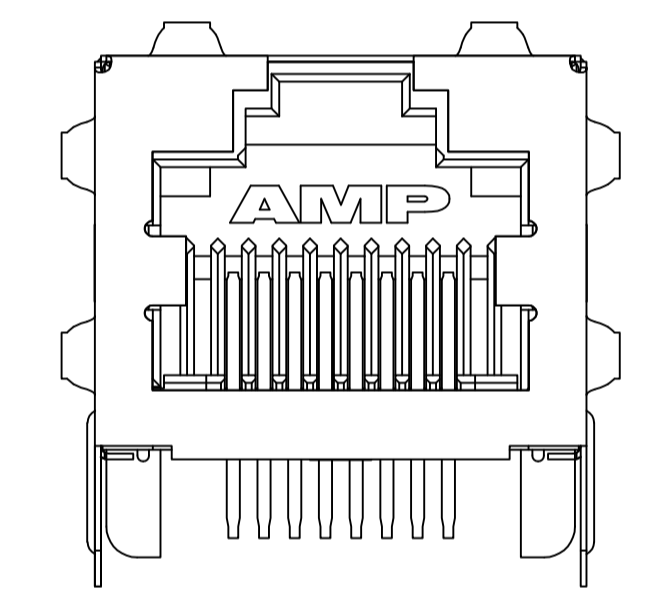
406541-5
1-406541-5
1-406541-8
4-406541-8
WITHOUT PANEL GROUNDS



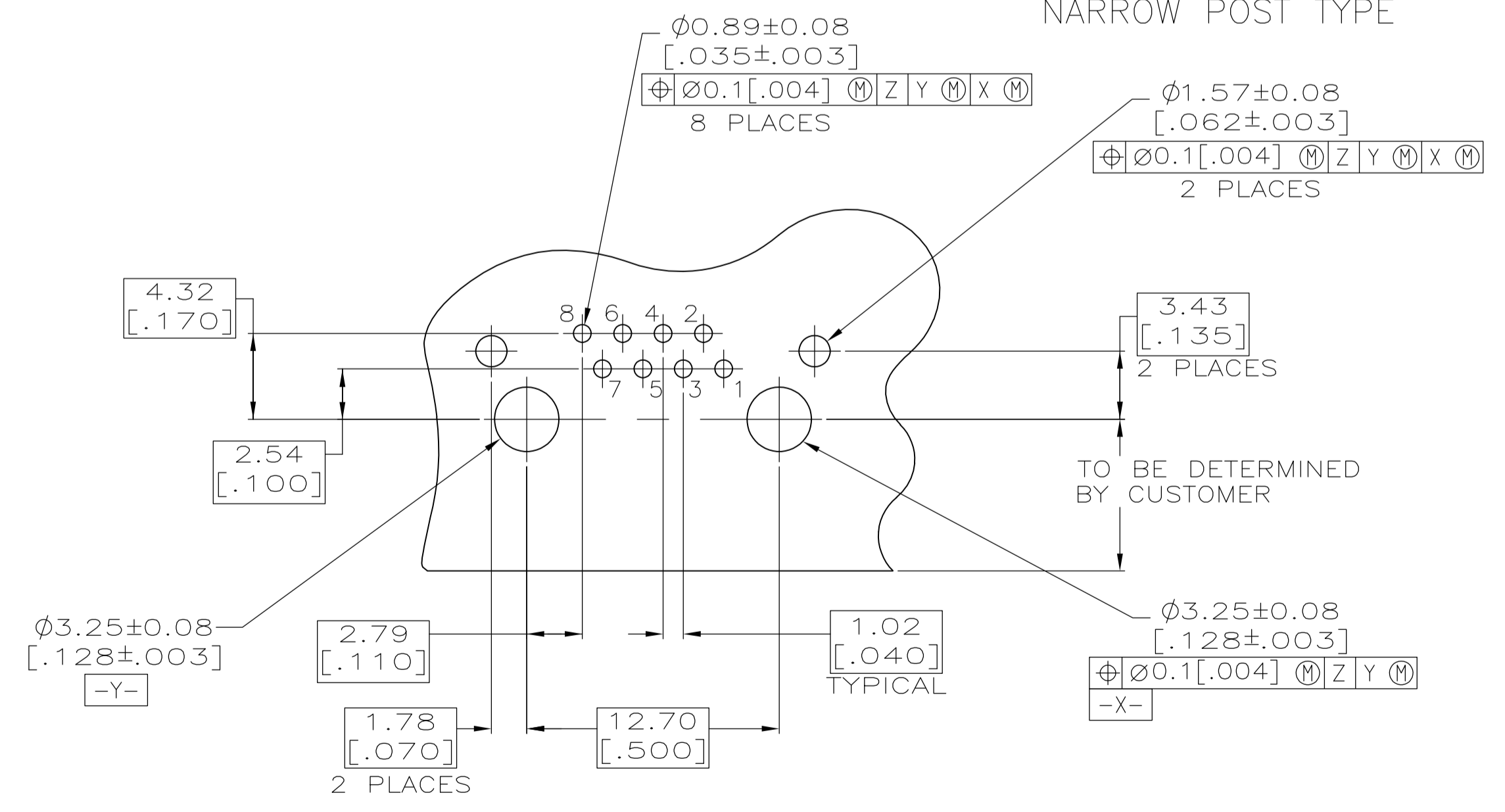
1-406541-7, 2-406541-7



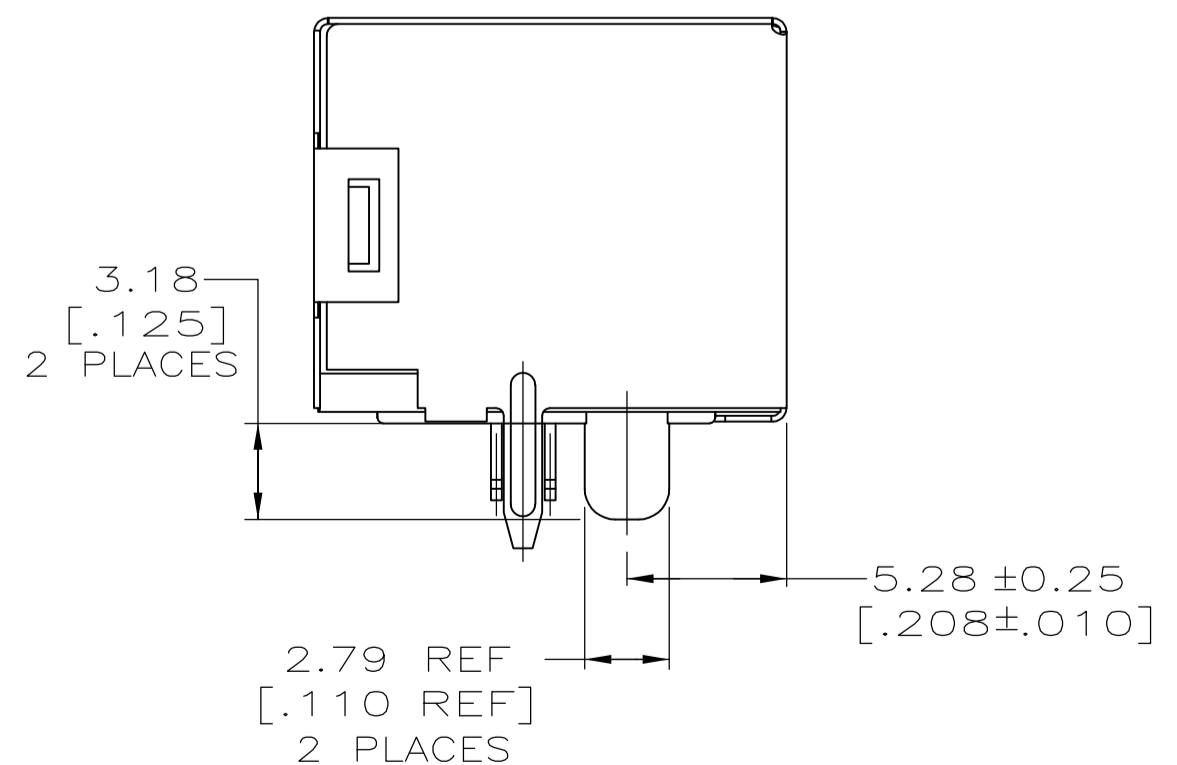
2-406541-1
2-406541-4
WITHOUT SIDE PANEL GROUND



2-406541-3
NARROW POST TYPE



SUGGESTED PRINTED CIRCUIT BOARD LAYOUT
(COMPONENT SIDE)



2-406541-0, 2-2
NARROW POST TYPE

TERMINAL PLATING	PACKAGING	PANEL GROUNDS	DIM A	PART NUMBER
MATTE TIN	TAPE/REEL	0	2.54 [0.100]	4-406541-8
	TAPE/REEL	0	2.54 [0.100]	3-406541-0
	TRAY	6	2.54 [0.100]	2-406541-7
	TRAY	6	3.56 [0.140]	2-406541-6
	TAPE/REEL	2	2.54 [0.100]	2-406541-4
	TRAY	6	3.05 [0.120]	2-406541-3
	TRAY	0	2.54 [0.100]	2-406541-2
	TRAY	2	2.54 [0.100]	2-406541-1
	TAPE/REEL	0	2.54 [0.100]	2-406541-0
	TRAY	6	3.05 [0.120]	1-406541-9
	TAPE/REEL	0	2.54 [0.100]	1-406541-8
	TRAY	6	2.54 [0.100]	1-406541-7
BRIGHT TIN-LEAD	TRAY	6	3.56 [0.140]	1-406541-6
	TRAY	0	2.54 [0.100]	1-406541-5
	TRAY	5	2.54 [0.100]	1-406541-4
	TRAY	6	2.00 [0.079]	1-406541-3
	TRAY	6	2.54 [0.100]	1-406541-1
	TRAY	6	3.56 [0.140]	406541-6
	TRAY	0	2.54 [0.100]	406541-5
	TRAY	5	2.54 [0.100]	406541-4
	TRAY	6	2.00 [0.079]	406541-3
	TRAY	6	2.54 [0.100]	406541-1
	TRAY	6	2.54 [0.100]	406541-1
	TRAY	6	2.54 [0.100]	406541-1

THIS DRAWING IS A CONTROLLED DOCUMENT.		DIN IS/LA.MAYER 09JAN2008		TE Connectivity	
DIMENSIONS: mm [INCHES]		TOLERANCES UNLESS OTHERWISE SPECIFIED:		NAME	
0 PLC	±	0.25 [0.010]	APVD S.FLICKINGER 09JAN2008	INVERT MODULAR JACK ASSEMBLY 1 X 1, SHIELDED, PANEL GROUND	
1 PLC	±	0.25 [0.010]	APVD S.FLICKINGER 09JAN2008	PRODUCT SPEC	
2 PLC	±	0.25 [0.010]	APVD S.FLICKINGER 09JAN2008	APPLICATION SPEC	
3 PLC	±	0.25 [0.010]	APVD S.FLICKINGER 09JAN2008	SIZE	
4 PLC	±	0.25 [0.010]	APVD S.FLICKINGER 09JAN2008	CAGE CODE	
ANGLES	±	0.25 [0.010]	APVD S.FLICKINGER 09JAN2008	DRAWING NO	
MATERIAL	SEE TABLE	FINISH	SEE TABLE	WEIGHT	0.000000
CUSTOMER DRAWING		SCALE		4:1	SHEET 1 of 1
REV		REV		REV	

Mouser Electronics

Authorized Distributor

Click to View Pricing, Inventory, Delivery & Lifecycle Information:

[TE Connectivity:](#)

[406541-1](#)