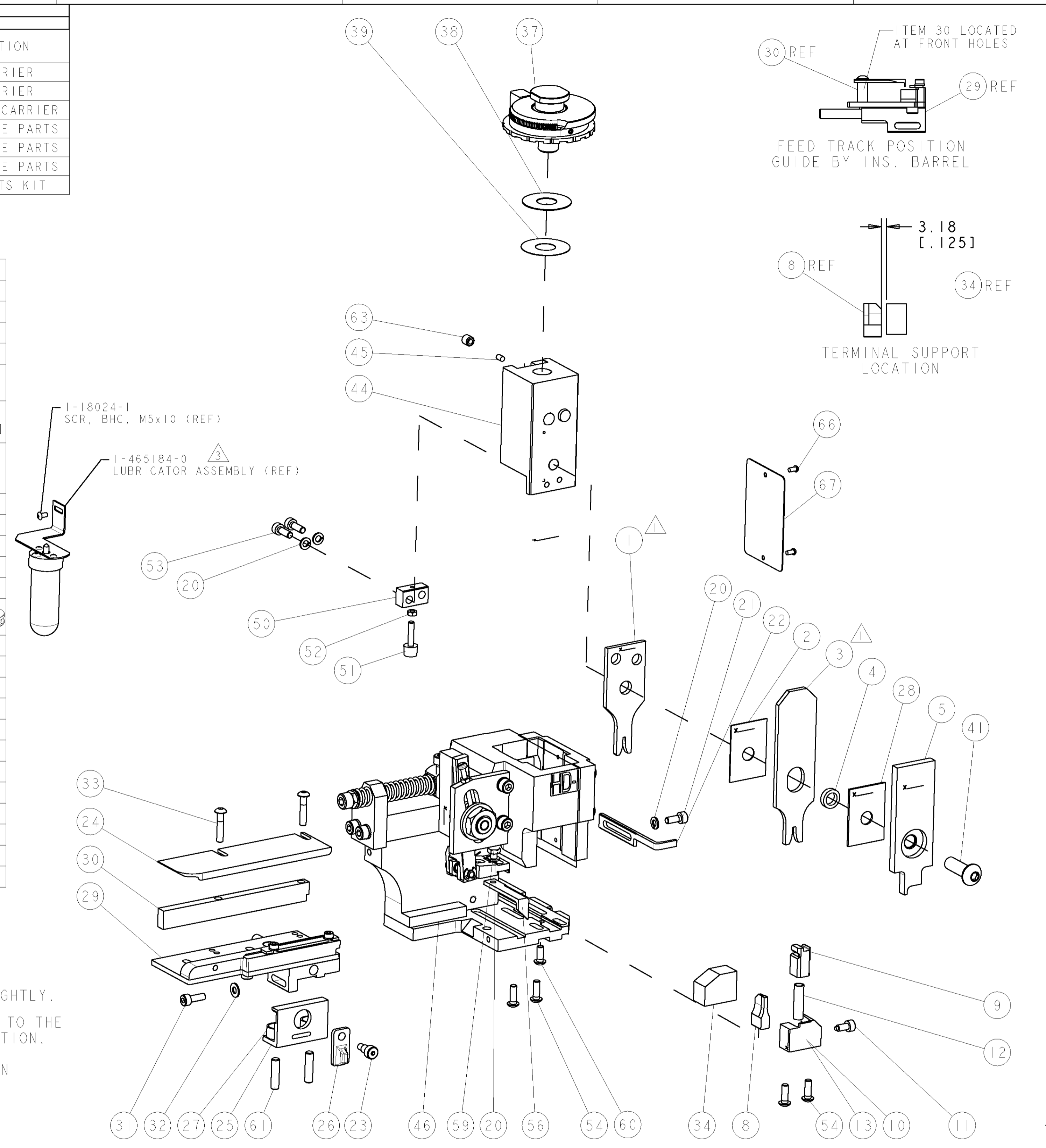
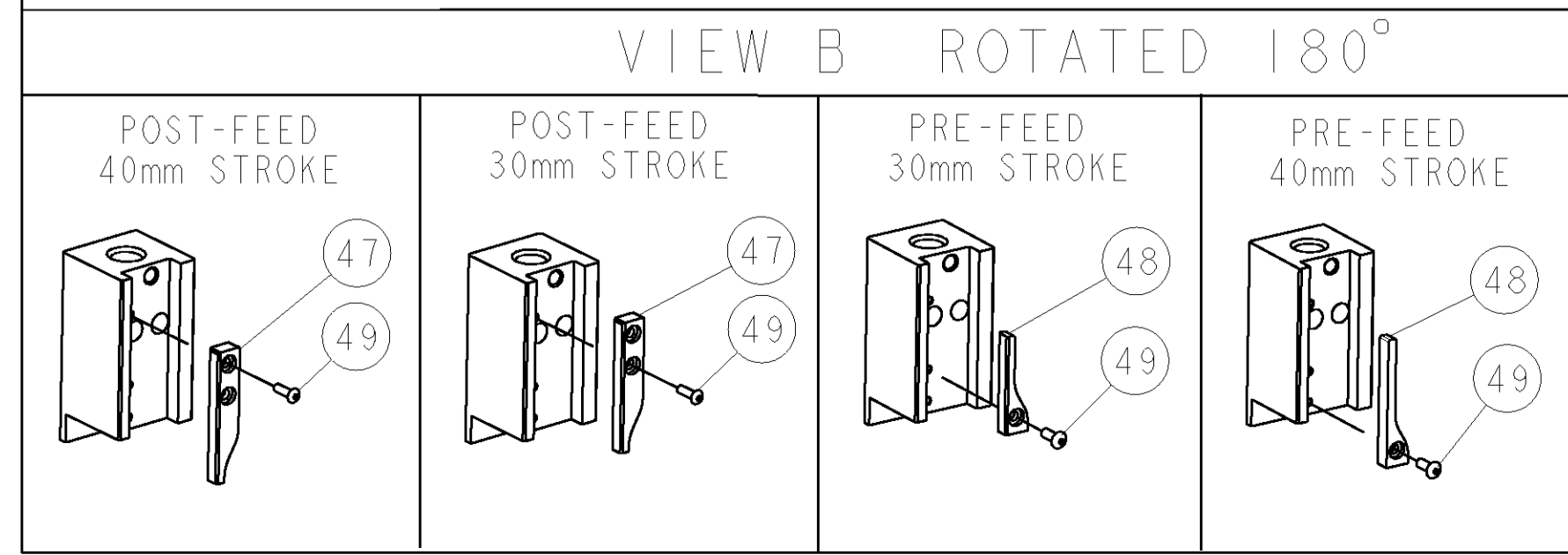


PART NUMBER	REV	TERMINATOR	FEED TYPE	DESCRIPTION
1530057-1	A	LEADMAKER	MECH POST FEED	CUTS CARRIER
1530057-2	A	BENCH	MECH PRE FEED	CUTS CARRIER
1530057-6	A	LEADMAKER	MECH POST FEED	CONTINUOUS CARRIER
7-1530057-1	A	LEADMAKER	MECH POST FEED	-1 AND SPARE PARTS
7-1530057-2	A	BENCH	MECH PRE FEED	-2 AND SPARE PARTS
7-1530057-6	A	LEADMAKER	MECH POST FEED	-6 AND SPARE PARTS
7-1530057-7	A	-	-	SPARE PARTS KIT

CRIMP DATA		YAZAKI TERMINAL		TE CRIMP SPECS	
TERMINAL NAME: TERMINAL 070 TYPE, FEMALE					
CRIMP	SIZE	TYPE	RANGE		
WIRE	1.57 [1.062 IN]	F	0.50-0.75mm ²		
INSUL	2.54 [1.000 IN]	F	2.50 MAX [1.098 IN MAX]		
WIRE STRIP LENGTH 3.9-4.7 [1.54-1.85 IN]		APPL INSTRUCTIONS 408-8322 & 408-8490			
TERMINAL APPL SPEC 114-3118		FEED 11.00 [4.33 IN]			
TERMINALS APPLIED					
TE PN	MANUF PN				
286937-1	7116-1473				
WIRE SIZE	CRIMP HEIGHT	REF SETTING			
0.75mm ²	1.22 ± 0.05 [1.048 ± .002 IN]	A7			
0.50mm ²	1.09 ± 0.05 [1.043 ± .002 IN]	B7			

- △ RECOMMENDED SPARE PARTS.
- 2. GREASE RAM, CAM, CAM FOLLOWER AND FEED ROD LIGHTLY.
- △ CERTAIN TERMINALS REQUIRE LUBRICATION. REFER TO THE APPLICATOR INSTRUCTION SHEET FOR MORE INFORMATION.
- 4. LUBRICATE DAILY PER THE APPLICATOR INSTRUCTION SHEET SUPPLIED WITH THE APPLICATOR.



* WARNING
ON INSTALLATION, SET WIRE DISC TO LARGEST WIRE SIZE SETTING. USE OF SETTINGS BELOW MIN. REQUIRED CRIMP HEIGHT SETTING WILL CAUSE DAMAGE TO CRIMP TOOLING.

LOC	DIST	REV	DESCRIPTION	DATE	OWN	APVD
A	66	2	UPDATE RAM AND HOLD DOWN	06FEB2009	MEH	TE
A			RELEASED	18FEB2009	MEH	TE

-	1	1	1	1	1	1	1338705-3	DOCUMENTATION PACKAGE	71
-	1	1	1	1	1	1	461264-5	PLATE, IDENTIFICATION	67
-	2	2	2	2	2	2	21017-2	SCREW, DRIVE	66
-	1	1	1	1	1	1	3-18031-0	SCR, SET, CUP POINT M6 X 6.0	63
-	2	2	2	2	2	2	2-18032-5	SCR, SET, FLT POINT M5 X 20.0	61
-	1	1	1	1	1	1	18024-7	SCR, BTN SKT HD CAP (M4 X 10.0)	60
-	1	1	1	1	1	1	5-18022-2	SCR, HEX HD CAP M4 X 8.0	59
-	1	1	1	1	1	1	1338685-1	PAWL, FEED	56
-	4	4	4	4	4	4	18024-8	SCR, BTN SKT HD CAP (M4 X 12.0)	54
-	2	2	2	2	2	2	1-18023-2	SCR, SKT HD CAP M4 X 12.0	53
-	1	1	1	1	1	1	18030-1	NUT, HEX, REG M3	52
-	1	1	1	1	1	1	811242-5	BUMPER, HOLD DOWN	51
-	1	1	1	1	1	1	690753-2	SPACER, TONKER	50
-	1	1	1	1	1	1	18024-3	SCR, BTN SKT HD CAP (M3 X 10.0)	49
-	1	-	1	1	-	1	1338676-1	CAM, UNIVERSAL POST-FEED	47
-	1	1	1	1	1	1	1320999-3	APPLICATOR SUBASSEMBLY, HDI	46
-	1	1	1	1	1	1	690191-1	PLUG, NYLON	45
-	1	1	1	1	1	1	1338660-1	RAM, (SIDE FEED)	44
-	1	1	1	1	1	1	2-18024-6	SCR, BTN SKT HD CAP (M8 X 25.0)	41
-	1	1	1	1	1	1	690125-1	SHIM SUB-ASSY	39
-	1	1	1	1	1	1	469367-9	SHIM	38
-	1	1	1	1	1	1	879103-2	FINE ADJUST HEAD ASSEMBLY	37
-	1	1	1	1	1	1	1320934-3	SUPPORT, TERMINAL	34
-	2	2	2	2	2	2	1-18024-0	SCR, BTN SKT HD CAP (M4 X 20.0)	33
-	1	1	1	1	1	1	18027-2	WASHER, FLAT, REG M4	32
-	1	1	1	1	1	1	1-18023-2	SCR, SKT HD CAP M4 X 12.0	31
-	1	1	1	1	1	1	1-1320908-5	SPACER, STRIP GUIDE	30
-	1	1	1	1	1	1	1633073-1	STRIP GUIDE ASSEMBLY	29
-	1	1	1	1	1	1	1-455888-0	SPACER, CRIMPER	28
-	2	2	2	2	2	2	1-22284-0	SPRING, COMPRESSION	27
-	1	1	1	1	1	1	356835-1	LEVER, DRAG RELEASE	26
-	1	1	1	1	1	1	240792-1	DRAG, TERMINAL	25
-	1	1	1	1	1	1	1320928-1	PLATE, STRIP GUIDE	24
-	1	1	1	1	1	1	980371-4	SCR, SKT HD SHLDR 5.0 DIA X 6.0	23
-	1	-	1	1	-	1	690472-2	STRIPPER	22
-	1	1	1	1	1	1	1-18023-1	SCR, SKT HD CAP M4 X 10.0	21
-	4	4	4	4	4	4	18025-2	WASHER, SPRG LOCK, REG M4	20
-	-	1	-	-	1	-	690472-1	STRIPPER	19
-	1	1	1	1	1	1	1338684-1	SHEAR HOLDER, FRONT	13
-	-	-	-	-	-	-	-	-	13
-	1	1	1	1	1	1	3-22280-3	SPRING, COMPRESSION	12
-	1	1	1	1	1	1	356885-4	STOP, SHEAR	11
-	-	1	1	-	1	1	1320921-1	SHEAR HOLDER, FRONT, CUT	10
-	1	1	1	1	1	1	1-454276-9	FLOATING SHEAR, FRONT	9
1	2	2	2	1	1	1	7-1633139-9	ANVIL, COMBINATION	8
-	-	-	-	-	-	-	-	-	7
-	-	-	-	-	-	-	-	-	6
-	1	1	1	1	1	1	1-455889-4	DEPRESSOR, SHEAR	5
-	1	1	1	1	1	1	238011-2	BLOCK, CRIMPER SPACER	4
1	2	2	2	1	1	1	4-456134-0	CRIMPER, INSULATION F PREMIUM	3
-	1	1	1	1	1	1	455888-5	SPACER, CRIMPER	2
1	2	2	2	1	1	1	1-456403-9	CRIMPER, WIRE PREMIUM	1

ITEM NO	PART NO	DESCRIPTION	ITEM NO
-77	-76	-72	-71
-6	-2	-1	

DIMENSIONS: mm [IN]		TOLERANCES UNLESS OTHERWISE SPECIFIED:	
9 PLC	±	9 PLC	±
1 PLC	±	1 PLC	±
3 PLC	±	3 PLC	±
4 PLC	±	4 PLC	±
ANGLES		±	
MATERIAL		FINISH	
-		-	

APPROVED: N. DEMING 30JAN2009	NAME: FINE ADJUST SIDE FEED HDI APPLICATOR
DATE: 30JAN2009	SIZE: A1
SCALE: 3:5	SHEET: 1 OF 1
CUSTOMER DRAWING	REV: A

Mouser Electronics

Authorized Distributor

Click to View Pricing, Inventory, Delivery & Lifecycle Information:

[TE Connectivity:](#)

[1530057-6](#)