

THE INFORMATION CONTAINED HEREIN IS CONSIDERED "PROPRIETARY" TO BEL FUSE INC. AND SHALL NOT BE COPIED, REPRODUCED OR DISCLOSED WITHOUT THE WRITTEN APPROVAL OF BEL FUSE INC.

RoHS  
2002/95/EC



LED1 POLARITY			LED2 POLARITY		
PIN 13	PIN 14	COLOR	PIN 15	PIN 16	COLOR
-	+	YELLOW	+	-	ORANGE
/	/	/	-	+	GREEN

**ELECTRICAL CHARACTERISTICS @ 25°C**

**URNS RATIO**

TP1	1CT : 1CT ±2%
TP2	1CT : 1CT ±2%
TP3	1CT : 1CT ±2%
TP4	1CT : 1CT ±2%

**□CL @ 100kHz/100mVRMS**

8mA DC BIAS 350µH MIN.

**INS. LOSS**

0.1MHz TO 1MHz	-1.1 dB MAX
1MHz TO 65MHz	-0.5 dB MAX
65MHz TO 100MHz	-0.8 dB MAX
100MHz TO 125MHz	-1.2 dB MAX

**RET. LOSS (MIN)**

0.5MHz-40MHz	-18 dB
40MHz-100MHz	-12+20LOG(f/80MHz) dB

**CM TO CM REJ**

100kHz - 100MHz -30 dB MIN

**CM TO DM REJ**

100kHz - 100MHz -35 dB MIN

**HIPOT (Isolation Voltage):**

1500 Vrms

100% OF PRODUCTION TESTED TO COMPLY WITH IEEE 802.3 ISOLATION REQUIREMENTS.

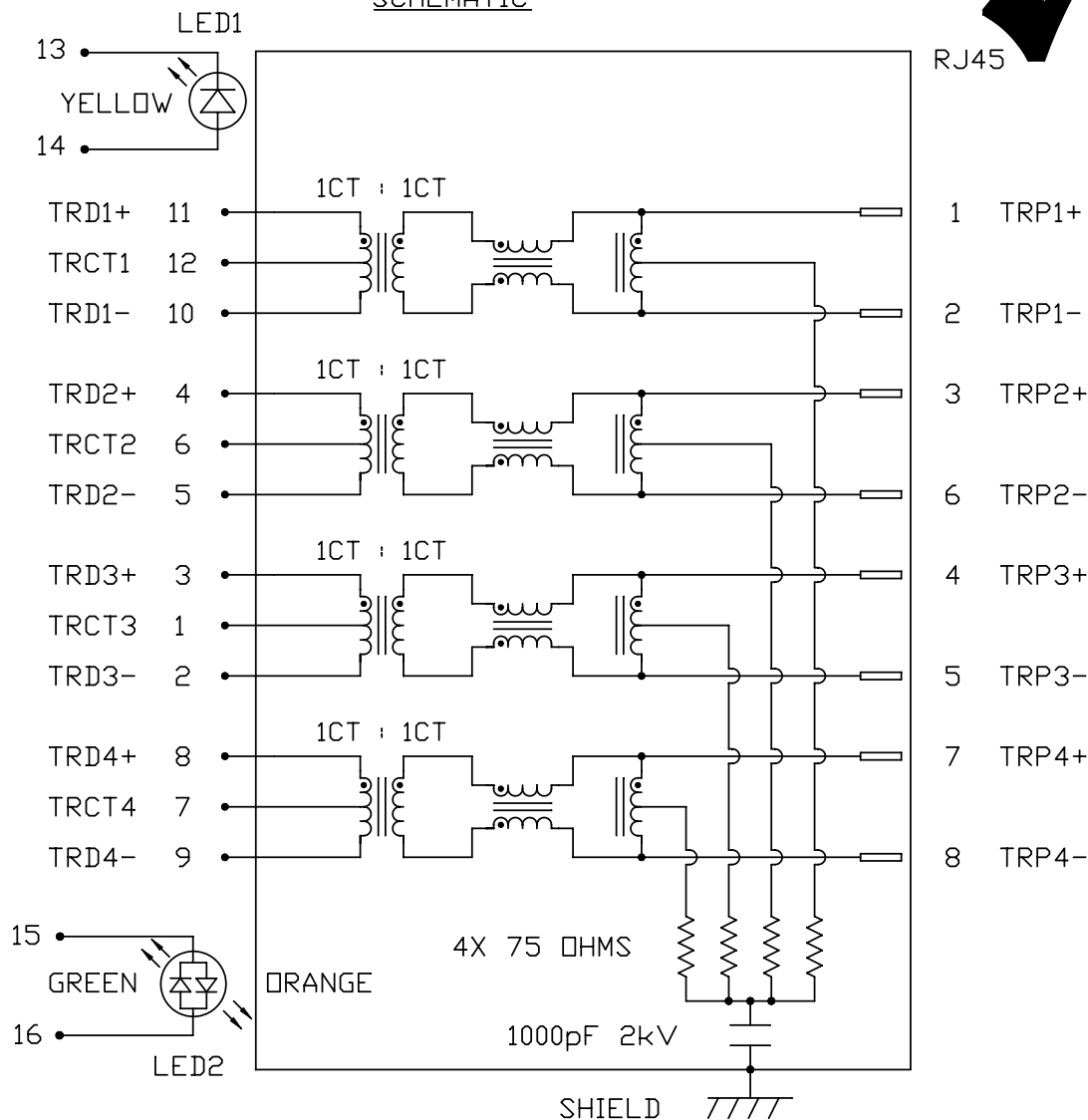
**LED 1**

VF (FORWARD VOLTAGE) IF=20mA YELLOW 2.1V TYP.  
λD (DOMINANT WAVELENGTH) IF=20mA YELLOW 590nm TYP.

**LED 2**

VF (FORWARD VOLTAGE) IF=20mA GREEN 2.2V TYP.  
ORANGE 2.0V TYP.  
λD (DOMINANT WAVELENGTH) IF=20mA GREEN 565nm TYP.  
ORANGE 610nm TYP.

**SCHEMATIC**



<b>ORIGINATED BY</b>	<b>DATE</b>
CHOW WANGCHUNG	10-29-08
<b>DRAWN BY</b>	<b>DATE</b>
LI YONGFENG	10-29-08

<b>TITLE</b>
gigabit MagJack® (12 cores, Tab Up) 0826-1X2T-23-F

<b>PART NO. / DRAWING NO.</b>
08261X2T23-F
<b>FILE NAME</b>
08261X2T23-F_B.DWG

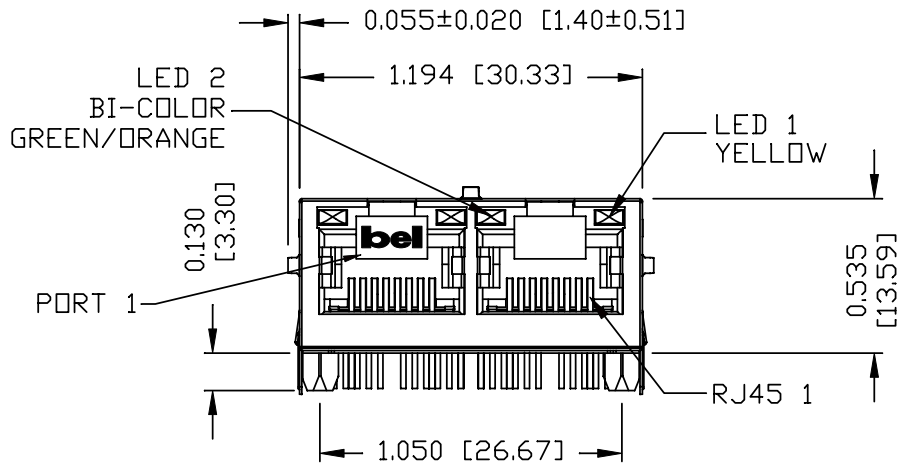
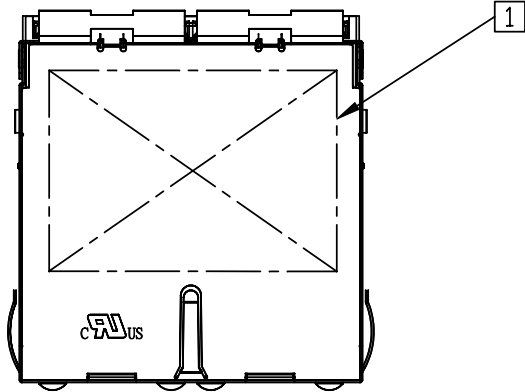
<b>STANDARD DIM. TOL. IN INCH</b>
.X
.XX
.XXX

<b>[ ] METRIC DIM. AS REFERENCE</b>	
UNIT : INCH [mm]	REV. : B
SCALE : N/A	SIZE : A4
	PAGE : 2



THE INFORMATION CONTAINED HEREIN IS CONSIDERED "PROPRIETARY" TO BEL FUSE INC. AND SHALL NOT BE COPIED, REPRODUCED OR DISCLOSED WITHOUT THE WRITTEN APPROVAL OF BEL FUSE INC.

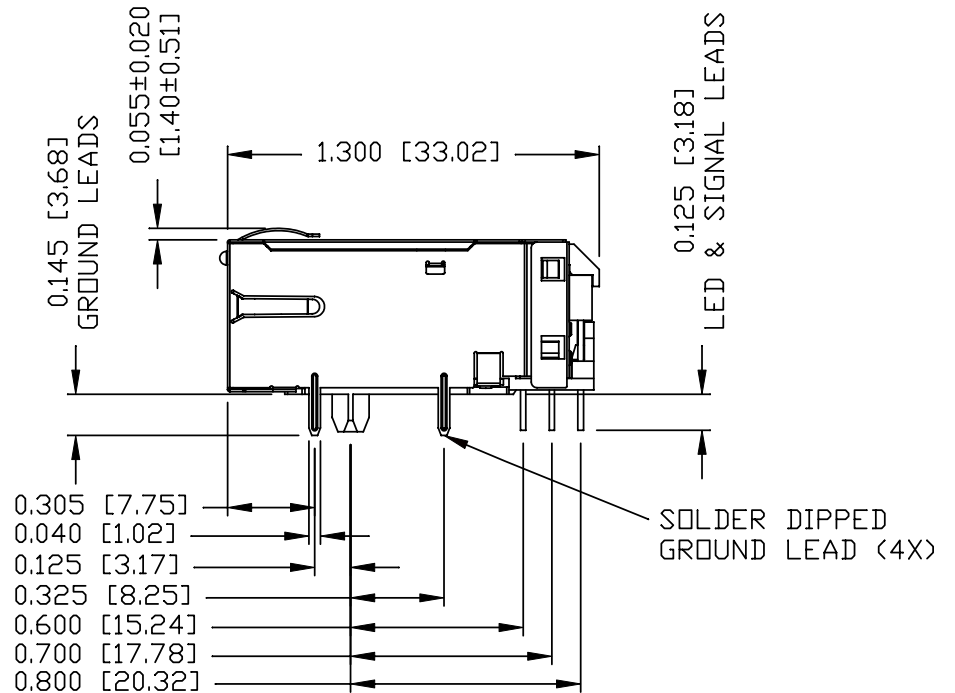
RoHS  
2002/95/EC



**NOTES:**

PLASTIC HOUSING: THERMOPLASTIC PBT  
FLAMMABILITY RATING UL 94V-0  
CONTACTS PLATING: 30 MICRO-INCH HARD GOLD PLATING  
TIN-COATED COPPER WIRE, DIA 0.018 INCH.  
METAL SHIELD: NICKEL PLATED ON COPPER ALLOY.  
(ALL GROUND LEADS ARE SOLDER DIPPED)

[1] MARK PART WITH MFG LOGO, PART NUMBER, DATE CODE AND MFG NAME.

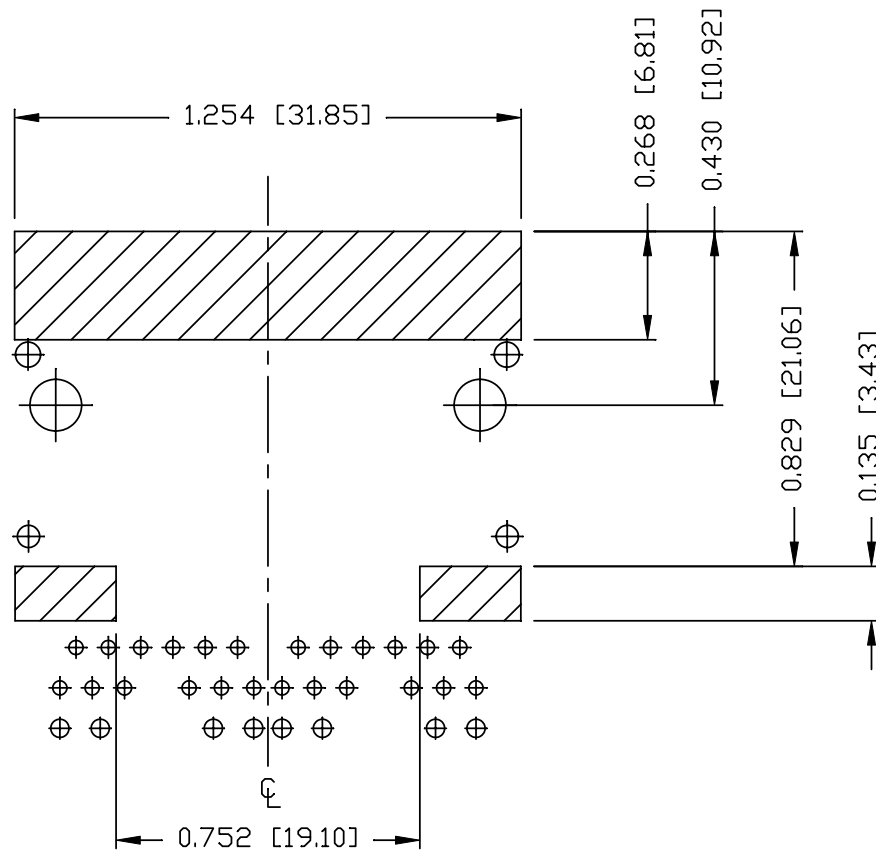


**UL** US UL RECOGNIZED - FILE #E196366 AND E169987.  
RoHS COMPLIANCE, PER EU DIRECTIVE 2002/95/EC.  
JACK CAVITY CONFORMS TO FCC RULES AND REGULATIONS.

ORIGINATED BY ZX HUANG	DATE 10-29-08	TITLE gigabit MagJack® (12 cores, Tab Up) 0826-1X2T-23-F	PART NO. / DRAWING NO. 08261X2T23-F	STANDARD DIM. TOL. IN INCH	[ ] METRIC DIM. AS REFERENCE		<b>bel</b> COMPONENTS OR A CONNECTED PLANET
DRAWN BY BL CHEN	DATE 10-29-08		FILE NAME 08261X2T23-F_B.DWG	.X .XX .XXX	UNIT : INCH [mm] SCALE : N/A ⊕	REV. : B SIZE : A4 PAGE : 3	
				±0.010			

THE INFORMATION CONTAINED HEREIN IS CONSIDERED "PROPRIETARY" TO BEL FUSE INC. AND SHALL NOT BE COPIED, REPRODUCED OR DISCLOSED WITHOUT THE WRITTEN APPROVAL OF BEL FUSE INC.

RoHS  
2002/95/EC



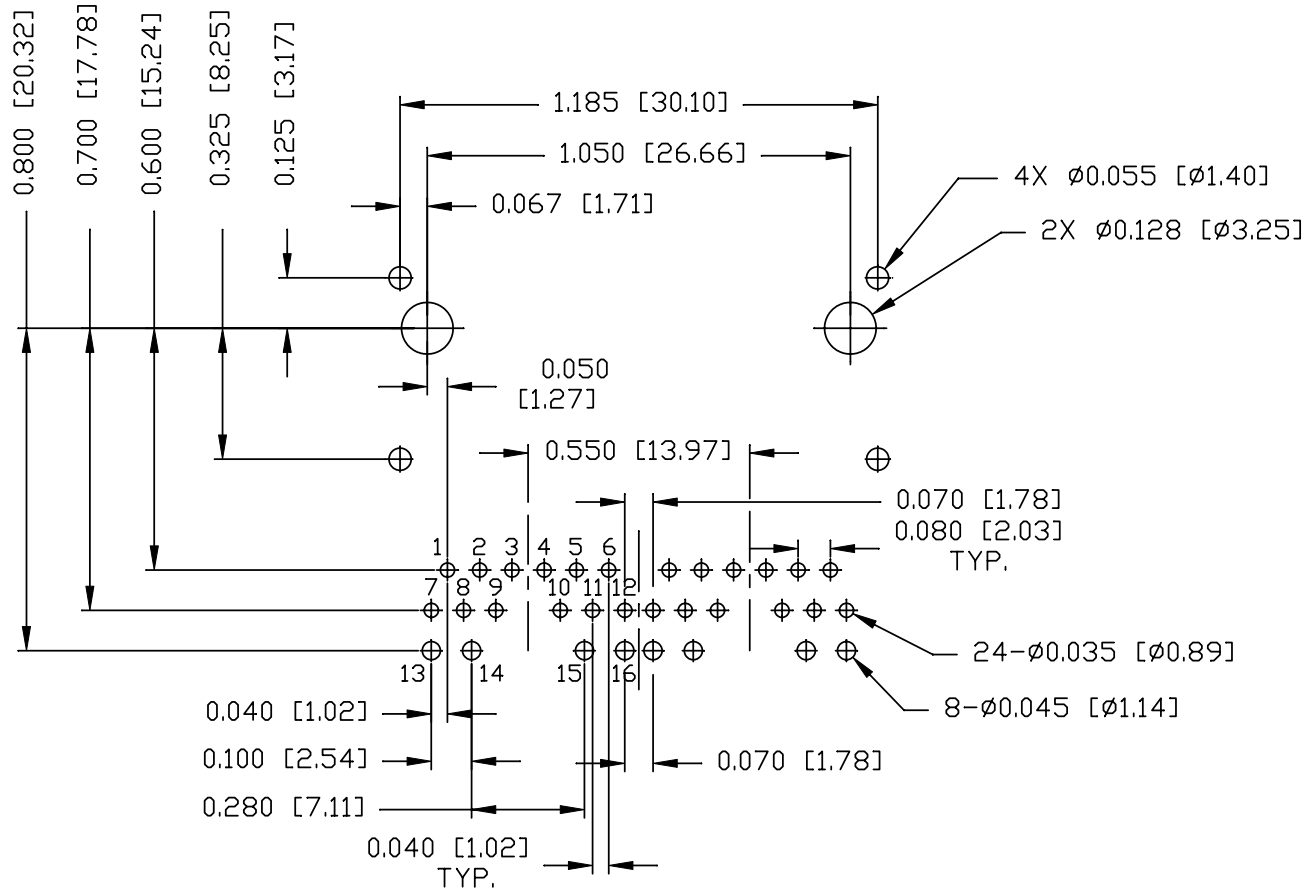
NOTES

THE SHADED AREA ON THE CUSTOMER BOARD ARE RECOMMENDED TO BE CLEAR OFF ANY VIA HOLE OR COMPONENT PAD.

ORIGINATED BY ZX HUANG	DATE 10-29-08	TITLE gigabit MagJack® (12 corse,Tab Up) 0826-1X2T-23-F	PART NO. / DRAWING NO. 08261X2T23-F	STANDARD DIM. TOL. IN INCH	[ ] METRIC DIM. AS REFERENCE	bel COMMUNICATIONS PLANT
DRAWN BY BL CHEN	DATE 10-29-08		FILE NAME 08261X2T23-F_B.DWG	.X .XX .XXX	UNIT : INCH [mm] SCALE : N/A ±0.004	

THE INFORMATION CONTAINED HEREIN IS CONSIDERED "PROPRIETARY" TO BEL FUSE INC. AND SHALL NOT BE COPIED, REPRODUCED OR DISCLOSED WITHOUT THE WRITTEN APPROVAL OF BEL FUSE INC.

RoHS  
2002/95/EC



RECOMMENDED PCB FOOTPRINT  
COMPONENT SIDE VIEW

ORIGINATED BY ZX HUANG	DATE 10-29-08	TITLE gigabit MagJack® (12 cores, Tab Up) 0826-1X2T-23-F	PART NO. / DRAWING NO. 08261X2T23-F		STANDARD DIM. TOL. IN INCH		[ ] METRIC DIM. AS REFERENCE	
			FILE NAME 08261X2T23-F_B.DWG		.X .XX .XXX	±0.004	UNIT : INCH [mm] SCALE : N/A	REV. : B SIZE : A4 PAGE : 5

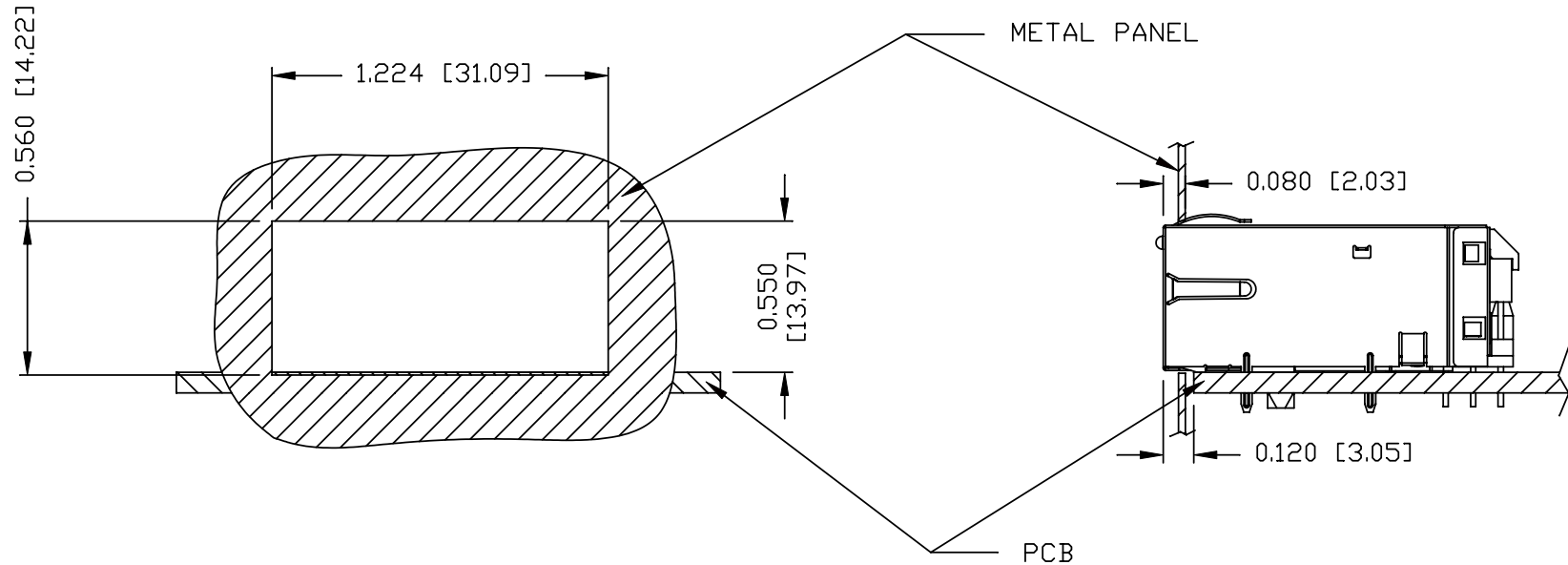


THE INFORMATION CONTAINED HEREIN IS CONSIDERED "PROPRIETARY" TO BEL FUSE INC. AND SHALL NOT BE COPIED, REPRODUCED OR DISCLOSED WITHOUT THE WRITTEN APPROVAL OF BEL FUSE INC.

RoHS  
2002/95/EC



SUGGESTED PANEL OPENING



NOTES:

THE DISTANCE OF PANEL INSIDE SURFACE RELATIVE TO FRONT SURFACE OF PART IS ONLY A SUGGESTION. IN CASE THIS DISTANCE IS DIFFERENT, THE REQUIRED PANEL OPENING DIMENSIONS CHANGE ACCORDINGLY.

PACKING INFORMATION

PACKING TRAY: 0200-9999-I1 (TOP)  
0200-9999-I2 (BOTTOM)

PACKING QUANTITY: 49 PCS FINISHED GOODS PER TRAY  
7 TRAYS (343 PCS FINISHED GOODS) PER CARTON BOX.

NOTE: CARDBOARD ARE PLACED BETWEEN LAYERS OF PACKING TRAY INSIDE CARTON BOX.  
(INCLUDE THE UPPERMOST AND LOWEREST TRAY)

ORIGINATED BY	DATE	TITLE	PART NO. / DRAWING NO.	STANDARD DIM. TOL. IN INCH	[ ] METRIC DIM. AS REFERENCE
ZX HUANG	10-29-08	gigabit MagJack® (12 cores, Tab Up) 0826-1X2T-23-F	08261X2T23-F	.X	UNIT : INCH [mm] REV. : B
DRAWN BY	DATE		FILE NAME	.XX	SCALE : N/A SIZE : A4
BL CHEN	10-29-08		08261X2T23-F_B.DWG	.XXX ±0.004	⊕ ← PAGE : 6



# Mouser Electronics

Authorized Distributor

Click to View Pricing, Inventory, Delivery & Lifecycle Information:

Bel:

[0826-1X1T-23-F](#) [0826-1X2T-23-F](#)