

4

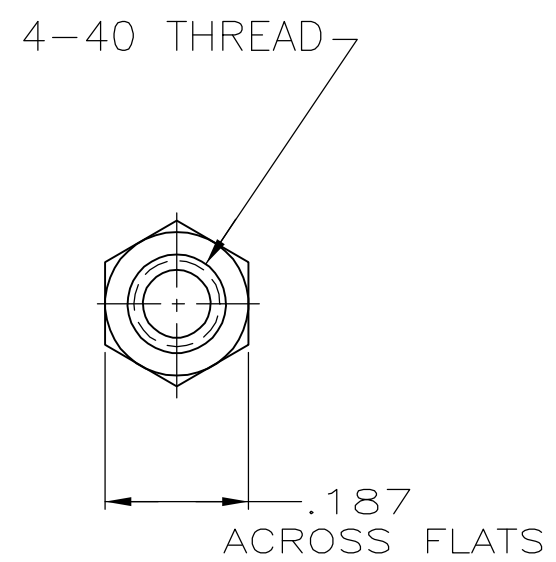
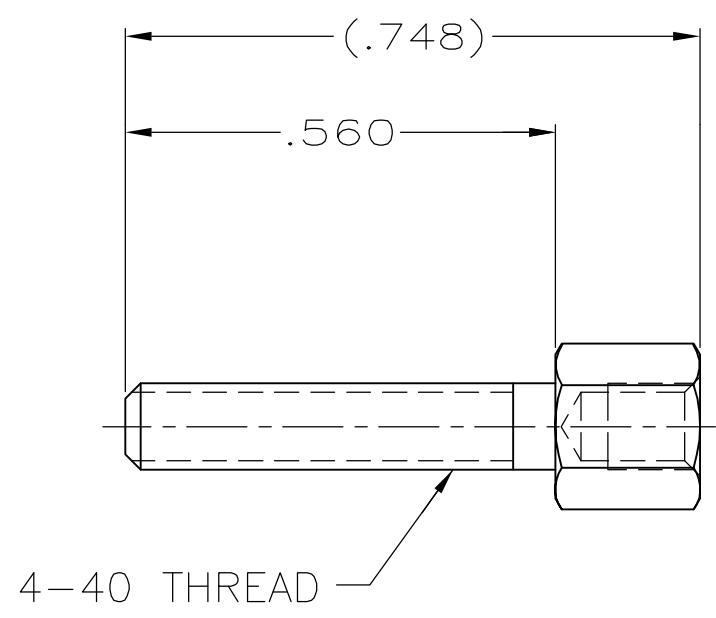
3

2

1

THIS DRAWING IS UNPUBLISHED. RELEASED FOR PUBLICATION
 © COPYRIGHT BY TYCO ELECTRONICS CORPORATION. ALL RIGHTS RESERVED.

| LOC | DIST | REVISIONS | | | |
|-----|------|-------------|------------------------------|---------|-------|
| P | LTR | DESCRIPTION | DATE | DWN | APVD |
| GP | 00 | 0 | RELEASED PER EC OS13-0207-05 | 23JUN05 | RR JG |



- ① ZINC PLATED .000200-.000400 THICK, YELLOW CHROMATE COATING.
- ② ZINC PLATED .000200-.000400 THICK, CLEAR CHROMATE COATING.

| | |
|--------|-------------|
| ② | 5207720-3 |
| ① | 5207720-2 |
| FINISH | PART NUMBER |

| | | | | | |
|--|--|--------------------------------|---|------------|---------------|
| THIS DRAWING IS A CONTROLLED DOCUMENT. | | DWN R.RICHARDSON 23JUN05 | Tyco Electronics Corporation Harrisburg, Pa 17105-3608 | | |
| DIMENSIONS: INCHES | | CHK C.ROHDE 23JUN05 | | | |
| | | APVD M.WALMSLEY 23JUN05 | NAME SCREWLOCK, FEMALE HD SERIES | | |
| TOLERANCES UNLESS OTHERWISE SPECIFIED: | | PRODUCT SPEC | SIZE | | |
| 0 PLC ± - | | APPLICATION SPEC | CAGE CODE | DRAWING NO | RESTRICTED TO |
| 1 PLC ± - | | WEIGHT | A3 | 00779 | C-5207720 |
| 2 PLC ± - | | CUSTOMER DRAWING | SCALE | SHEET | REV |
| 3 PLC ± .005 | | | 4:1 | 1 OF 1 | 0 |
| 4 PLC ± - | | | | | |
| ANGLES ± - | | | | | |
| MATERIAL COLD ROLLED STEEL | | FINISH SEE TABLE | | | |

Mouser Electronics

Authorized Distributor

Click to View Pricing, Inventory, Delivery & Lifecycle Information:

[TE Connectivity:](#)

[5207720-2](#)