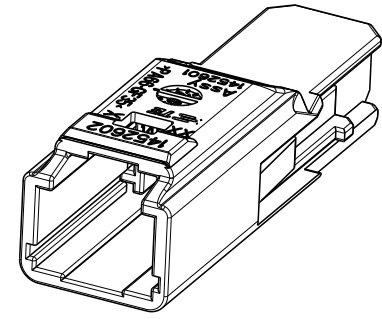
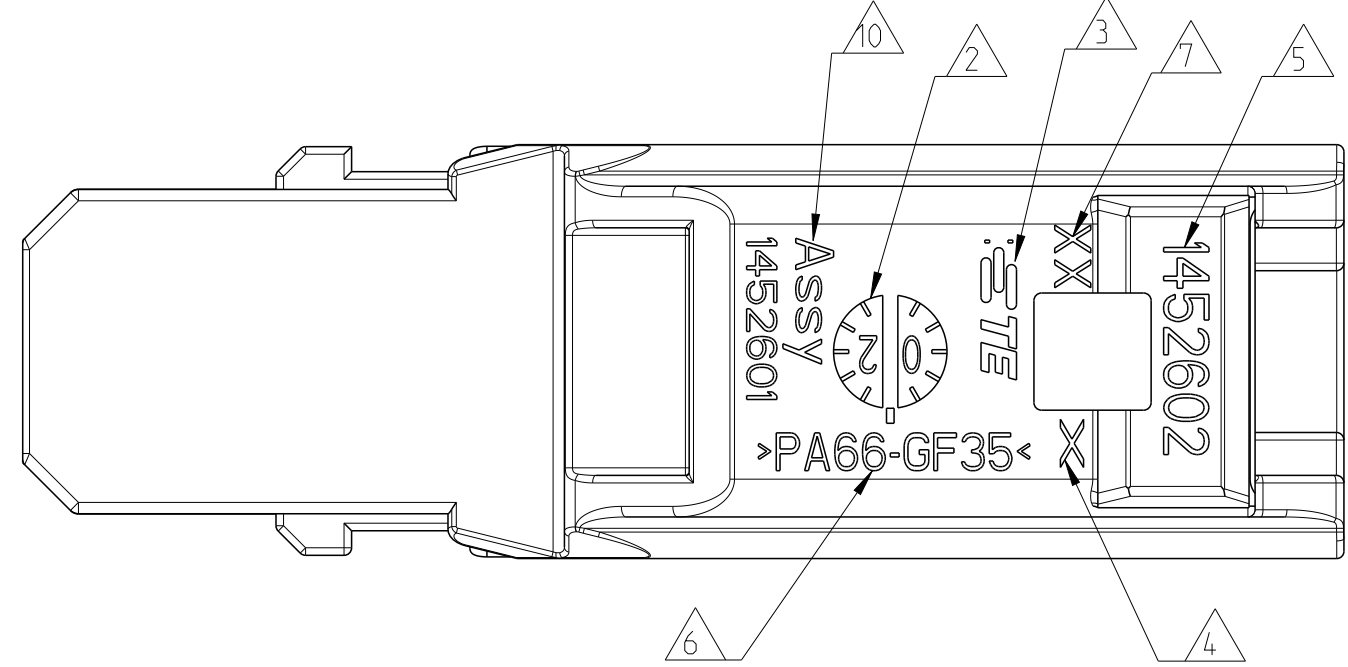
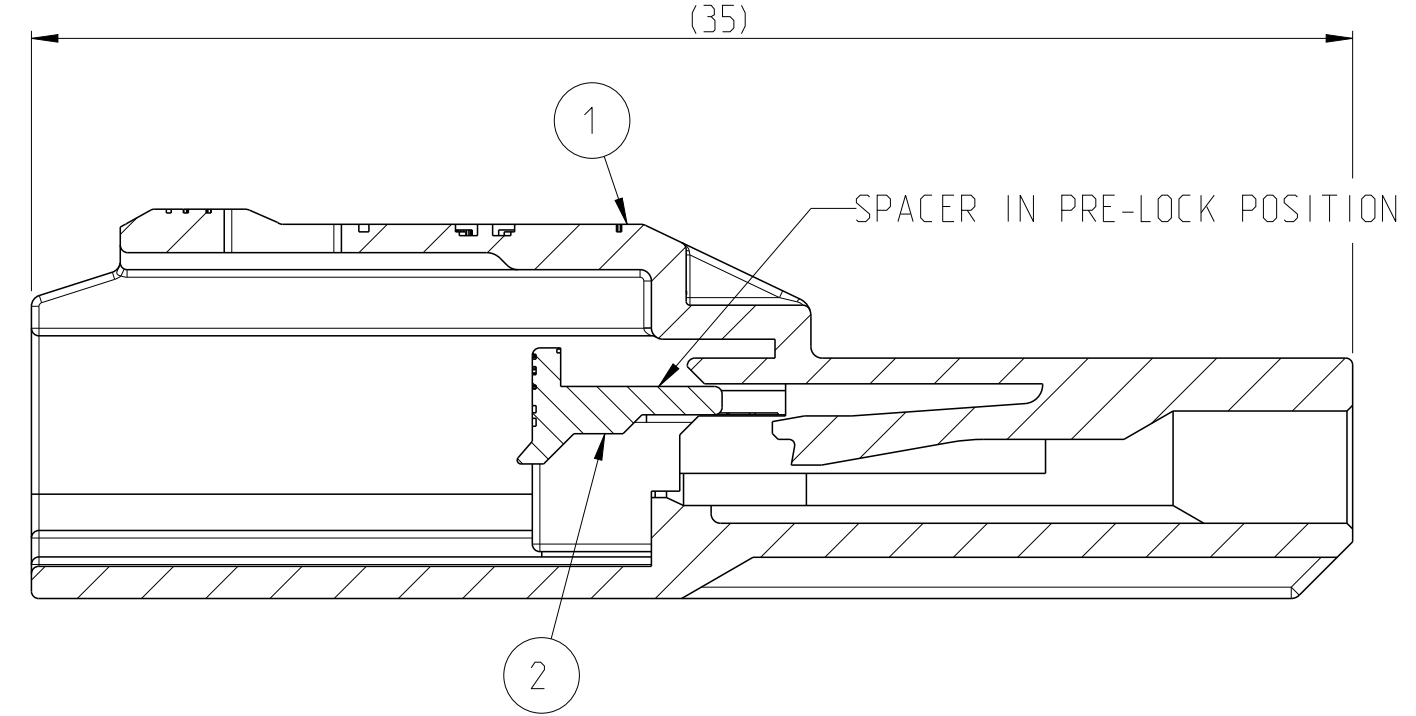
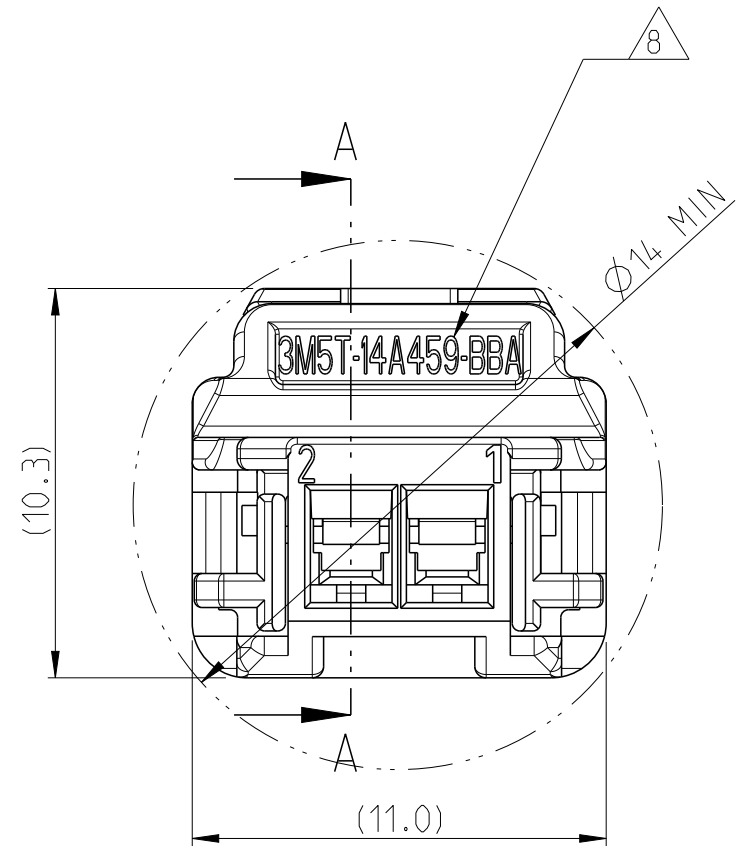
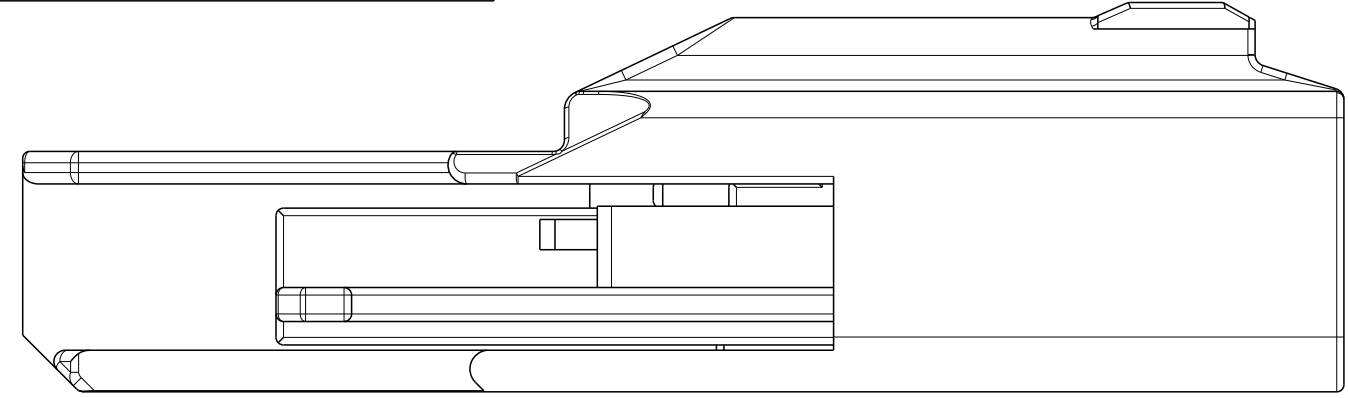


THIS DRAWING IS UNPUBLISHED. RELEASED FOR PUBLICATION 2002  
 © COPYRIGHT 2002 BY - ALL RIGHTS RESERVED.

A-A		REVISIONS			
P	LTR	DESCRIPTION	DATE	DWN	APVD
D		SEE ECR-07-000103	04 JAN 2007	HM	GS
D1		SEE ECR-17-016175	02 NOV 2017	KC	PT



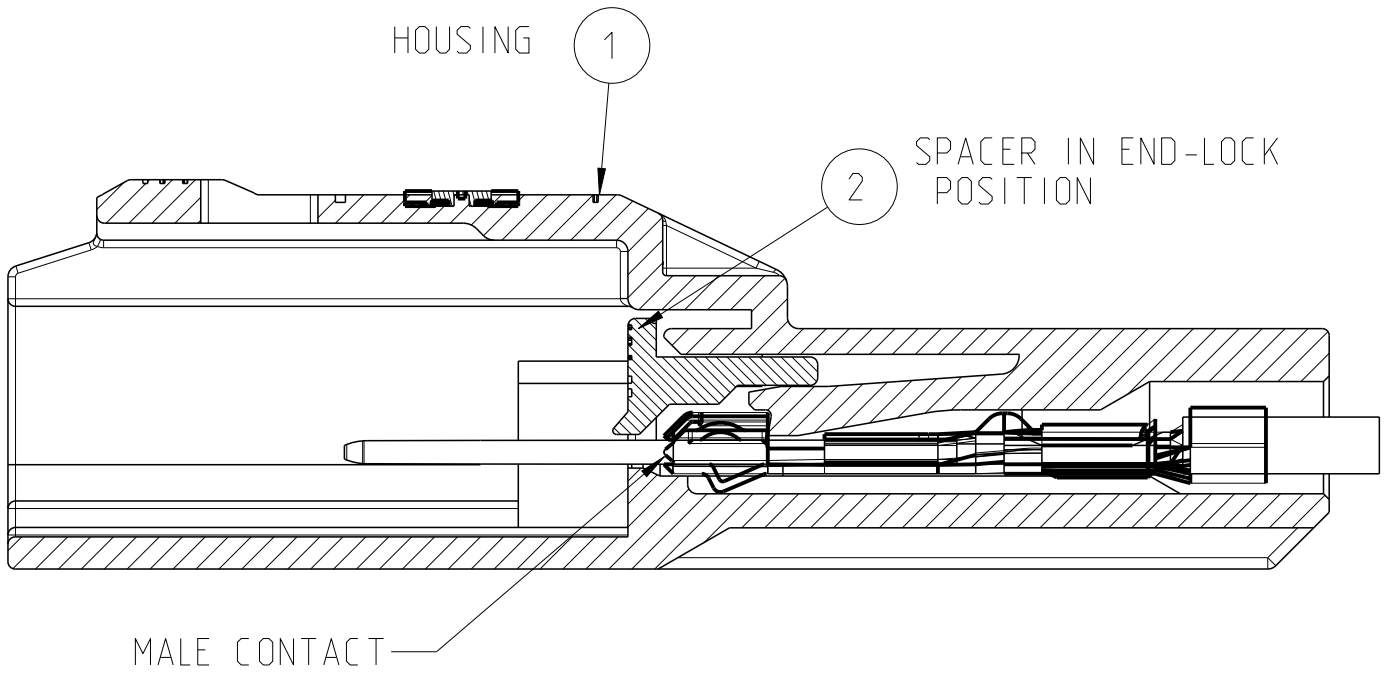
SCALE 2:1



- NOTES:  
Bemerkungen:
- 1 DELIVERY CONDITION: SPACER IN PRE-INSTALLED POSITION  
Lieferbedingungen: Spacer in Vorraststellung
  - 2 PRODUCTION-DATE HOUSING  
Produktionsdatum Gehäuse
  - 3 TYCO-LOGO  
Tyco-Logo
  - 4 CAVITY MARKING  
Nestmarkierung
  - 5 TYCO-PART NUMBER HOUSING  
Tyco-Teile Nummer Gehäuse
  - 6 MATERIAL IDENTIFICATION  
Werkstoffkennzeichnung
  - 7 PRODUCT REVISION LEVEL HOUSING  
Gehäuse-Änderungsindex
  - 8 TYCO-ASSEMBLY NUMBER  
Tyco-Assemblage-Nummer
  - 9 BULK PACKAGE  
Verpackung: Schuetztgut
  - D1 10 TE-ASSY NO:  
TE-Assy Nr.:

THE CONTACT IS NOT A PART OF THE DELIVERY ASSY.

APPLICABLE MALE-CONTACTS tyco-PN
3-1419158-1
1-1419158-6
2-1419158-3
2-1419158-5



0-1452601-1	D	1x	0-1452603-1	SPACER	PBT-GF30	RED	2
		1x	0-1452602-1	MALE HOUSING	PA66-GF35	Black	1
			PART NO	DESCRIPTION	MATERIAL	COLOUR	ITEM NO
ASSY PART NO	ASSY. REV.	REVISION OF EACH ASSY NO (WHEN BLANK, USE DWG REVISION)					
QTY REQD PER ASSY		PARTS LIST					

THIS DRAWING IS A CONTROLLED DOCUMENT. DWN K.ROTH 21JUN2002  
 CHK G.STEINBACH 10JUL2002  
 APVD G.MUMPER 01AUG2002

**STE** TE Connectivity

NAME: 1X2 POS. GET MALE HOUSING ASSEMBLY UNSEALED

SIZE: A2 CAGE CODE: 00779 DRAWING NO: 1452601 RESTRICTED TO: -

MATERIAL: - DIMENSIONS: mm TOLERANCES UNLESS OTHERWISE SPECIFIED: 0 PLC ± 1 PLC ± 2 PLC ± 3 PLC ± 4 PLC ± ANGLES ±° FINISH: -

WEIGHT: -

CUSTOMER DRAWING SCALE: 5:1 SHEET: 1 OF 1 REV: D1

# Mouser Electronics

Authorized Distributor

Click to View Pricing, Inventory, Delivery & Lifecycle Information:

[TE Connectivity:](#)

[1452601-1](#)