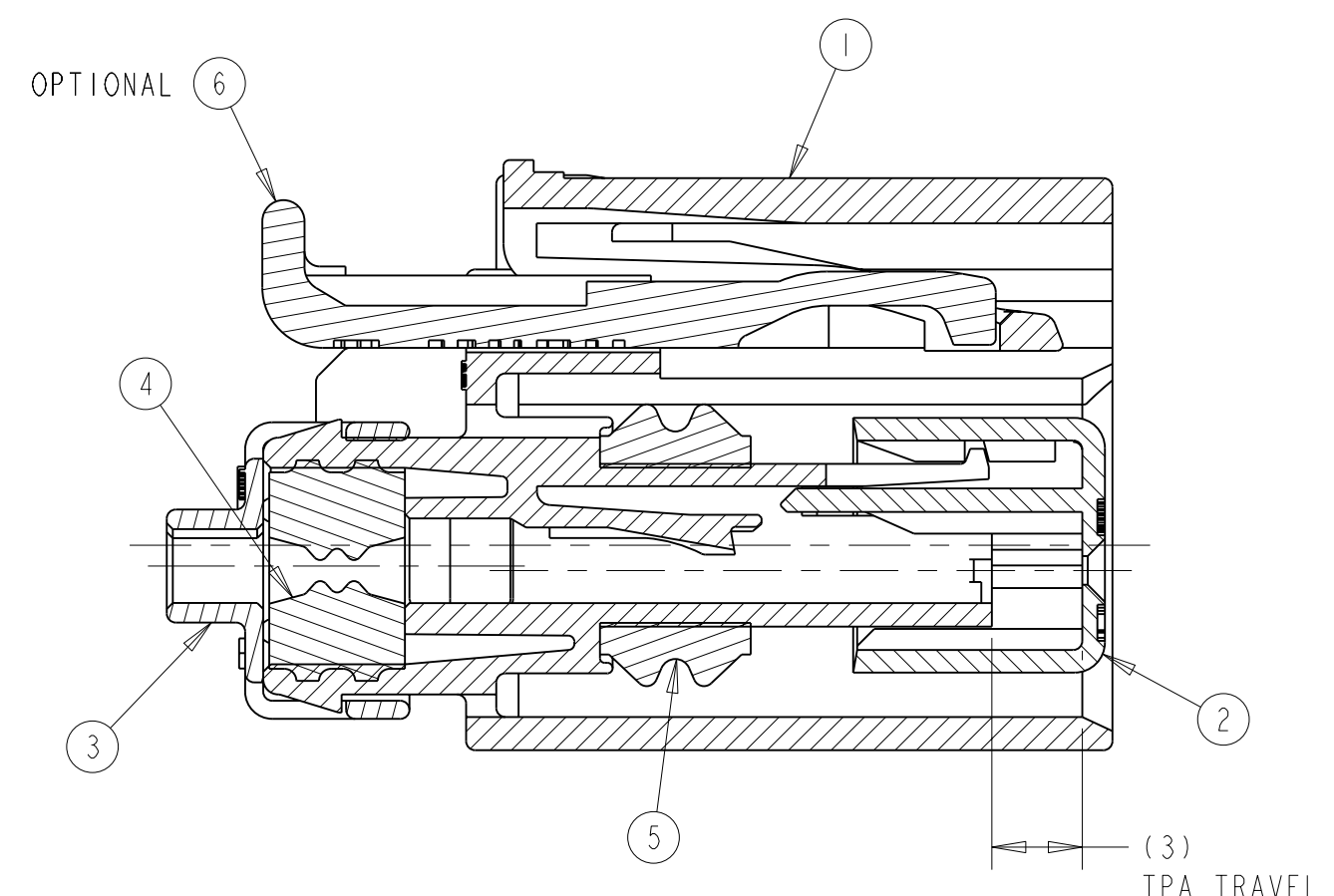
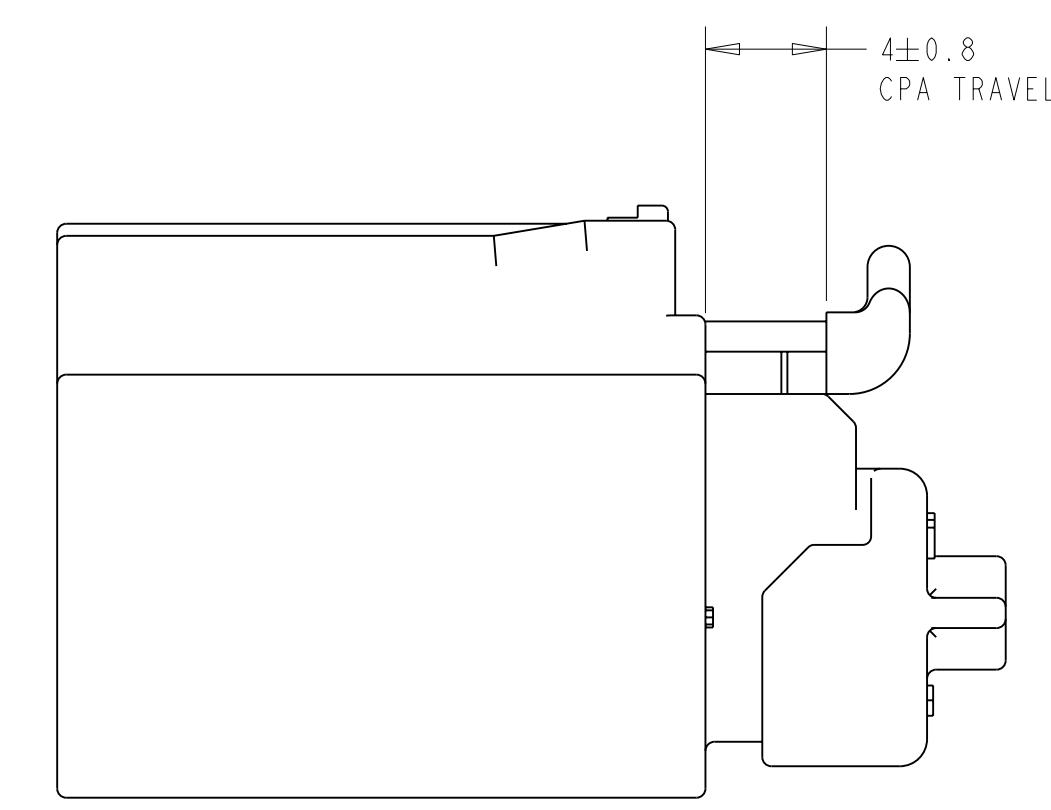
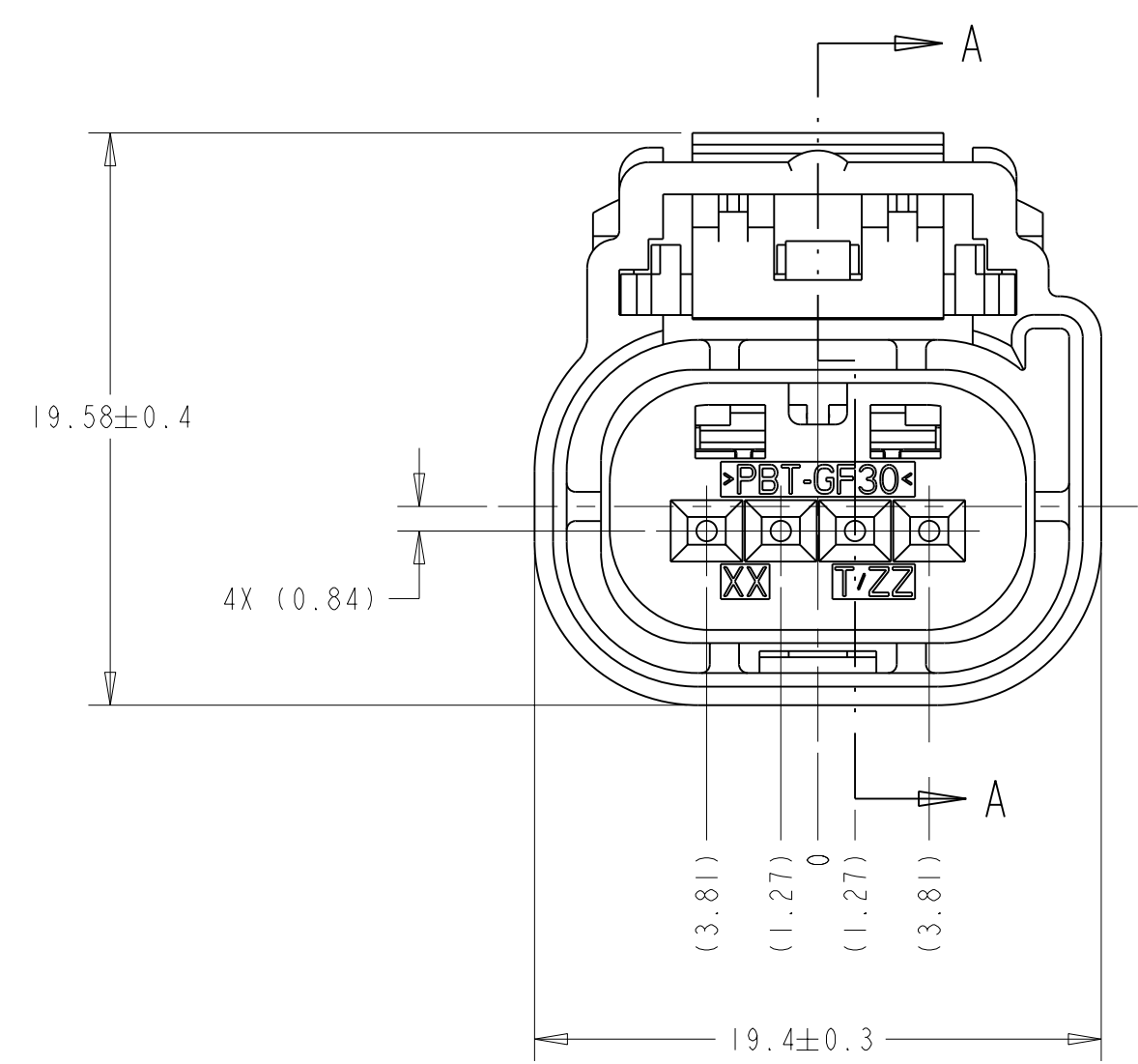


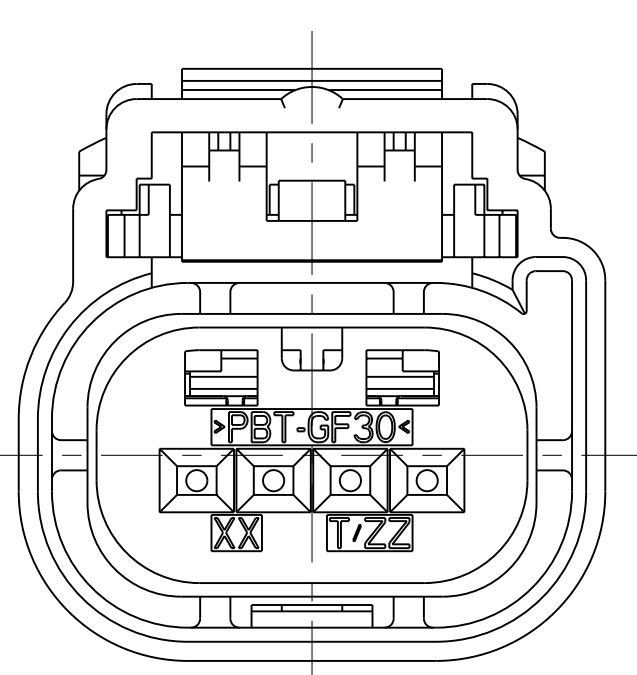
LOC	DIST	REV	DESCRIPTION	DATE	DWN	APVD
FX	00					
D3			Dimensions updated, ECR-07-009742	25APR2007	HM	GM
E			SEE ECR-11-009284 AND ECR-11-009557	09MAY2011	JM	GS



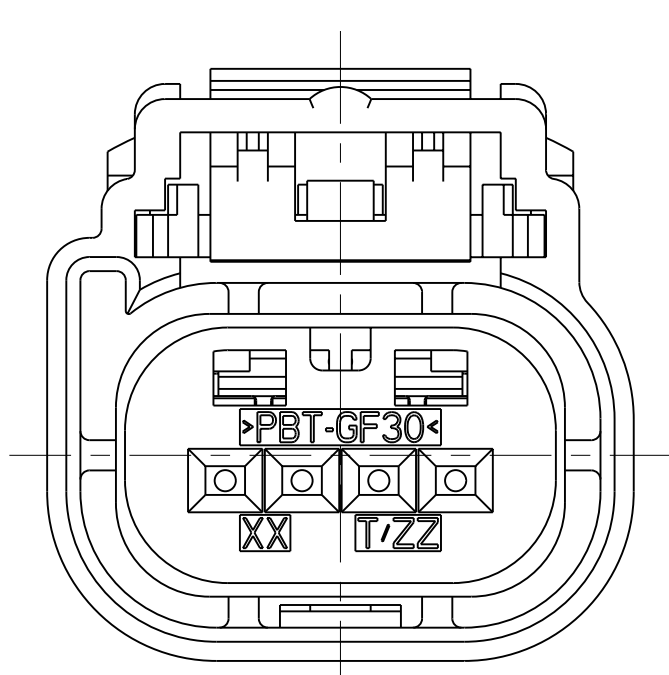
SECTION A-A
SHOWN WITH TPA
AND CPA (OPTIONAL) IN
THEIR PRE-LOADED POSITIONS



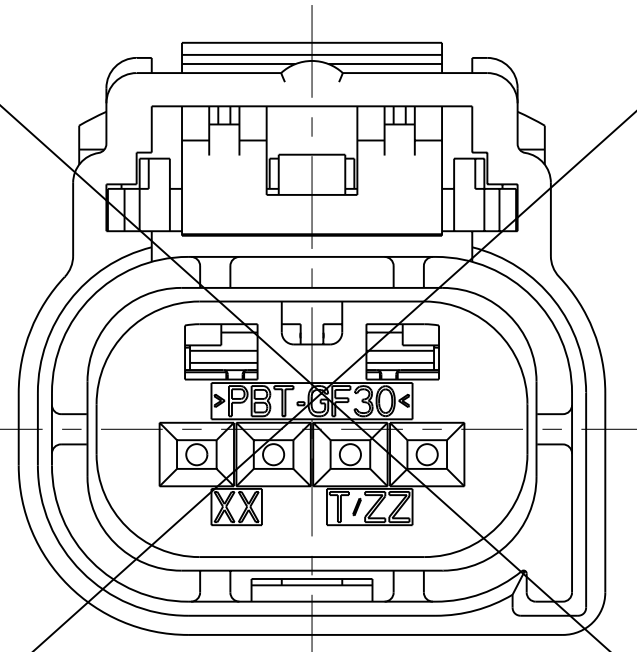
PIN-OUT CHART			
3	4	1438188-1	1719256-2
		9-1419167-9	
2		9-1419167-5	1719256-3
		1719256-1	9-1419167-8
		1419168-1	0-1419168-2
		9-1419167-0	9-1419167-1
		9-1419167-2	9-1419167-3
1	2	3	4
TERMINAL HOLE POSITION		ASSEMBLY PART NUMBER	
CAVITIES WITH A NUMERIC SYMBOL INDICATE CLOSED TERMINAL HOLE POSITIONS			
BLANK CAVITIES INDICATE OPEN TERMINAL HOLE POSITIONS			



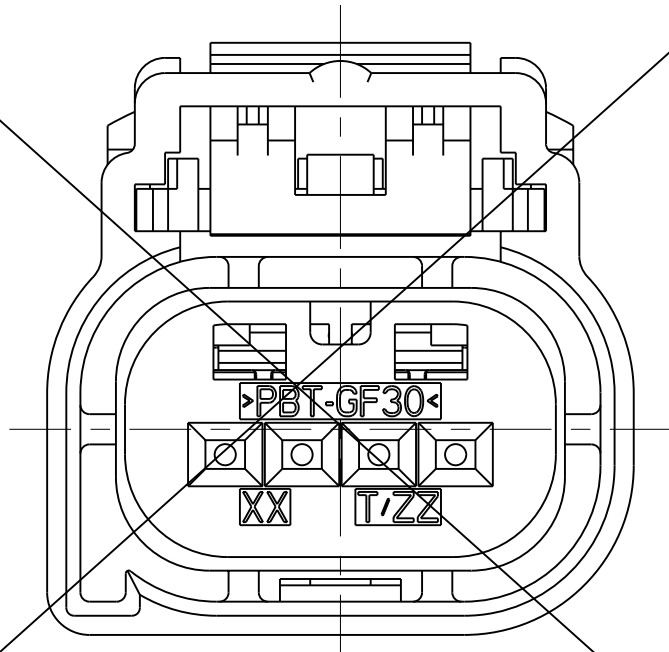
KEYING OPTION "A"



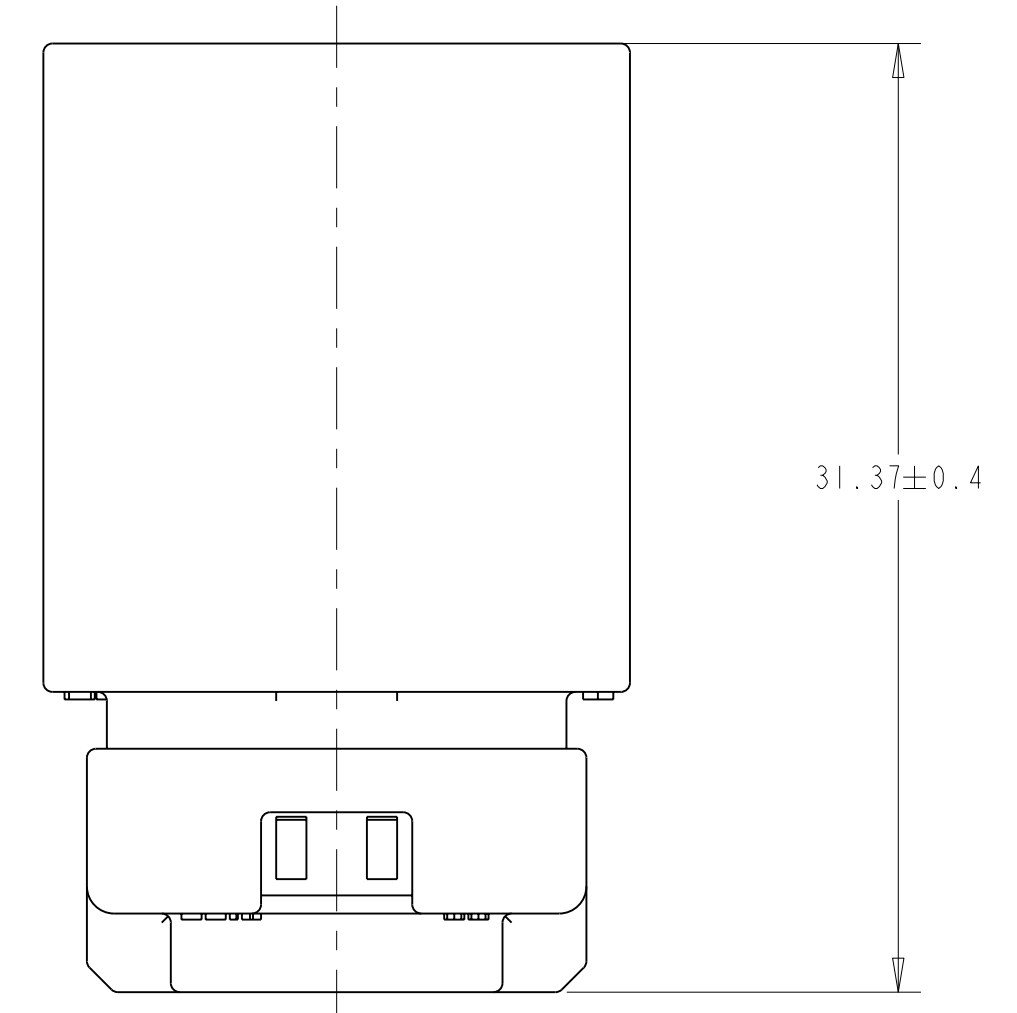
KEYING OPTION "B"



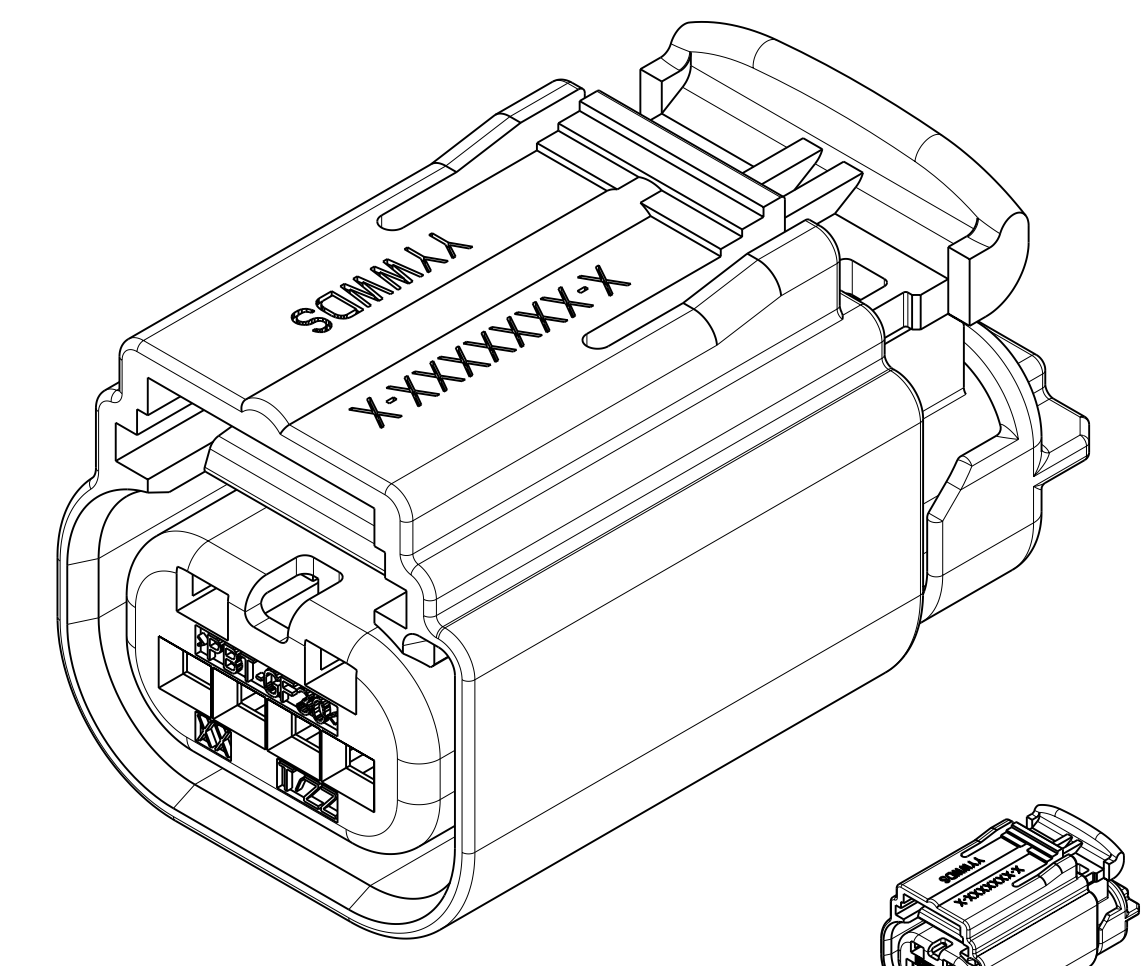
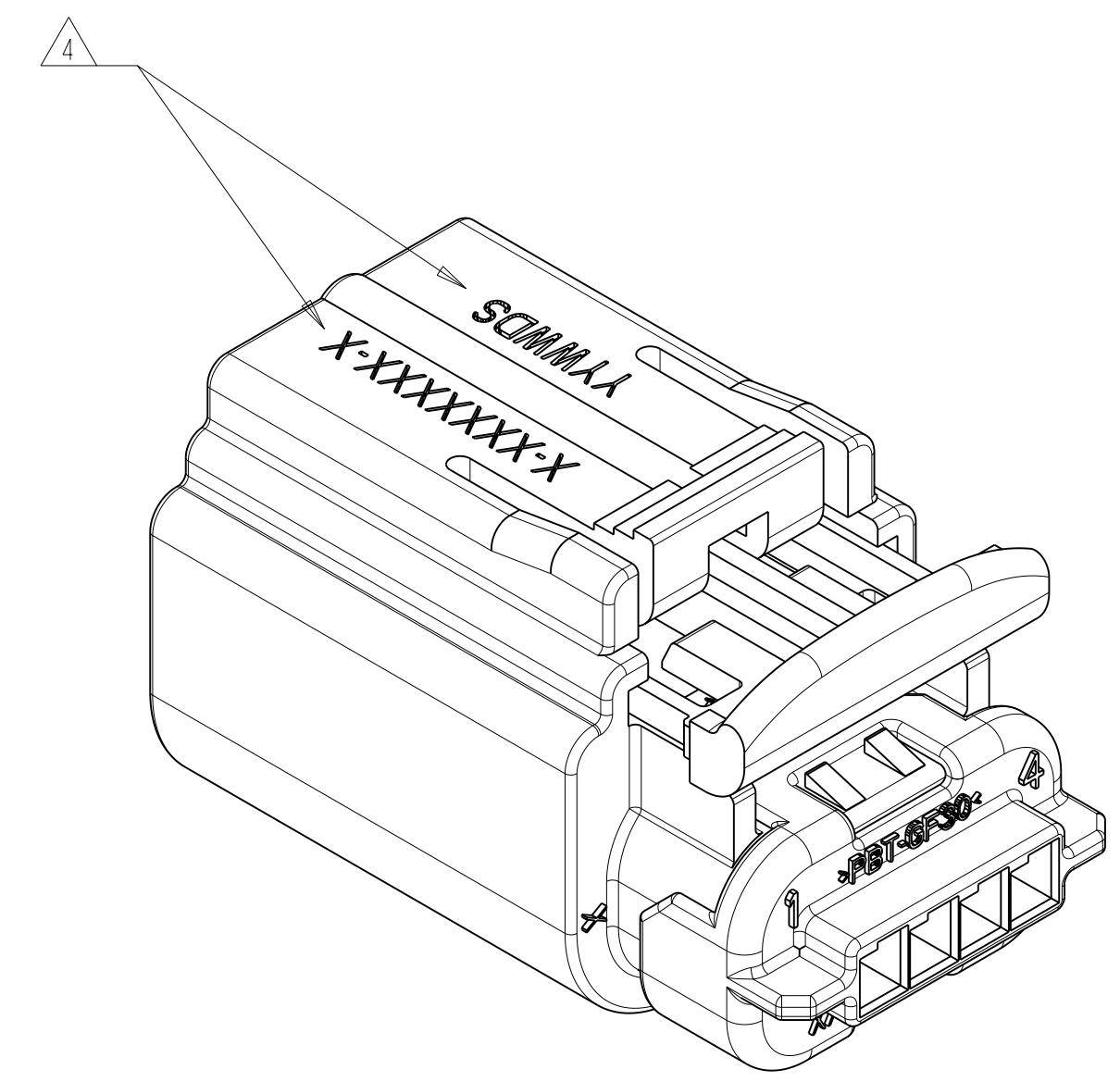
KEYING OPTION "C"



KEYING OPTION "D"



31.37±0.4



SCALE 1:1

KEYING OPTION "A" SHOWN
SEE NOTE 5 FOR APPLICABLE
HEADER INTERFACE INFORMATION

1. APPLICABLE TERMINAL PART NUMBERS (SOLD SEPARATELY):
FOR TIN APPLICATIONS: 1393367 AND 1393366.
FOR GOLD APPLICATIONS: 1393365 AND 1393364.
FOR TERMINATION AND REELING OPTIONS
SEE DRAWINGS 1393367, 1393366, 1393365, AND 1393364.

2. COMPATIBLE WIRE SIZES FOR MAT SEAL DESIGN 1.19 TO 2.06 O.D.
(22-18 AWG, 0.35-0.75 mm²)

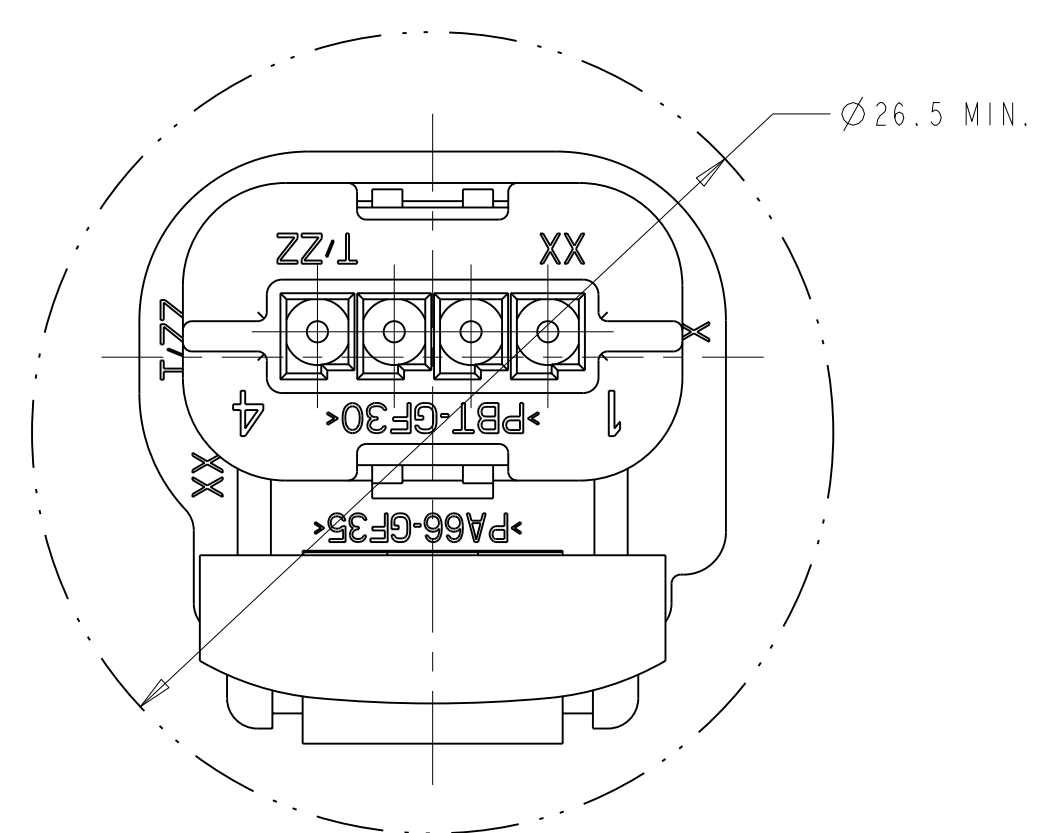
3. TPA AND CPA (OPTIONAL) ARE SHIPPED IN THEIR PRE-LOADED POSITIONS. ALL ASSEMBLIES ARE TO BE BULK PACKAGED.

4. TE ASSEMBLY PART NUMBER (X-XXXXXX-X) AND TRACEABILITY CODE (YY = TWO DIGIT YEAR, WW = TWO DIGIT WEEK, D = ONE DIGIT DAY OF THE WEEK, S = ONE DIGIT SHIFT NUMBER) ARE PRINTED IN THIS LOCATION.

5. APPLICABLE HEADER INTERFACE DRAWING 1438198 IS AVAILABLE UPON REQUEST. A COPY OF THIS DRAWING CAN BE OBTAINED FROM THE TE PRODUCT MANAGER, VIA YOUR TE SALES REPRESENTATIVE OR CUSTOMER SERVICE.

6. PART ASSEMBLY WEIGHT WITHOUT TERMINALS:
WITHOUT CPA: 5,70 GRAMS
WITH CPA: 6,10 GRAMS

7. THESE PART NUMBERS ARE NOT RELEASED FOR PRODUCTION. PLEASE CONTACT YOUR TE SALES REPRESENTATIVE FOR AVAILABILITY AND PRICING.



MINIMUM FEED THROUGH CONDITION
WITH 1mm CLEARANCE ALL AROUND

QUANTITY		ITEM	DESCRIPTION	MATERIAL	COLOR/FINISH
		6	CPA	PBT-GF15	RED
		5	PERIMETER SEAL	SILICONE	WHITE BLUE
		4	GROMMET	SILICONE	BROWN
		3	COVER	PBT-GF30	BLUE (E)
		2	TPA	PBT-GF30	BLUE (E)
		1	PLUG WITH KEYING OPTION "D"	PA66-GF35	GREY
		1	PLUG WITH KEYING OPTION "C"	PA66-GF35	GREY
		1	PLUG WITH KEYING OPTION "B"	PA66-GF35	GREY
		1	PLUG WITH KEYING OPTION "A"	PA66-GF35	GREY

THIS DRAWING IS A CONTROLLED DOCUMENT.

DATE: 16 JAN 2002
DWN: M. FORISKA
CHK: M. FORISKA
APVD: A. SHUMAN
PRODUCT SPEC: 19 FEB 2002
APPLICATION SPEC: 19 FEB 2002

STE TE Connectivity

1 X 4 SEALED FEMALE PLUG ASSEMBLY CUSTOMER SPEC. (EUROPE)

SIZE: A1 CAGE CODE: 00779 DRAWING NO: 9-1419167-0
WEIGHT: SEE NOTE 8
CUSTOMER DRAWING

SCALE: 4:1 SHEET 1 OF 1 REV E

Mouser Electronics

Authorized Distributor

Click to View Pricing, Inventory, Delivery & Lifecycle Information:

[TE Connectivity:](#)

[9-1419167-5](#)