

INTERCONNECTS

SERIES 350, 450, 801, 803 • .100" GRID (.025" DIA. PINS), LOW PROFILE HEADERS & VERSATILE SOCKETS • SINGLE & DOUBLE ROW STRIPS

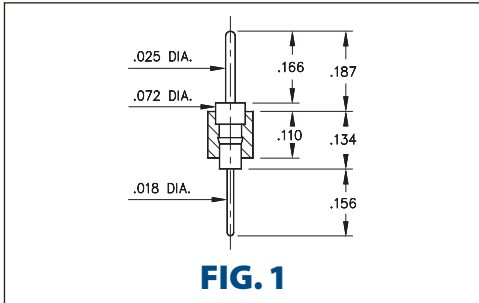


FIG. 1

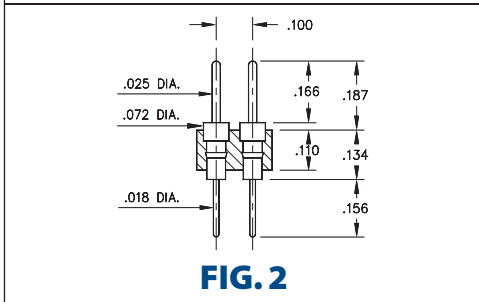


FIG. 2

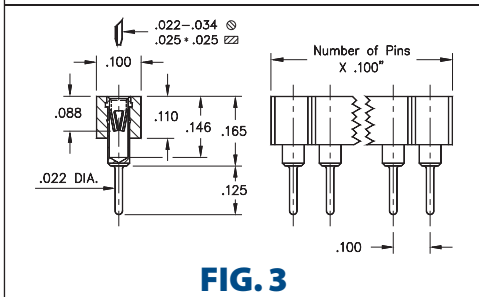


FIG. 3

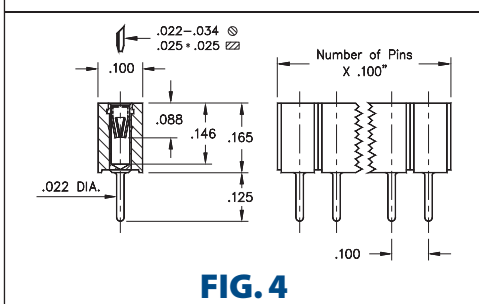


FIG. 4

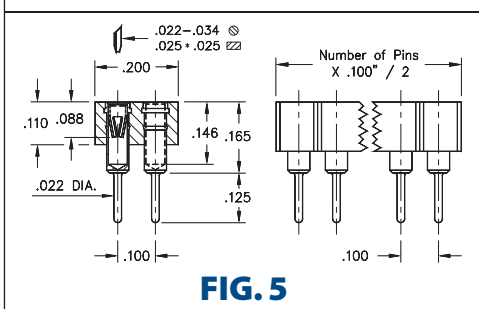
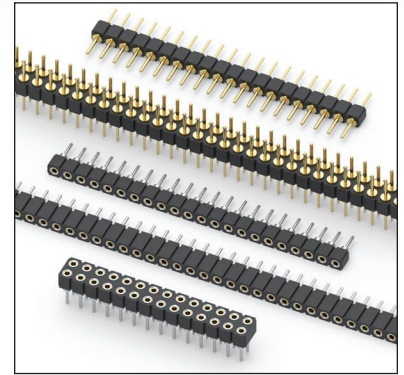


FIG. 5

- Series 350 and 450 single and double row pin headers use MM #0290 pins. See page 215 for details
- Series 801 and 803 single and double row low profile sockets use MM #1303 receptacles. See page 180 for details
- Series 801 and 803 receptacles use Hi-Rel, 6-finger BeCu #16 contact rated at 4.5 amps. Receptacles accept .025" diameter and .025" square pins. See page 256 for details
- Insulators are high temperature thermoplastic, suitable for all soldering operations



ORDERING INFORMATION

FIG. 1	Series 350...001 Single Row .025" Pin / .018" Solder Tail																					
	350-XX-1__-00-001000 Specify number of pins 01-64																					
FIG. 2	Series 450...001 Double Row .025" Pin / .018" Solder Tail																					
	450-XX-2__-00-001000 Specify number of pins 04-64																					
XX=Plating Code See Below For Electrical, Mechanical & Environmental Data, See page 264																						
<table border="1" style="width: 100%; text-align: center;"> <tr> <td>SPECIFY PLATING CODE XX=</td> <td>10 </td> <td>90</td> <td>40 </td> <td></td> </tr> <tr> <td>Pin Plating </td> <td>10 μ" Au</td> <td>200 μ" Sn/Pb</td> <td>200 μ" Sn</td> <td></td> </tr> </table>		SPECIFY PLATING CODE XX=	10	90	40		Pin Plating	10 μ" Au	200 μ" Sn/Pb	200 μ" Sn												
SPECIFY PLATING CODE XX=	10	90	40																			
Pin Plating	10 μ" Au	200 μ" Sn/Pb	200 μ" Sn																			
FIG. 3	Series 801...003 Low Profile Socket (short insulator)																					
	801-XX-0__-10-003000 Specify number of pins 01-64																					
FIG. 4	Series 801...013 Low Profile Socket (long insulator)																					
	801-XX-0__-10-013000 Specify number of pins 01-36																					
FIG. 5	Series 803...003 Double Row Low Profile Socket																					
	803-XX-0__-10-003000 Specify number of pins 04-72																					
XX=Plating Code See Below For Electrical, Mechanical & Environmental Data, See page 264																						
<table border="1" style="width: 100%; text-align: center;"> <tr> <td>SPECIFY PLATING CODE XX=</td> <td></td> <td></td> <td></td> <td>41 </td> <td>43 </td> <td></td> </tr> <tr> <td>Sleeve (Pin) </td> <td></td> <td></td> <td></td> <td>200 μ" Sn</td> <td>200 μ" Sn</td> <td></td> </tr> <tr> <td>Contact (Clip) </td> <td></td> <td></td> <td></td> <td>10 μ" Au</td> <td>30 μ" Au</td> <td></td> </tr> </table>		SPECIFY PLATING CODE XX=				41	43		Sleeve (Pin)				200 μ" Sn	200 μ" Sn		Contact (Clip)				10 μ" Au	30 μ" Au	
SPECIFY PLATING CODE XX=				41	43																	
Sleeve (Pin)				200 μ" Sn	200 μ" Sn																	
Contact (Clip)				10 μ" Au	30 μ" Au																	



Mouser Electronics

Authorized Distributor

Click to View Pricing, Inventory, Delivery & Lifecycle Information:

[Mill-Max:](#)

[801-43-005-10-003000](#) [801-43-036-10-013000](#) [801-43-064-10-003000](#) [803-43-072-10-003000](#) [801-43-006-10-003000](#)