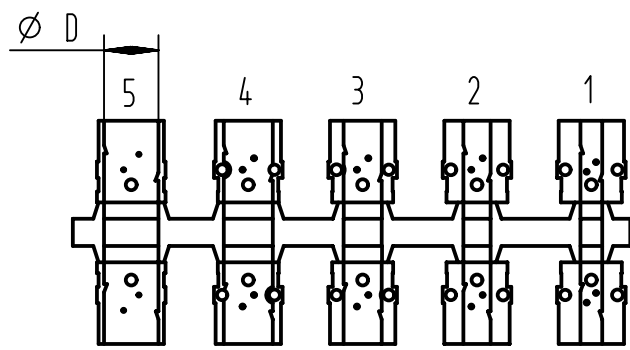
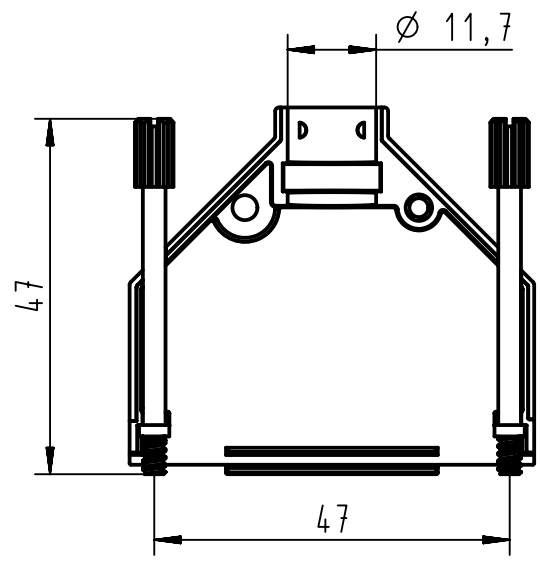
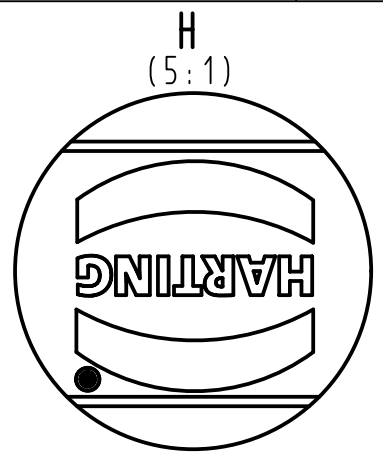
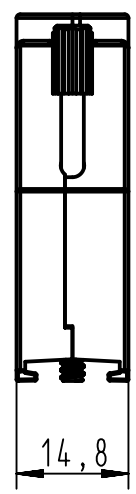
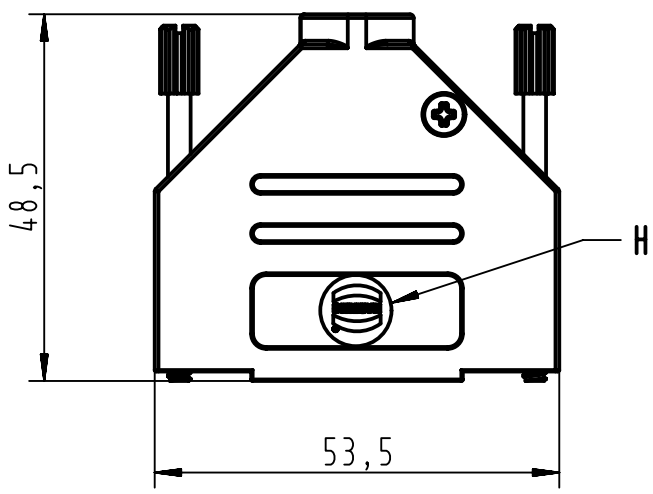



1 2 3 4 5 6

A  
B  
C  
D



Grommet dimensions	
Number	Diameter D
1	4.0
2	5.0
3	7.0
4	9.0
5	10.2

	All Dimensions in mm Original Size DIN A4	Scale 1:1	Free size tol.	Ref. Sub.	
	All rights reserved Department EC PD - FR	Created by DOUGE	Inspected by BAGDIKIAN	Standardisation HOFFMANN	Date 2012-10-19
HARTING Electronics GmbH D-32339 Espelkamp	Title D-Sub Hood 25P top entry full metal			Doc-Key / ECM-Nr. 100517878/UGD/001/A 500000055736	
Part number 09670250343	Screw thread 4-40UNC	Type TB	Number 09670250343	Rev. A	Page 1/1

# Mouser Electronics

Authorized Distributor

Click to View Pricing, Inventory, Delivery & Lifecycle Information:

[HARTING:](#)

[09670250343](#)