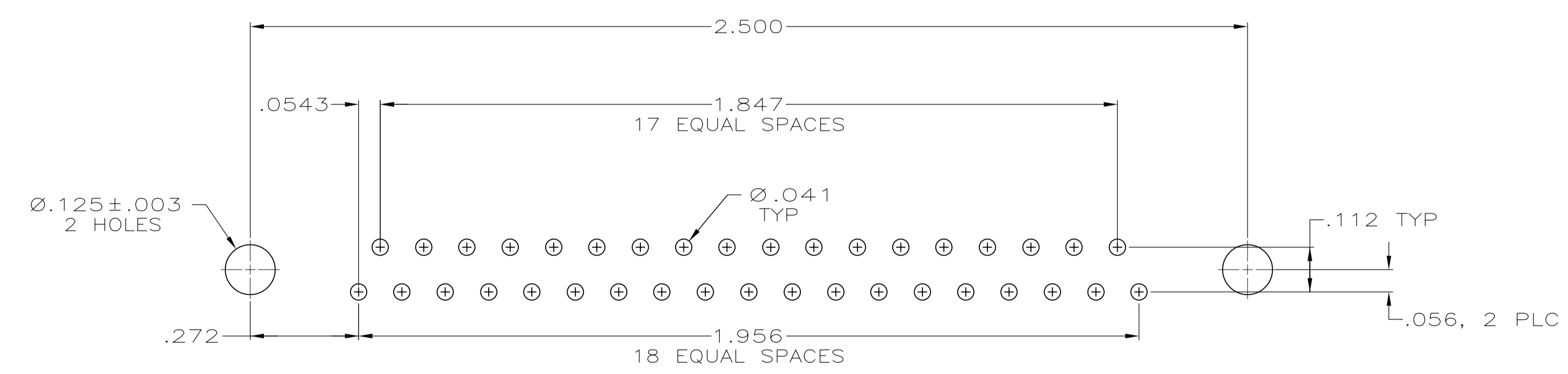
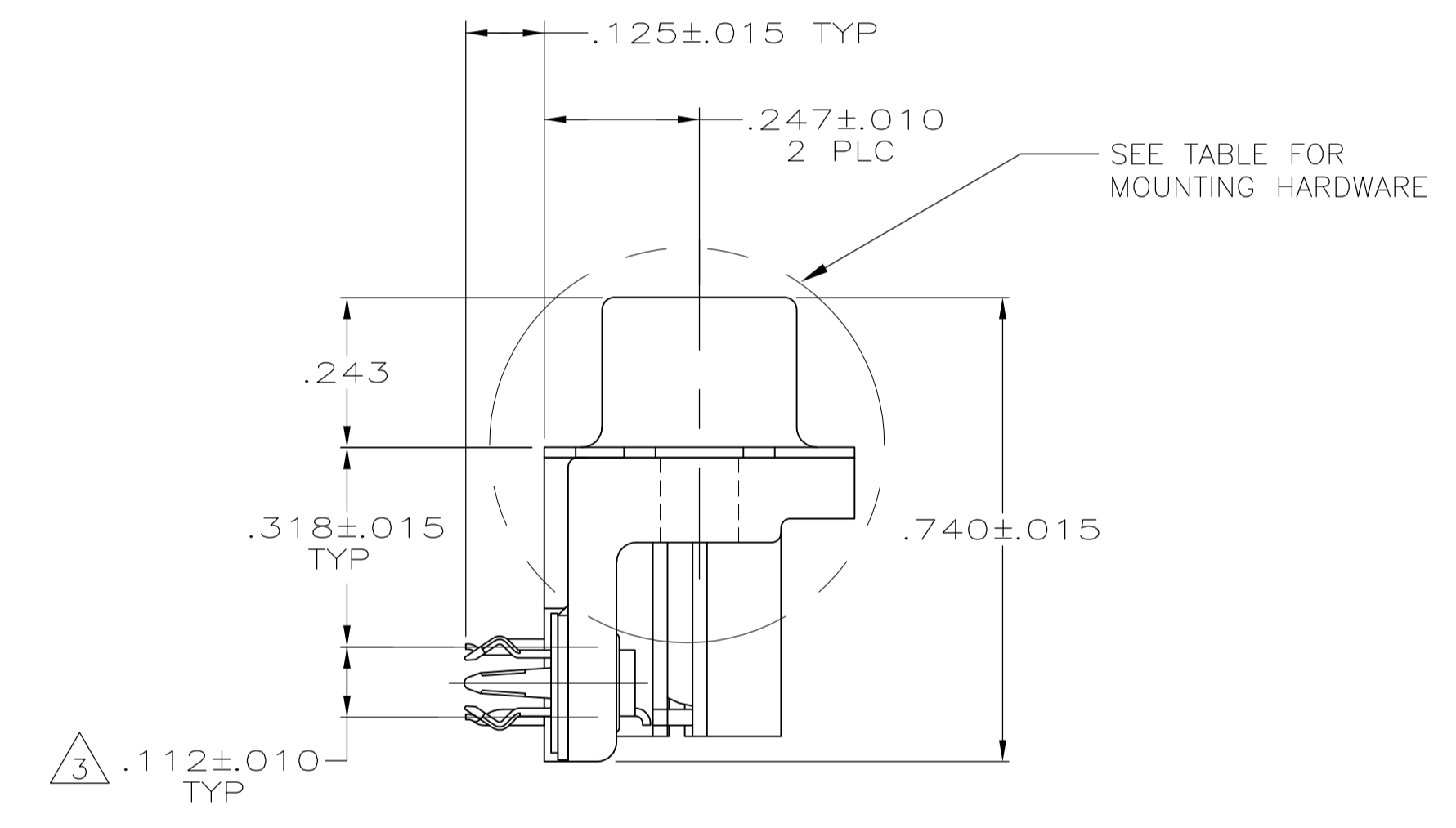
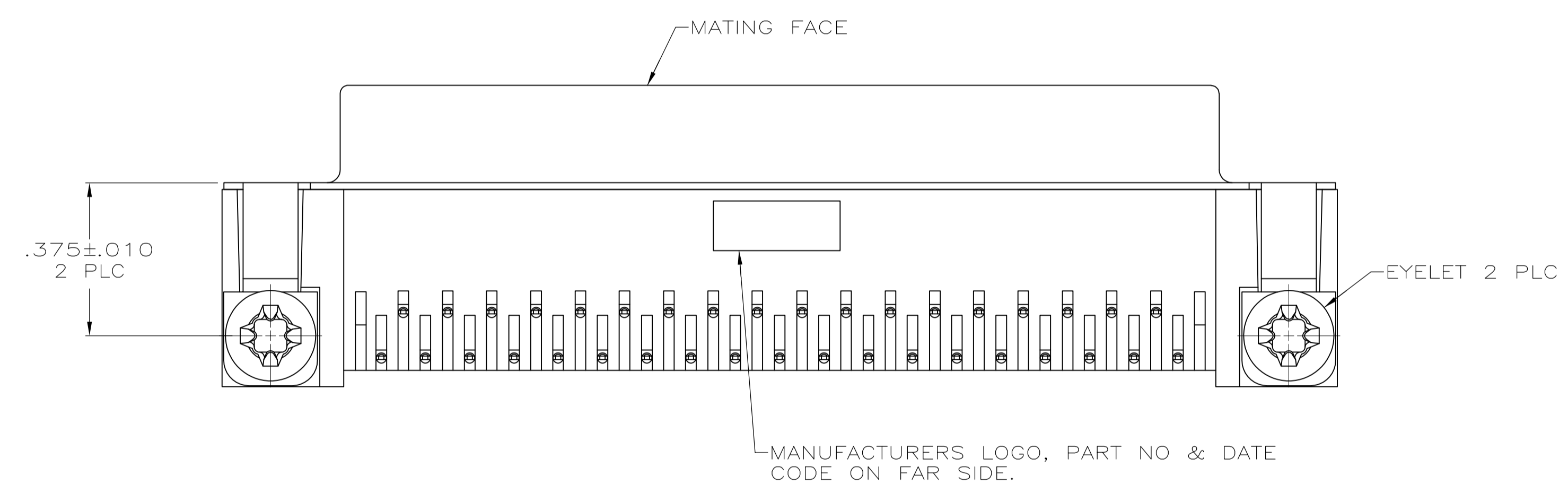
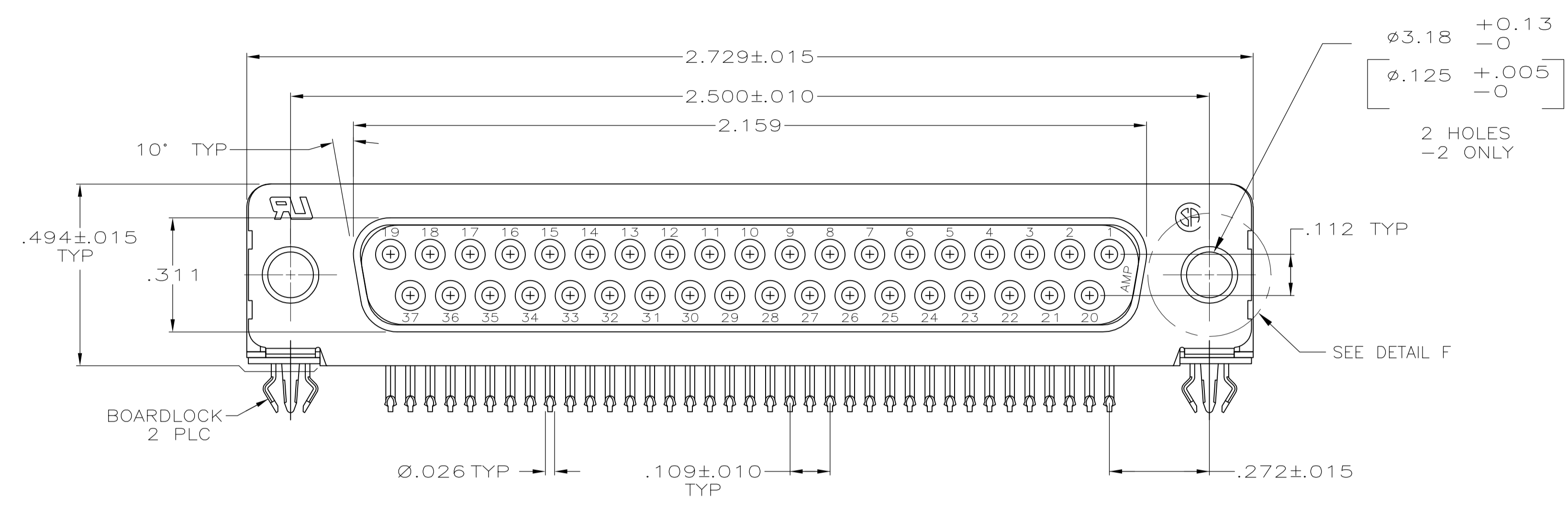
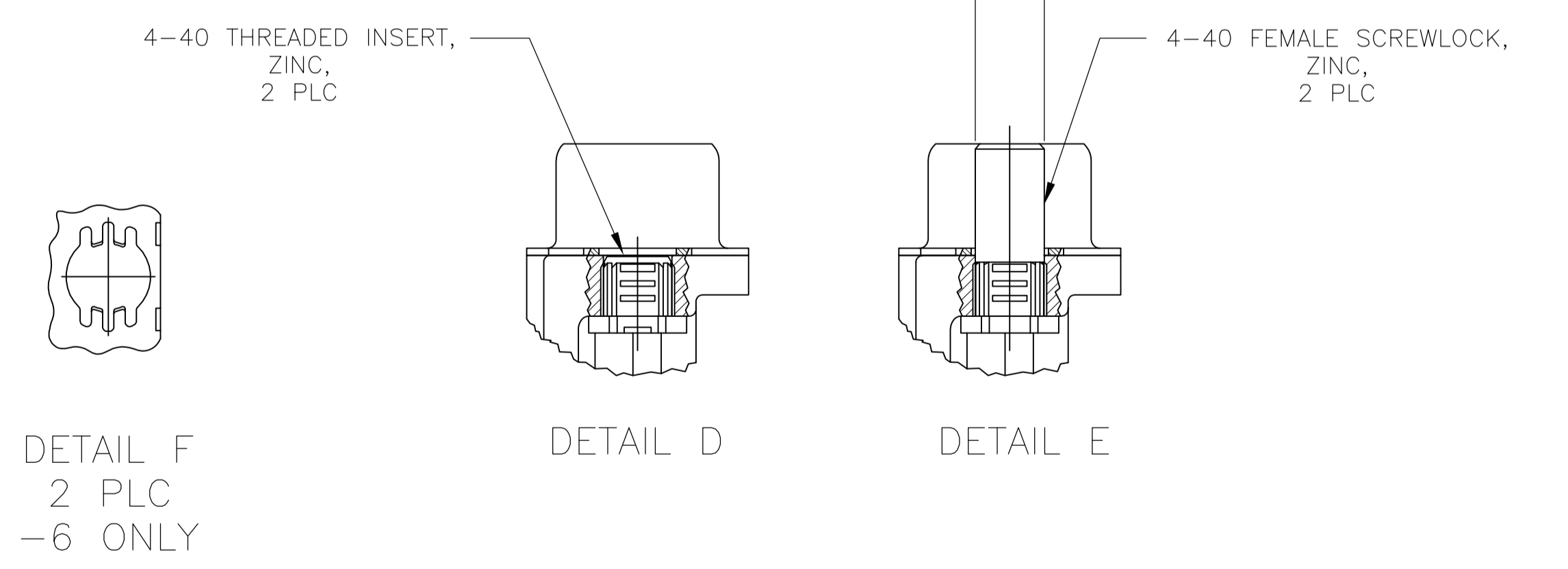


| LOC | | DIST | | REVISIONS | | | |
|-----|---------------------------|------|---------|-----------|-----|------|--|
| GP | 00 | REV | DATE | BY | CHK | APPV | |
| A1 | REVISED PER ECO-11-004835 | | 11MAR11 | RK | HMR | | |



RECOMMENDED P.C. BOARD MOUNTING DIMENSIONS

- 1 MOLDED PARTS: FLAME RETARDANT 94V-0 RATED THERMOPLASTIC, BLACK.
SHELL: CARBON STEEL
CONTACTS: PHOSPHOR BRONZE
EYELETS: BRASS
INSERTS AND SCREWLOCKS: ZINC
BOARDLOCKS: COPPER ALLOY
- 2 SHELL: .000100 MIN TIN OVER .000050 MIN COPPER.
CONTACTS: .000030 MIN GOLD FOR DISTANCE OF .100 MIN FROM MATING END, .000100 MIN TIN ON TERMINATION END, ALL OVER .000050 MIN NICKEL ON ENTIRE CONTACT.
EYELETS: .000100 MIN TIN OVER COPPER FLASH.
BOARDLOCKS: .000150 MIN TIN OVER .000050 MIN NICKEL.
INSERTS AND SCREWLOCKS: CLEAR CHROMATE
- 3 DIMENSION APPLIES FROM CENTER OF CONTACTS.



| | |
|-------------------|-------------|
| SEE DETAIL E | 5747847-6 |
| SEE DETAIL D | 5747847-4 |
| NONE | 5747847-2 |
| MOUNTING HARDWARE | PART NUMBER |

THIS DRAWING IS A CONTROLLED DOCUMENT.

| | | | | | |
|--------------------|--|--|------------------------|---------------------------|-------------------------------|
| DIMENSIONS: INCHES | TOLERANCES UNLESS OTHERWISE SPECIFIED: | DIN L. VARELA - DOCKS 04-06-05 | CHK S. BOLASH 04-06-05 | APVD M. WALMSLEY 04-06-05 | NAME |
| 0 PLC ± - | 1 PLC ± - | RECEPTACLE ASSEMBLY, SIZE 4, 37 POSITION, RIGHT ANGLE, FRONT METAL SHELL, .318 SERIES, .026 DIA POSTS, BOARDLOCKS, AMPLIMITE HD-20 | | | PRODUCT SPEC |
| 2 PLC ± - | 3 PLC ± -.005 | 108-40025 | | | APPLICATION SPEC |
| 4 PLC ± - | ANGLES ± ° | SIZE | CAGE CODE | DRAWING NO | RESTRICTED TO |
| MATERIAL | FINISH | 114-40010 | A1 | 00779 | 5747847 |
| 1 | 2 | WEIGHT | CUSTOMER DRAWING | | SCALE 4:1 SHEET 1 OF 1 REV A1 |

Mouser Electronics

Authorized Distributor

Click to View Pricing, Inventory, Delivery & Lifecycle Information:

[TE Connectivity:](#)

[5747847-6](#)