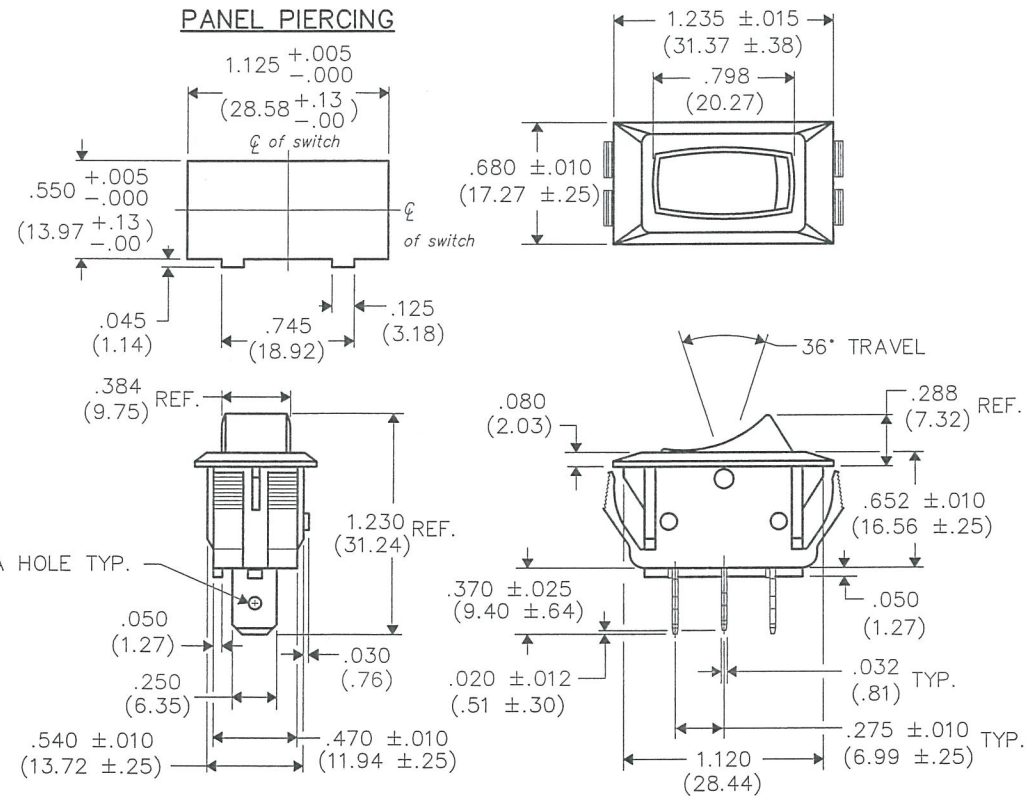


F  
 D  
 C  
 B  
 A

THIS INFORMATION IS CONFIDENTIAL AND PROPRIETARY TO CW INDUSTRIES INCORPORATED AND ITS AFFILIATES. IT MAY NOT BE DISCLOSED TO ANYONE OTHER THAN CW INDUSTRIES PERSONNEL, WITHOUT WRITTEN AUTHORIZATION FROM CW INDUSTRIES INCORPORATED, SOUTHAMPTON, PENNSYLVANIA USA.

DIMENSIONS IN INCHES (MILLIMETERS)  
 DO NOT SCALE DRAWING .....

Dwg. No.  
**GRS-2012-2021**



SWITCH COLOR - White

**SWITCH RATINGS:**  
**UL & CSA**  
 16A. 125VAC 12A. 250VAC  
 3/4 H.P. 125-250 VAC 10A. 14V (T)  
**VDE**  
 12(6)A. 250V ~ T85°

1 2 3 4 5 6 7 8 9 10

FORM-B4

**REVISIONS**

0  
 RELEASED.  
 DGW 7-01-13  
**JUL 19 2013**

**CW INDUSTRIES**  
 Southampton, Pa. 18966  
 TOLERANCES UNLESS OTHERWISE SPECIFIED  
 2 Place Decimal  $\pm$ .010 METRIC  
 3 Place Decimal  $\pm$ .005 1 Place Dec.  $\pm$ .25mm  
 Angles .....  $\pm$ 1' 2 Place Dec.  $\pm$ .13mm

Made for: CW IND.  
 Drawn by: DGW 7-01-13  
 Checked by: *G. Gold 7-8-13*  
 Approval: *G. Gold 7-8-13*

Title: **ROCKER ASSEMBLY**  
**S.P.D.T., POLARIZED**  
**W/RADIUS ON CLAW**  
**1.125" x .550" PANEL**

Division: **SWITCH**  
 Dwg. No. **GRS-2012-2021**

**MASTER**

# Mouser Electronics

Authorized Distributor

Click to View Pricing, Inventory, Delivery & Lifecycle Information:

[CW Industries:](#)

[GRS-2012-2021](#)