

4

3

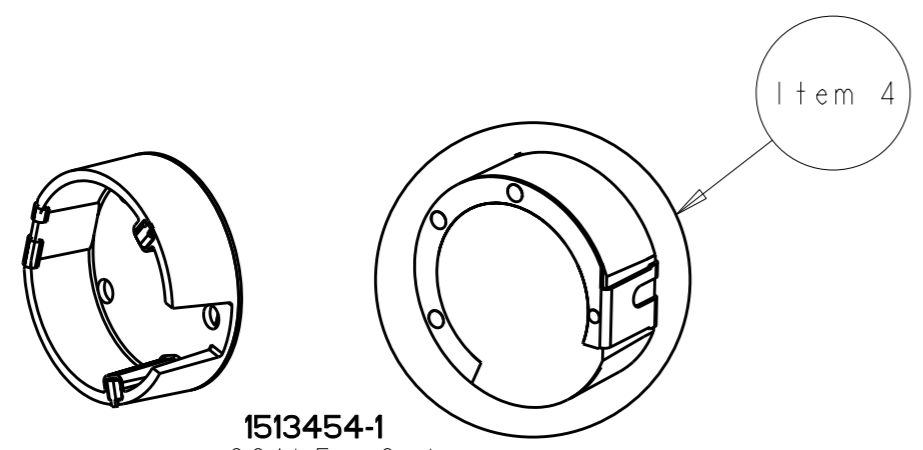
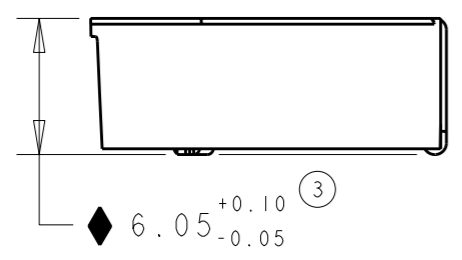
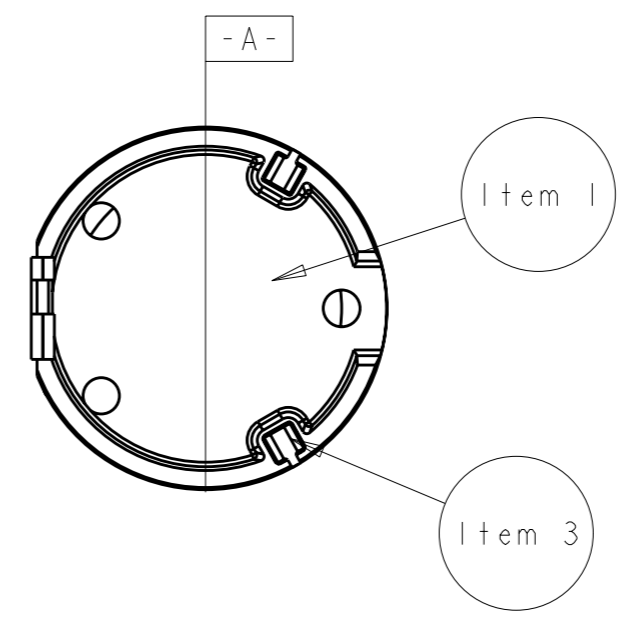
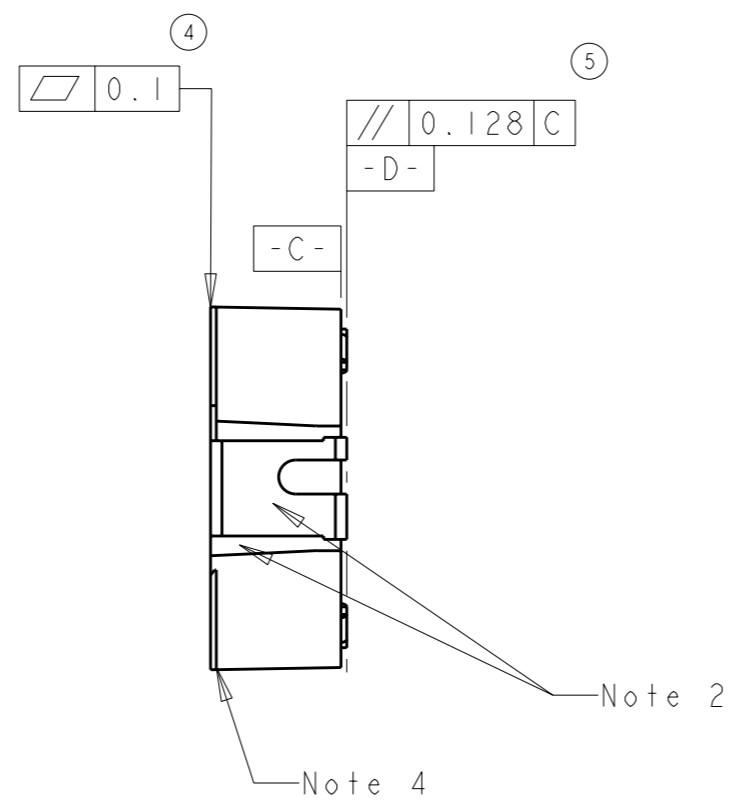
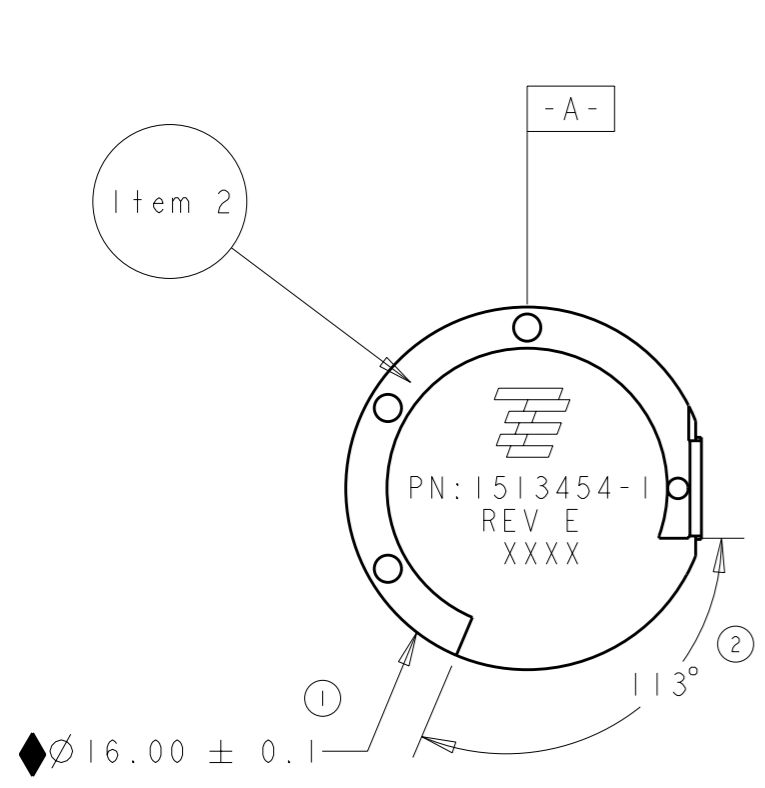
2

1

THIS DRAWING IS UNPUBLISHED. RELEASED FOR PUBLICATION 20

© COPYRIGHT 20 BY TYCO ELECTRONICS CORPORATION. ALL RIGHTS RESERVED.

| LOC | DIST | REVISIONS | | | |
|-----|------|-------------|---------------|----------|-------|
| P | LTR | DESCRIPTION | DATE | DWN | APVD |
| HQ | 00 | E | REVISED NOTES | 3MAY2010 | DW GG |



1513454-1
SCALE 2:1

NOTES:

1. Material-DuPont Zenite 6130L, 30% glass filled, black color.
2. General tolerance block applies unless otherwise specified.
3. All components are RoHS compliant per Tyco Electronics standards TEC-138-702
4. Part will be identified with part number, rev letter, TE logo and 4 digit date code. 1st two digits for the year and the 2nd two digits for the week.
5. Consult Tyco Electronics data sheet 1513454

ONGOING STATISTICAL PROCESS CONTROL REQUIRED (TOTAL 2 PCS.)

| | | | | | |
|---|-------------|-------------------|-----------------------|---|--------------------|
| THIS DRAWING IS A CONTROLLED DOCUMENT FOR TYCO ELECTRONICS CORPORATION. IT IS SUBJECT TO CHANGE AND THE CONTROLLING ENGINEERING ORGANIZATION SHOULD BE CONTACTED FOR THE LATEST REVISION. | | DWN KPG | 11NOV2004 | Tyco Electronics Rochester, New York 14623 | |
| DIMENSIONS: mm | | CHK - | APVD - | NAME Antenna Assembly 1513454-1 | |
| TOLERANCES UNLESS OTHERWISE SPECIFIED: | | PRODUCT SPEC - | APPLICATION SPEC - | SIZE A3 | CAGE CODE 00779 |
| 0 PLC ±0.10 1 PLC ±0.10 2 PLC ±0.05 3 PLC ±0.05 4 PLC ±0.01 ANGLES ±1° | | WEIGHT - | DRAWING NO 1513454 | | RESTRICTED TO - |
| MATERIAL - | FINISH - | CUSTOMER DRAWING | | SCALE 4:1 | SHEET 1 OF 1 REV E |

Mouser Electronics

Authorized Distributor

Click to View Pricing, Inventory, Delivery & Lifecycle Information:

[TE Connectivity:](#)

[1513454-1](#)