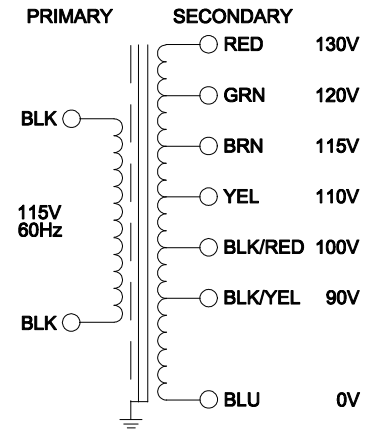
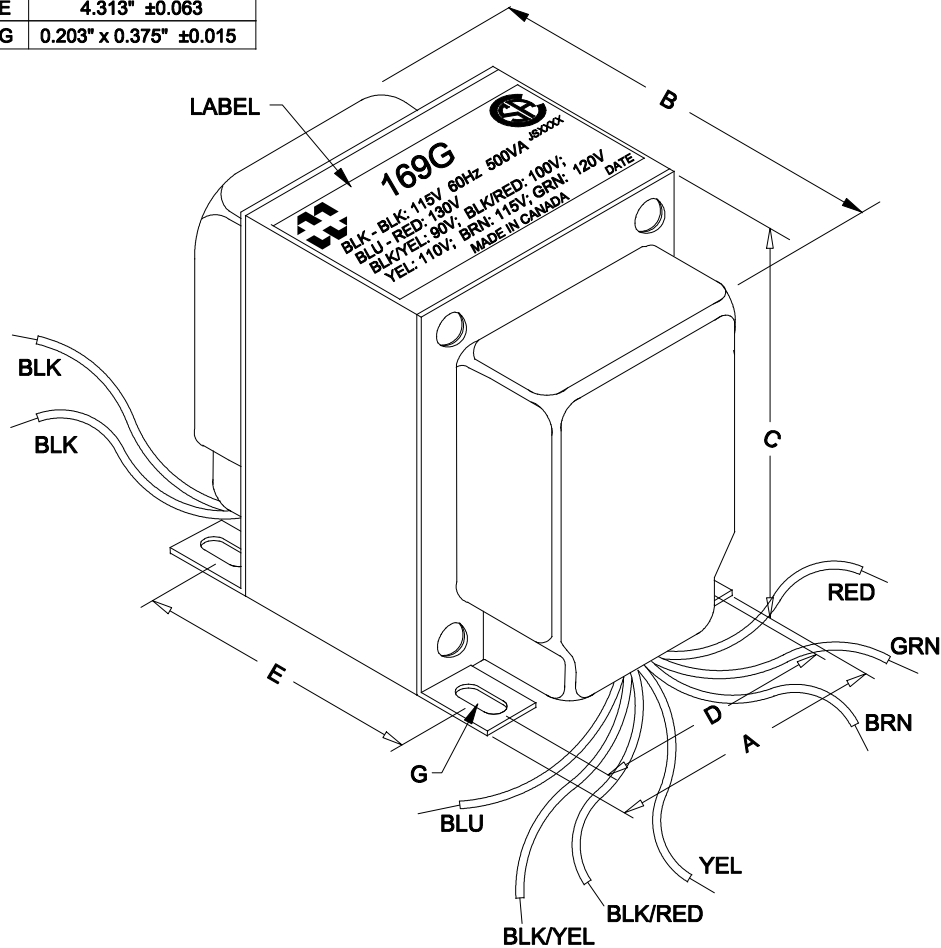


DIMENSIONS:	
A	3.750" ±0.063
B	5.435" ±0.125
C	4.560" ±0.063
D	3.000" ±0.063
E	4.313" ±0.063
G	0.203" x 0.375" ±0.015



NOTE: ALL LEADS 8" OUT MIN.

ELECTRICAL DATA:		
TESTS	CONDITIONS	ACCEPTANCE CRITERIA
Iex	@ 115V, 60Hz, BLK - BLK	866mA Max.
Sec. N.L.V	@ 115V, 60Hz, BLK - BLK	
	BLU - BLK/YEL =	93.38V ±2%
	BLU - BLK/RED =	104.2V ±2%
	BLU - YEL =	114.0V ±2%
	BLU - BRN =	118.9V ±2%
	BLU - GRN =	123.8V ±2%
	BLU - RED =	133.7V ±2%
DCR	@ 20°C, BLK - BLK =	0.321 Ω ±20%
	@ 20°C, BLU - RED =	0.429 Ω ±20%
HIPOT	PRIMARY - SECONDARY	1500V, 60Hz, 1 SEC

REV.#	REVISION	DATE	HAMMOND ELECTRONIC DIVISION		52 RANKIN PLACE, WATERLOO, ONTARIO, N2J 3Z5		PH # (519) 886-6181
0	RELEASED.	C.I. 10/09/20	MANUFACTURING™				FAX # (519) 886-9540
			DWG. BY: C. ILIE	CHK'D BY:	TITLE: ISOLATING TRANSFORMER	DWG. NO. 169G	
			DATE: 10/09/20	APP'D. BY:			
				DIMENSIONS: IN(X) MM( )			