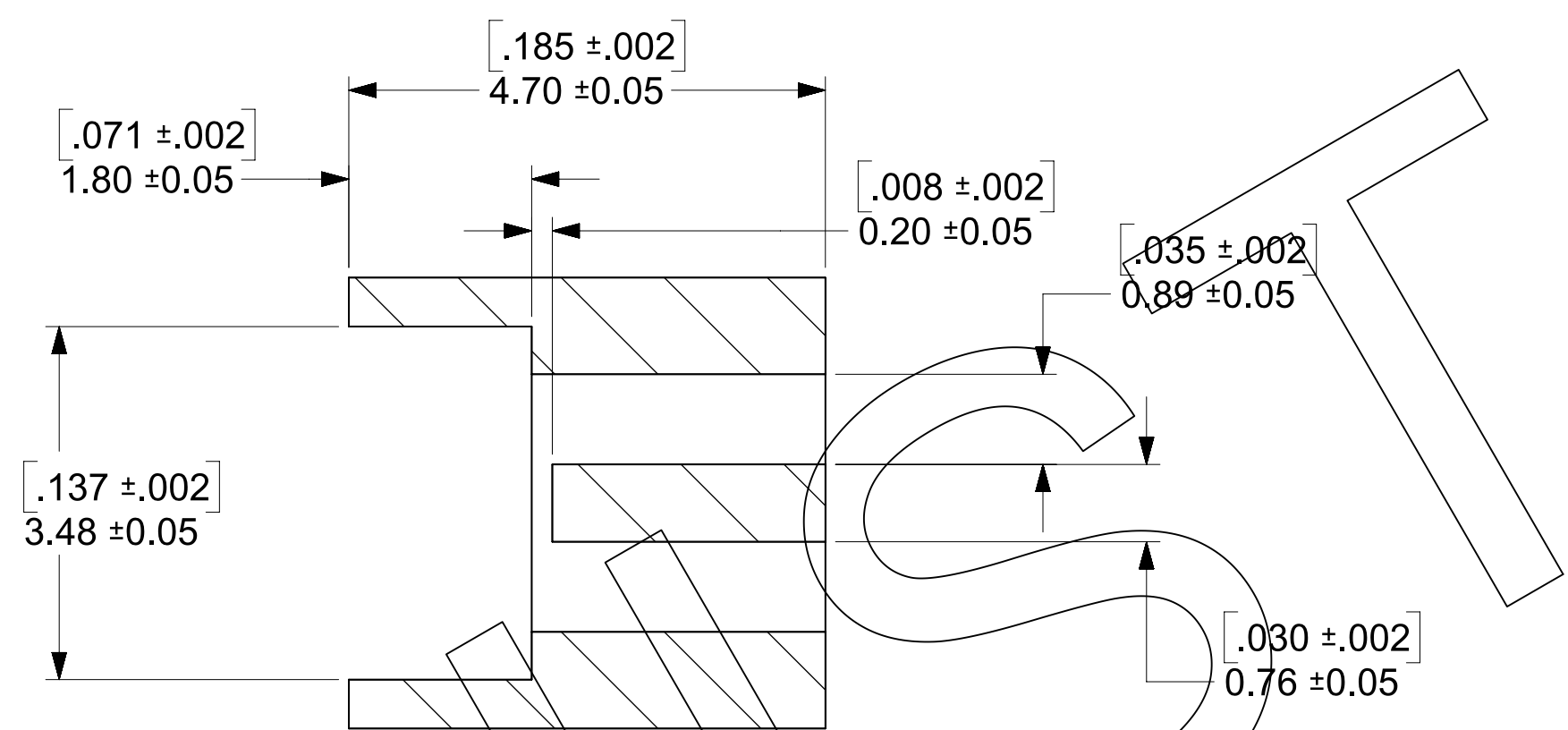
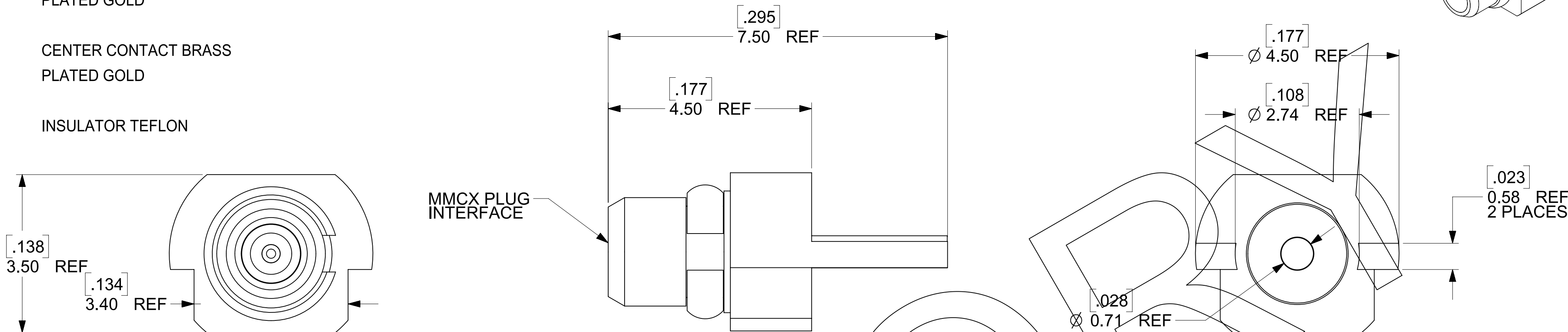
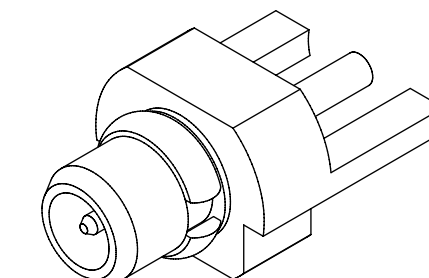


MATERIALS AND FINISHES

BODY BRASS  
PLATED GOLD

CENTER CONTACT BRASS  
PLATED GOLD

INSULATOR TEFLON



BOARD MATERIAL: FR4, 1.4mm(.055) THICK  
PCB LAYOUT WITH GROUND PLANE

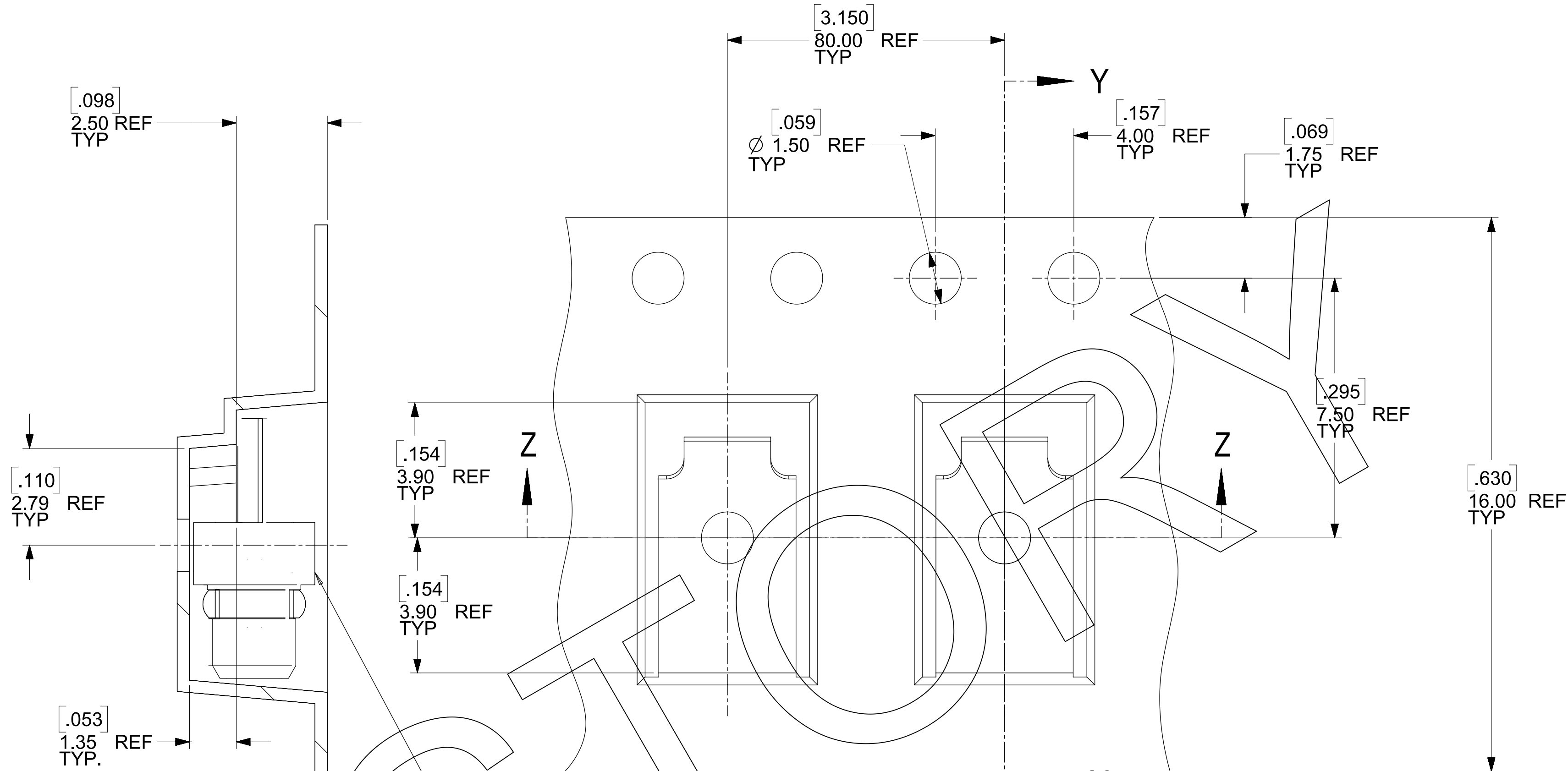
CECC 22 340	INTERFACE
PS-89675-1920	ELECTRO/MECH PERFORM.
SPECIFICATION	DESCRIPTION

73415-0993	P/N 73415-0991, ONE PER BAG
73415-0992	PER COMMERCIAL REQUIREMENTS, TAPE AND REEL
73415-0991	PER COMMERCIAL REQUIREMENTS, BAG-500 PCS
73415-0990	PER MILITARY REQUIREMENTS, BAG-500 PCS
PART NO.	PLATING AND PACKAGING

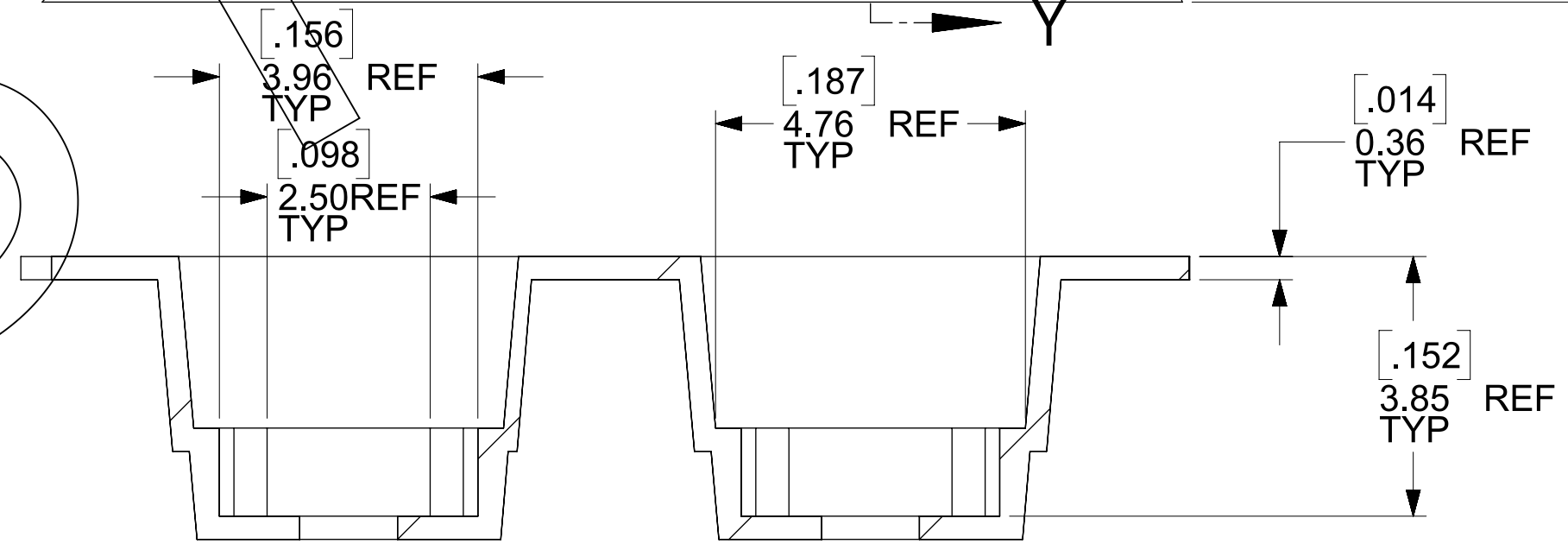
E5	CHANGE WORD FROM "COMMERICAL" TO "COMMERCIAL"
REV	DESCRIPTION

THIS DRAWING CONTAINS INFORMATION THAT IS PROPRIETARY TO MOLEX ELECTRONIC TECHNOLOGIES, LLC AND SHOULD NOT BE USED WITHOUT WRITTEN PERMISSION

CHANGE PER RFT7-E098 EC NO: 120131 DRWN: JSU18 CHKD: REV / APPR: YCHENG	2017/07/28	2017/08/02	GENERAL TOLERANCES (UNLESS SPECIFIED)	DIMENSION UNITS	SCALE	
			ANGULAR TOL ± 2.0 °	HYBRID	1:1	
			4 PLACES ±	DRWN BY	DATE	
			3 PLACES ±	TFLAHERTY	2007/01/09	
		2 PLACES ±	CHK'D BY	DATE	PRODUCT CUSTOMER DRAWING MMCX PLUG, EDGE MOUNT LAUNCHER, 50 OHMS MMCX-P/PCB PRODUCT CUSTOMER DRAWING SERIES MATERIAL NUMBER CUSTOMER 73415 MOLEX DOCUMENT NUMBER DOC TYPE DOC PART SHEET NUMBER SD-73415-099 PSD 001 1 OF 4	
		1 PLACE ±	APPR BY	DATE		
		0 PLACES ±	JWIENER	2007/01/09		
		DRAFT WHERE APPLICABLE MUST REMAIN WITHIN DIMENSIONS	DRAWING SIZE	THIRD ANGLE PROJECTION		
E5				C		



**SECTION Y-Y**  
 MOLEX P/N 73415-0991  
 1200 PLACES



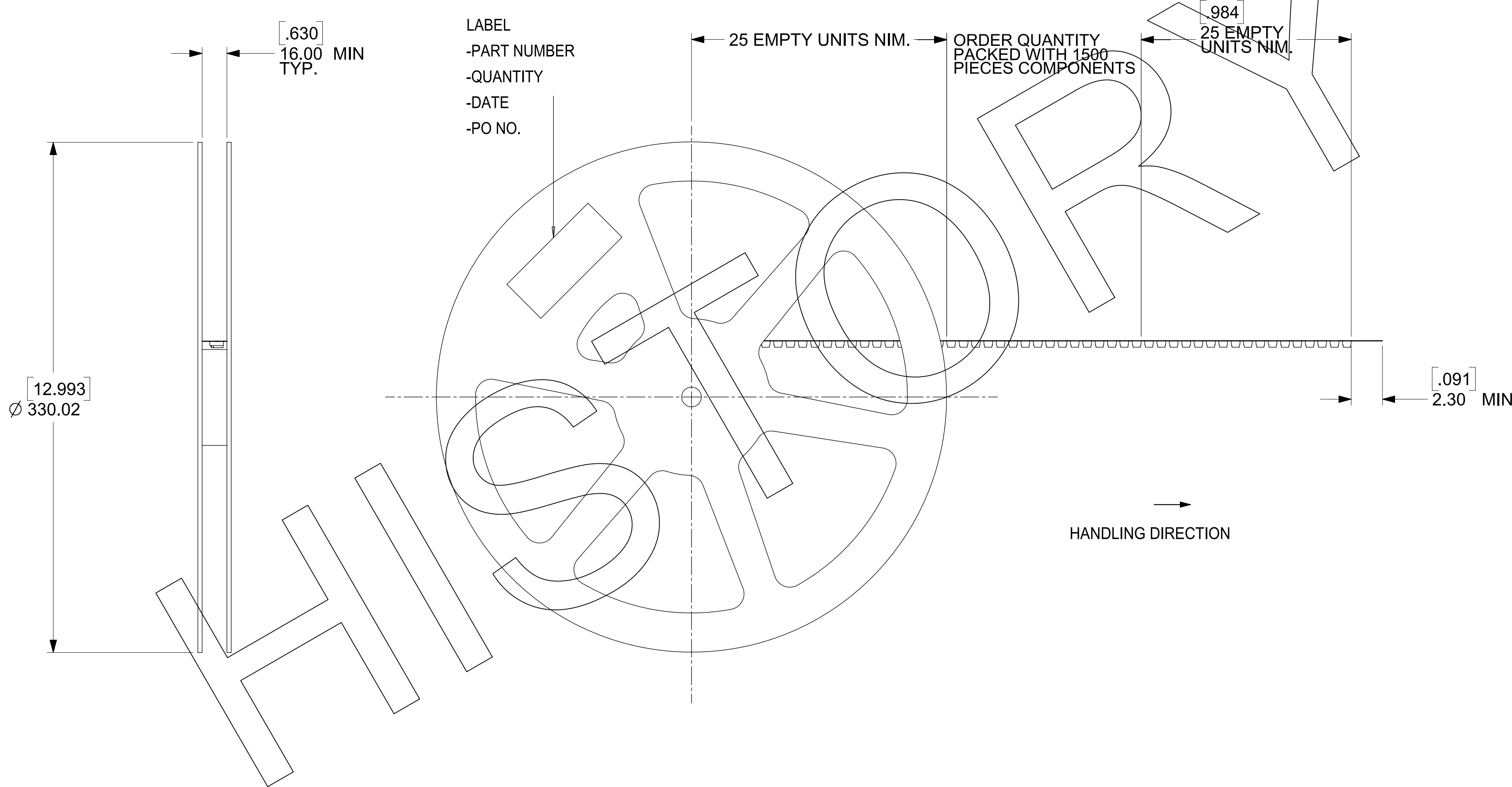
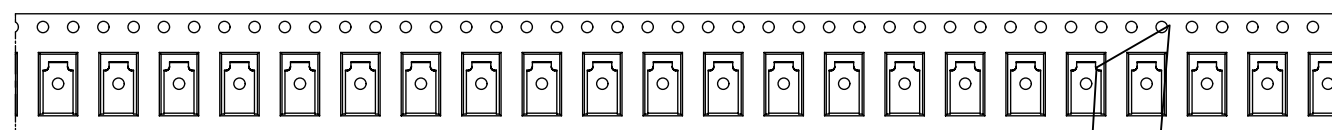
**SECTION Z-Z**

NOTE:

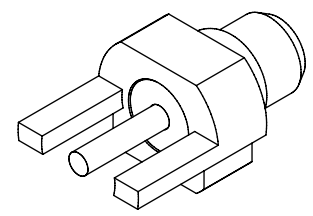
1. DIMENSIONS ARE PROVIDED FOR REFERENCE ONLY.

THIS DRAWING CONTAINS INFORMATION THAT IS PROPRIETARY TO MOLEX ELECTRONIC TECHNOLOGIES, LLC AND SHOULD NOT BE USED WITHOUT WRITTEN PERMISSION											
CHANGE PER RFT7-E098 EC NO: 120131 DRWN: JSU18 CHKD: YCHENG REV: APPR: YCHENG	GENERAL TOLERANCES (UNLESS SPECIFIED)			DIMENSION UNITS	SCALE						
	ANGULAR TOL ± 2.0 °			HYBRID	1:1						
	4 PLACES ±	DRWN BY		DATE		MMCX PLUG, EDGE MOUNT LAUNCHER, 50 OHMS MMCX-P/PCB PRODUCT CUSTOMER DRAWING SERIES: 73415 MATERIAL NUMBER: CUSTOMER: MOLEX DOCUMENT NUMBER: SD-73415-099 PSD DOC PART: 001 SHEET NUMBER: 2 OF 4					
	3 PLACES ±	TFLAHERTY		2007/01/09							
	2 PLACES ±	CHK'D BY		DATE							
1 PLACE ±	SSHAH		2007/01/09								
0 PLACES ±	APPR BY		DATE								
DRAFT WHERE APPLICABLE MUST REMAIN WITHIN DIMENSIONS			JWIENER		2007/01/09						
DRAWING SIZE			THIRD ANGLE PROJECTION								
C											

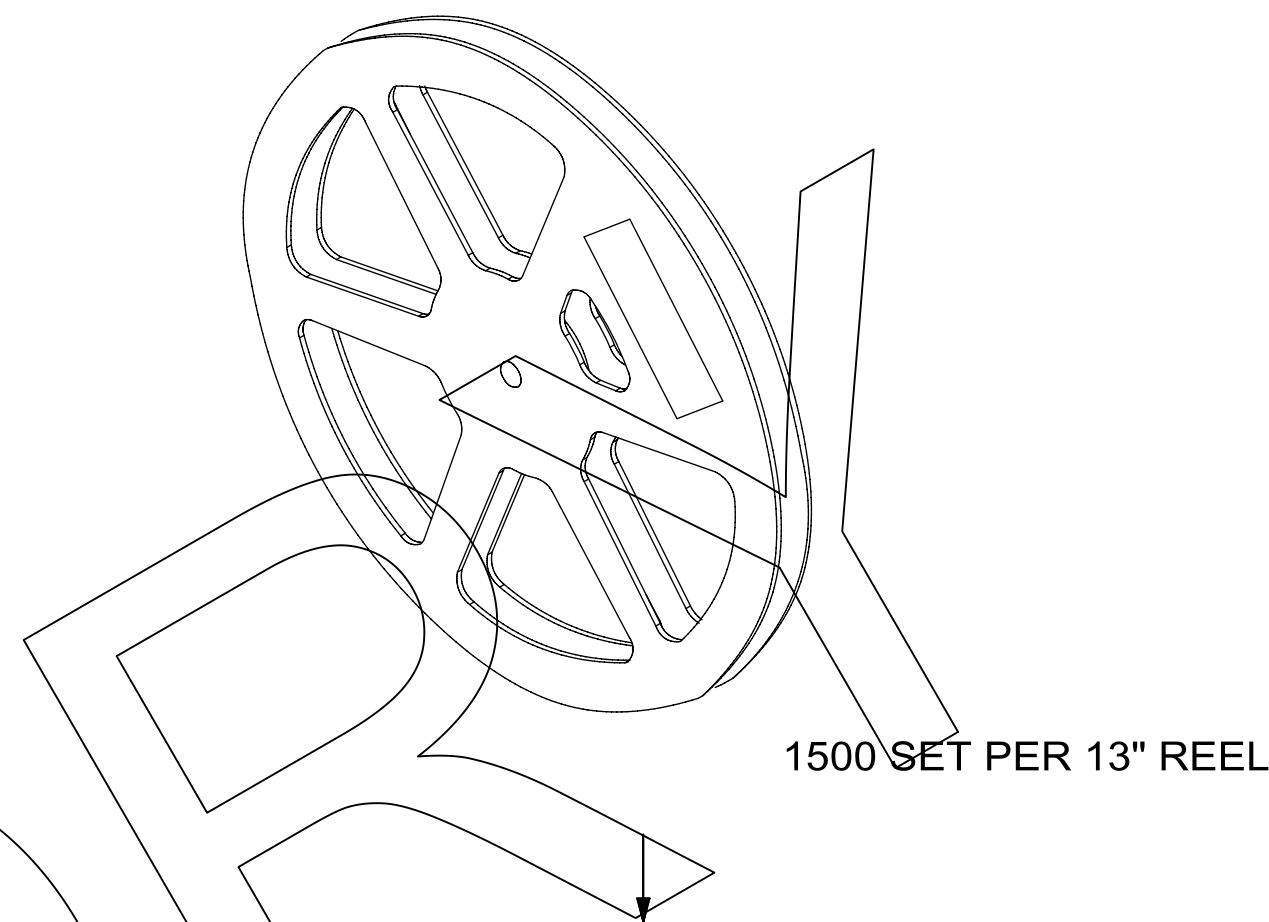
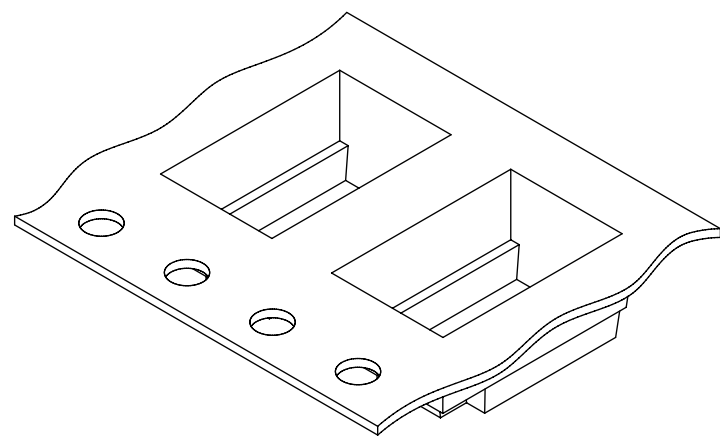
NOTE:  
13° REEL SIZE FOR 1500 PIECES



THIS DRAWING CONTAINS INFORMATION THAT IS PROPRIETARY TO MOLEX ELECTRONIC TECHNOLOGIES, LLC AND SHOULD NOT BE USED WITHOUT WRITTEN PERMISSION											
CHANGE PER RFT7-E098 EC NO: 120131 DRWN: JSU18 CHKD: REV / APPR: YCHENG	2017/07/28		2017/08/02		GENERAL TOLERANCES (UNLESS SPECIFIED)		DIMENSION UNITS		SCALE		
	2017/07/28		2017/08/02		ANGULAR TOL ± 2.0 °		HYBRID		1:1		
	4 PLACES ±		TFLAHERTY		DATE		2007/01/09		MMCX PLUG, EDGE MOUNT LAUNCHER, 50 OHMS MMCX-P/PCB		
	3 PLACES ±		SSH AH		DATE		2007/01/09		PRODUCT CUSTOMER DRAWING		
	2 PLACES ±		JWIENER		DATE		2007/01/09		SERIES MATERIAL NUMBER CUSTOMER		
	1 PLACE ±		73415		MOLEX		DOCUMENT NUMBER		SD-73415-099		
0 PLACES ±		DRAFT WHERE APPLICABLE MUST REMAIN WITHIN DIMENSIONS		DRAWING SIZE		THIRD ANGLE PROJECTION		DOC TYPE		DOC PART SHEET NUMBER	
E5		C		PSD		001		3 OF 4			

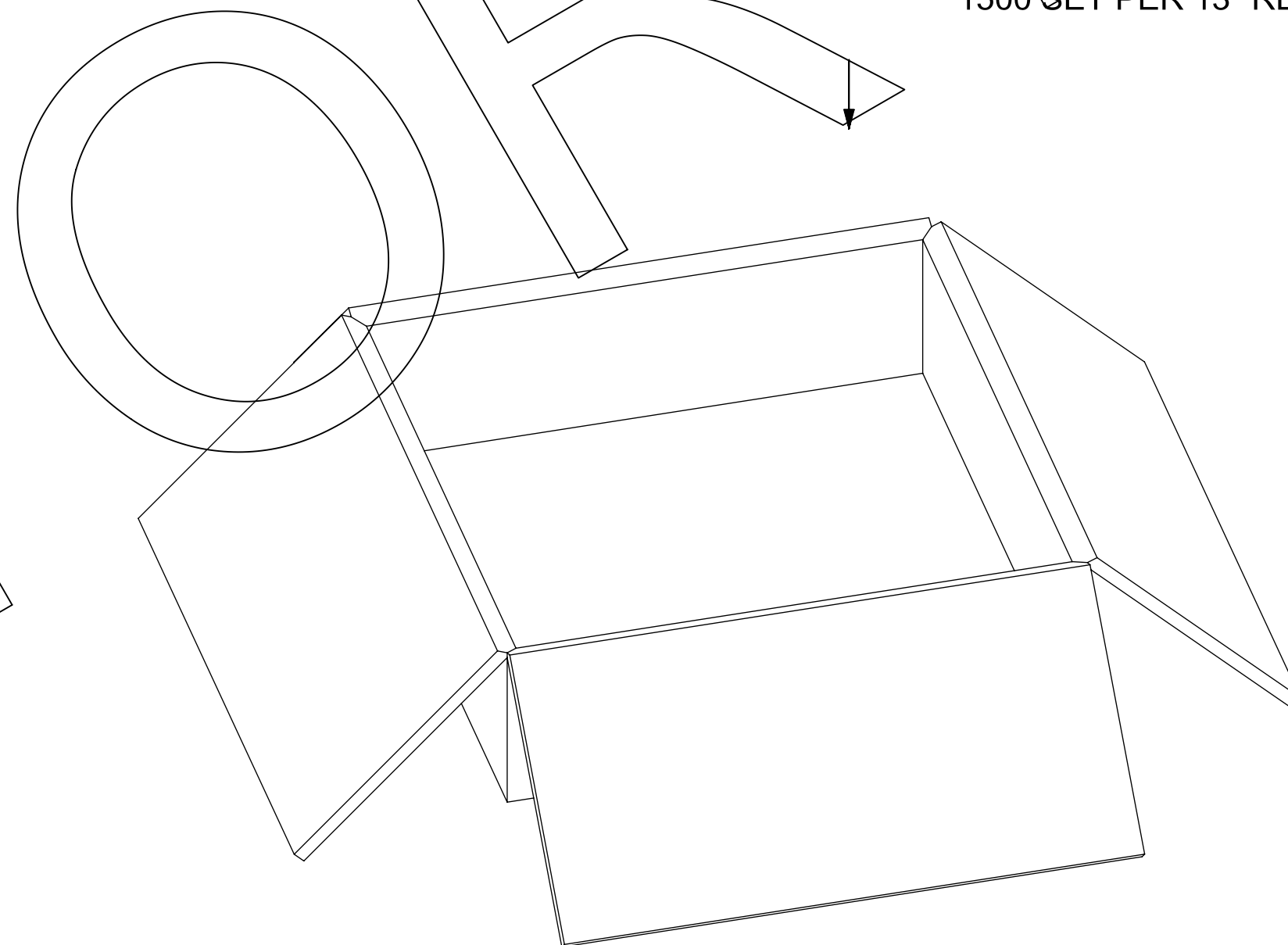


PART NO.  
73415-0992



1500 SET PER 13" REEL

HIGH SPEED



6000 SET PER OUTER  
CARTON BOX  
339 X 339 X 100 REF.

THIS DRAWING CONTAINS INFORMATION THAT IS PROPRIETARY TO MOLEX ELECTRONIC TECHNOLOGIES, LLC AND SHOULD NOT BE USED WITHOUT WRITTEN PERMISSION											
CHANGE PER RFT7-E098 EC NO: 120131 DRWN: JSU18 CHKD: REV / APPR: YCHENG	2017/07/28		2017/08/02		GENERAL TOLERANCES (UNLESS SPECIFIED)		DIMENSION UNITS		SCALE		
	2017/07/28		2017/08/02		ANGULAR TOL ± 2.0 °		HYBRID		1:1		
	4 PLACES ±		TFLAHERTY		DATE		2007/01/09		MMCX PLUG, EDGE MOUNT LAUNCHER, 50 OHMS MMCX-P/PCB		
	3 PLACES ±		CHK'D BY		DATE		2007/01/09		PRODUCT CUSTOMER DRAWING		
	2 PLACES ±		SSHAH		DATE		2007/01/09		SERIES MATERIAL NUMBER CUSTOMER		
	1 PLACE ±		JWIENER		DATE		2007/01/09		73415 MOLEX		
0 PLACES ±		DRAFT WHERE APPLICABLE MUST REMAIN WITHIN DIMENSIONS		DRAWING SIZE		THIRD ANGLE PROJECTION		DOCUMENT NUMBER		DOC TYPE DOC PART SHEET NUMBER	
E5		C		C		C		SD-73415-099		PSD 001 4 OF 4	