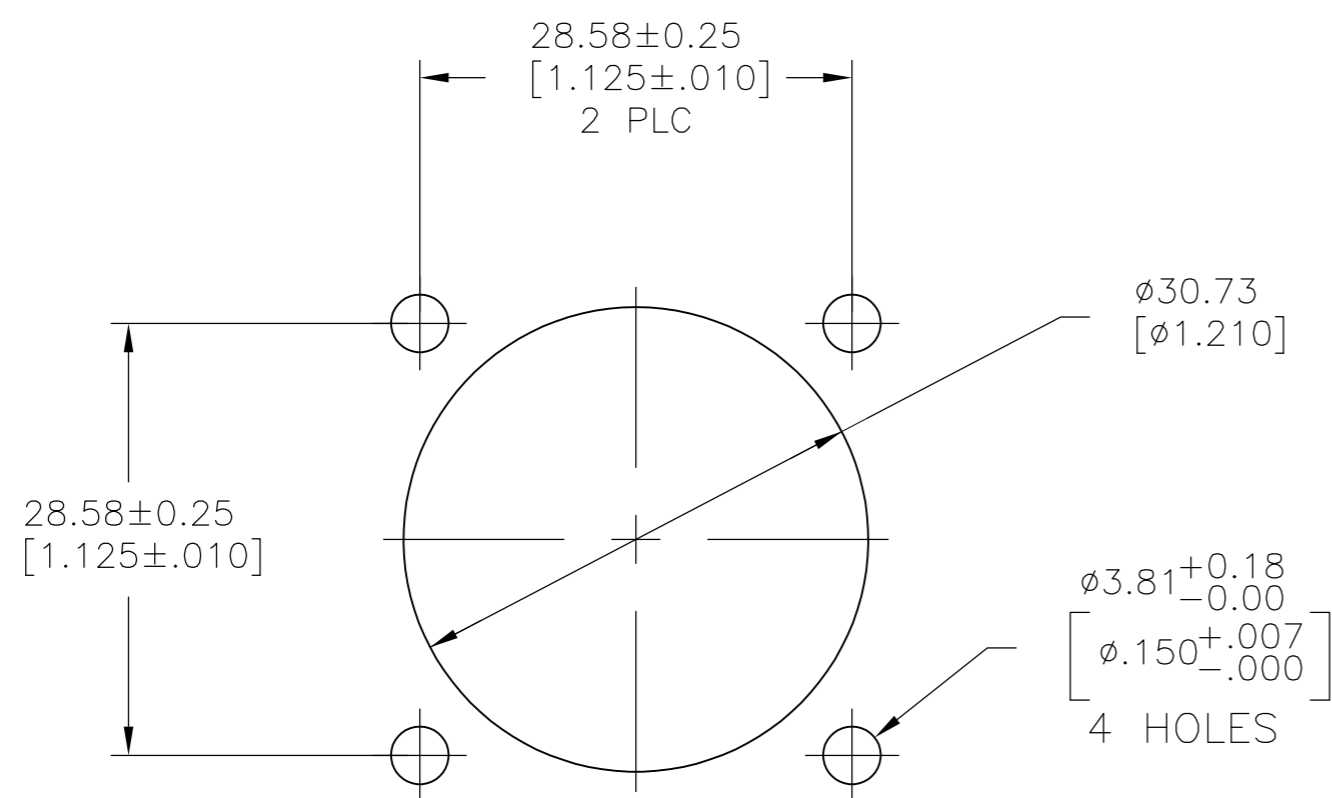
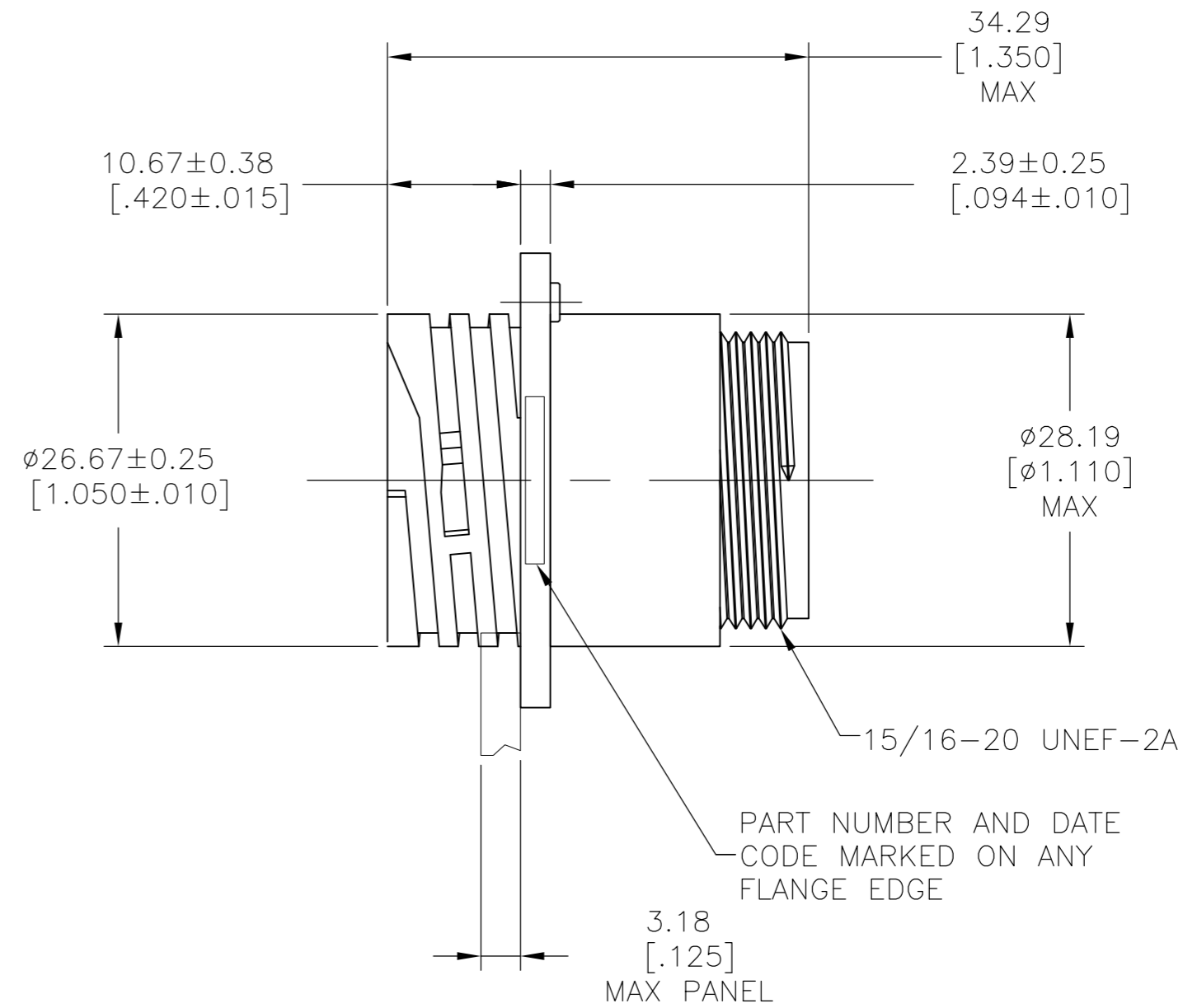
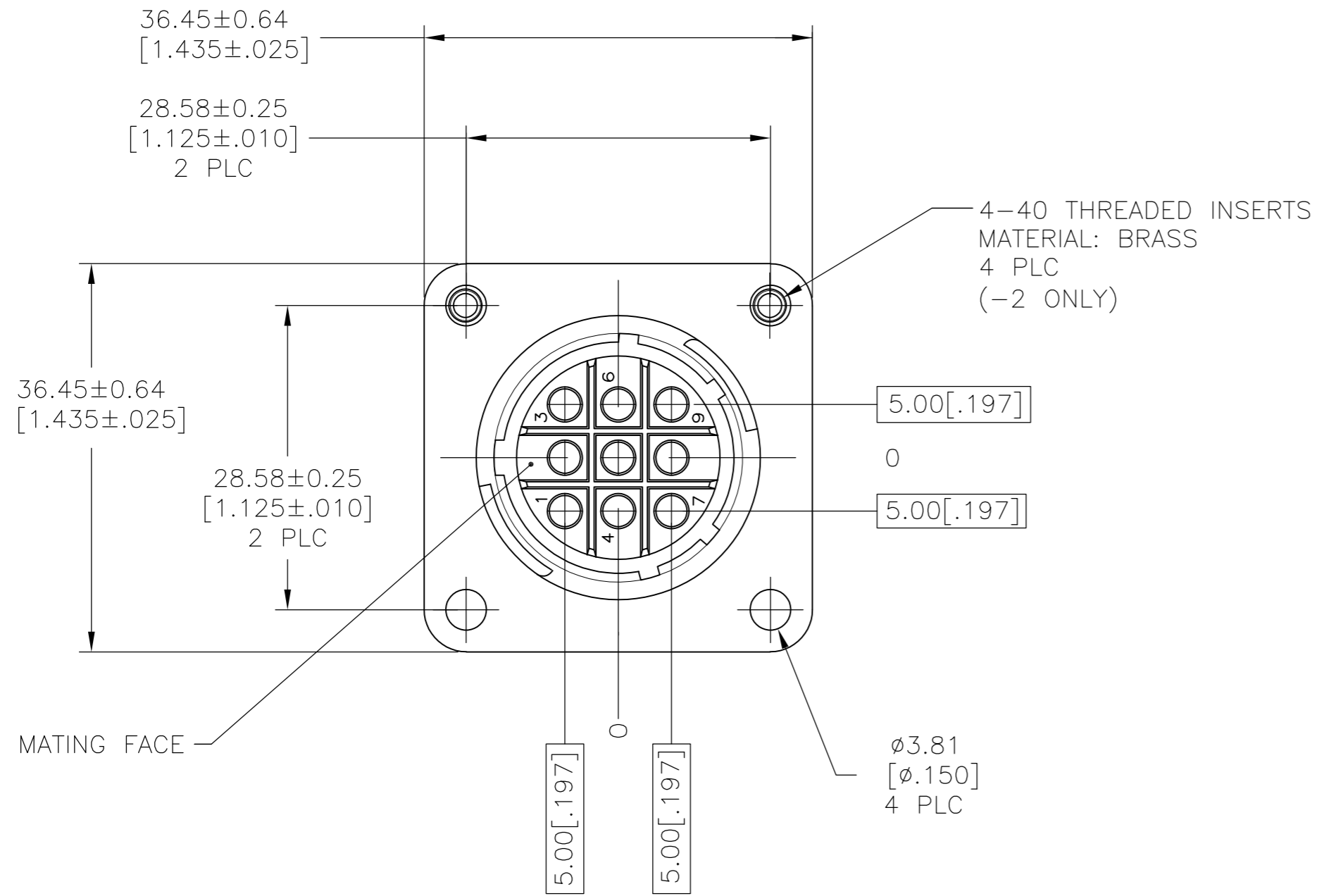


THIS DRAWING IS UNPUBLISHED. RELEASED FOR PUBLICATION  
 © COPYRIGHT - By - ALL RIGHTS RESERVED.

REVISIONS					
P	LTR	DESCRIPTION	DATE	DWN	APVD
D1		REVISED PER ECO-11-004587	11MAR11	RK	HMR
E		REVISED PER ECR-16-012833	07DEC2016	RS	MZ



RECOMMENDED PANEL CUTOUT

- 1. HOUSING: NYLON, BLACK.  
THREADED INSERTS: BRASS
- 2. CAVITY IDENTIFICATION ON FRONT AND REAR FACE.
- 3. WILL ACCEPT NINE (9) MULTIMATE PIN CONTACTS.

OBSELETE	YES	211767-3
	YES	211767-2
	NO	211767-1
	4-40 THREADED INSERTS	PART NUMBER

THIS DRAWING IS A CONTROLLED DOCUMENT.		DWN D.BROCKWAY 09-28-94	TE Connectivity	
DIMENSIONS: mm [INCHES]		CHK R.STONE 09-30-94	RCPT HSG, STD SEX, VDE, SHELL SIZE 17, CPC	
TOLERANCES UNLESS OTHERWISE SPECIFIED:		APVD -	SIZE A2	
0 PLC ± -	1 PLC ± -	PRODUCT SPEC -	CAGE CODE 00779	DRAWING NO C=211767
2 PLC ± 0.13 [.005]	3 PLC ± -	APPLICATION SPEC -	RESTRICTED TO -	
4 PLC ± -	ANGLES ± -	WEIGHT 0.000000	SCALE 2:1	SHEET 1 OF 1
MATERIAL 1	FINISH -	CUSTOMER DRAWING	REV E	

# Mouser Electronics

Authorized Distributor

Click to View Pricing, Inventory, Delivery & Lifecycle Information:

[TE Connectivity:](#)

[211767-2](#)