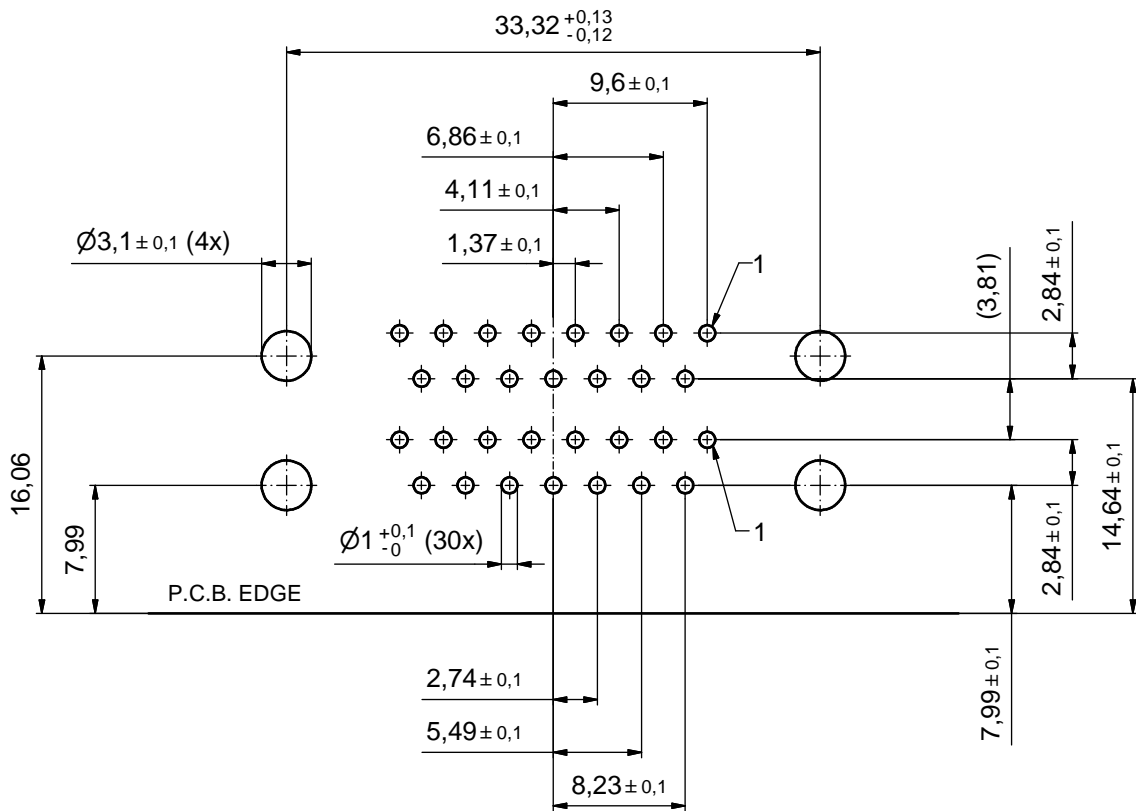


**NOTES:**

1. METALSHELLS: STEEL; min. 315µm TIN over 40-80µm NICKEL
2. INSULATORS: PBT GF UL 94 V-0, BLACK
3. CONTACTS: COPPER ALLOY; PLATING (SEE PART NO):
  - PLEASE ADD A for GOLD FLASH over NICKEL (PREFERRED TYPE)
  - PLEASE ADD B for 20µm HARD GOLD over min. 50µm NICKEL
  - PLEASE ADD C for 30µm HARD GOLD over min. 50µm NICKEL
4. METAL BRACKETS:
  - ZINC DIE CAST; 300µm COPPER/40-120µm NICKEL/120-200µm TIN
5. THREADED INSERTS: COPPER ALLOY; min. 200µm TIN over 80µm NICKEL
6. FIXING PLATE: PBT GF UL 94 V-0, BLACK
7. PCB-SNAPS: COPPER ALLOY; min. 200µm TIN over 80µm NICKEL  
PCB-HOLE:  $\phi 3,1 \pm 0,1$ mm; PCB-THICKNESS: 1,6mm
8. P.C.B. HOLE DRILLINGS ON SHEET 2
9. MAXIMUM TORQUE VALUE FOR THREAD: 6 in.LB
10. CONNECTOR IS PART MARKET: 164□19929X CONEC ABC

Directive 2002/95/EC RoHS compliant

THIS DRAWING MAY NOT BE COPIED OR REPRODUCED IN ANY WAY, AND MAY NOT BE PASSED ON TO A THIRD PARTY WITHOUT WRITTEN PERMISSION. OWNERSHIP AND COPYRIGHT OF CONEC GmbH DO NOT ALTER CAD DRAWING BY HAND				tolerance		dim. in mm	scale: 2:1	
				date			material: see notes	
				name		title:		
				drawn 10.04.13 Schmidt		D-SUB DUAL PORT 19,05mm		
appd. 10.04.13 Fischer		FEMALE / FEMALE 2x15pos.						
norm		threaded insert, metal bracket, fixing plate, snap						
d-old 16K1A543 / 16K11MGA		dwg no:						
1 x b	A4717	10.04.13	HS			16K1A3220 (b)		DIN-A3
a	Original					sh: 1		
rev.	description	date	name	part no: 164□19929X (see note3)				



P.C.B. HOLE DRILLINGS  
(P.C.B. TOP SIDE)

THIS DRAWING MAY NOT BE COPIED OR REPRODUCED IN ANY WAY, AND MAY NOT BE PASSED ON TO A THIRD PARTY WITHOUT WRITTEN PERMISSION. OWNERSHIP AND COPYRIGHT OF CONEC GmbH DO NOT ALTER CAD DRAWING BY HAND				tolerance		scale: 3:1	
				date	name	material: see sheet 1	
				drawn	10.04.13 Schmidt	title: P.C.B. HOLE DRILLINGS D-SUB DUAL PORT 19,05mm FEMALE / FEMALE 2x15pos.	
				appd.	10.04.13 Fischer		
				norm			
				d-old	see sheet 1	dwg no:	
				rev.	a Original	16K1A3220	DIN-A3
				description		part no: see sheet 1	sh: 2
				date			
				name			

# Mouser Electronics

Authorized Distributor

Click to View Pricing, Inventory, Delivery & Lifecycle Information:

[CONEC:](#)

[164A19929X](#)