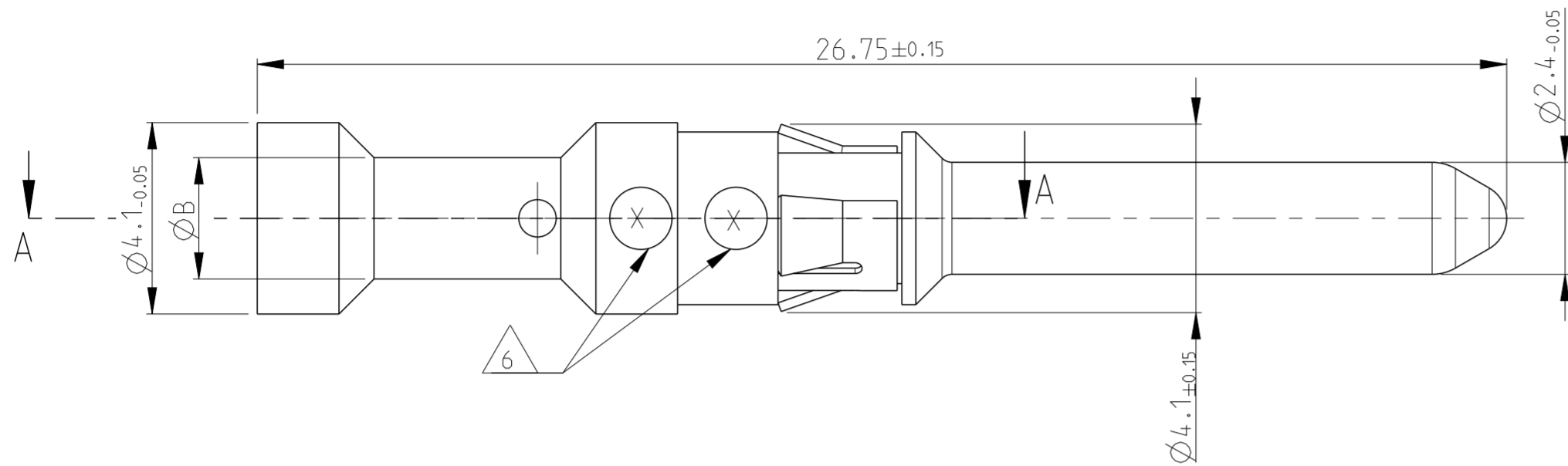
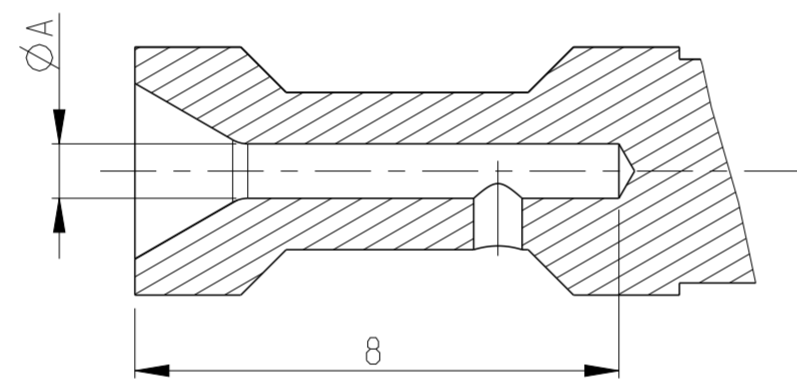


THIS DRAWING IS UNPUBLISHED. RELEASED FOR PUBLICATION 2006  
 © COPYRIGHT 2006 BY - ALL RIGHTS RESERVED.

LOC		DIST		REVISIONS			
P	LTR	DESCRIPTION		DATE	DWN	APVD	
A1	-	H2	REVISED PER ECO-11-005030	24MAR2011	RK	HMR	
		H3	ECR-16-016696	14SEP2017	GA	MKO	



SECTION A-A

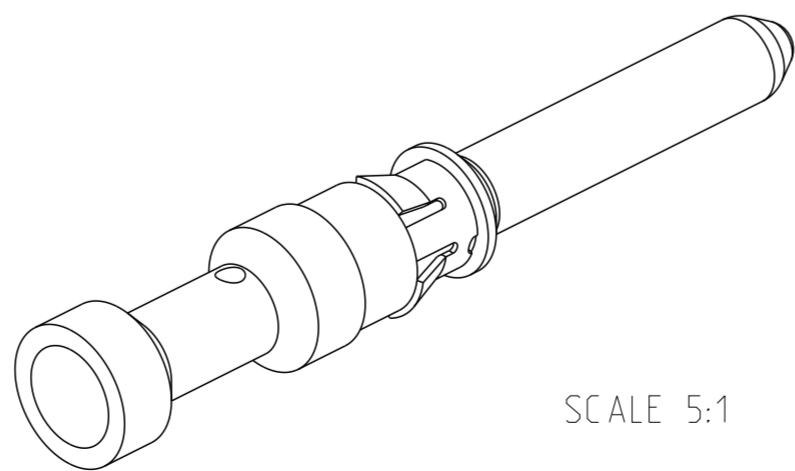


NOTES:

- 1 MATERIAL SEE TABLE
- 2 SURFACE SEE TABLE
- 3 ASSEMBLY WEIGHT SEE TABLE
- 4 PACKAGING: 50 PIECES IN POLYBAG
- 5 PACKAGING: 500 PIECES IN POLYBAG & CARTON
- 6 CROSS-SECTION MARKING
- 7 NO VENTILATION HOLE REQUIRED AT CROSS SECTION >4 mm<sup>2</sup>
- 8 SUITABLE SOCKET CONTACT: PN 1105301
- 9 SUITABLE INSERTS: SERIES HVT
- 10 SUITABLE CRIMP TOOL: PN 1-1105851-8
- 11 SUITABLE INSERTION TOOL: PN 0-1102855-6
- 12 SUITABLE EXTRACTION TOOL: PN 0-1102855-3
- 13 STANDARDS: DIN EN 61984, DIN EN 60664-1
- 14 OBSOLETE

														ASSEMBLY WEIGHT IN (Kg) 3							
0.00142	0.00144	0.00148	0.00145	0.00149	0.00150	0.00144	0.00148	0.00133	0.00142	0.00144	0.00148	0.00145	0.00149	0.00150							
1	1	1	1	1	1	1	1	1	1	1	1	1	1	1							
															Pin Contact 4.0 mm <sup>2</sup>	CuZn39Pb3 F43	GOLD PLATING	2.85	3.9	6	1
															Pin Contact 2.5 mm <sup>2</sup>			2.2	3.2	5	
															Pin Contact 1.5 mm <sup>2</sup>			1.8	3.0	4	
															Pin Contact 0.75-1.0 mm <sup>2</sup>			1.45	2.6	3	
															Pin Contact 0.5 mm <sup>2</sup>			1.1	2.6	2	
															Pin Contact 0.13-0.4 mm <sup>2</sup>			0.9	2.6	1	
															Pin Contact 14 AWG		2.0	3.2	8		
															Pin Contact 12 AWG		2.55	3.6	9		
															Pin Contact 10 AWG		3.2	4.1	7		
															Pin Contact 4.0 mm <sup>2</sup>		2.85	3.9	6		
															Pin Contact 2.5 mm <sup>2</sup>		2.2	3.2	5		
															Pin Contact 1.5 mm <sup>2</sup>		1.8	3.0	4		
															Pin Contact 0.75-1.0 mm <sup>2</sup>		1.45	2.6	3		
															Pin Contact 0.5 mm <sup>2</sup>		1.1	2.6	2		
															Pin Contact 0.13-0.4 mm <sup>2</sup>	0.9	2.6	1			

4	5-2	4-2	3-2	2-2	1-2	6-2	14	9-1	7-2	5-1	4-1	3-1	2-1	1-1	6-1	DESCRIPTION				MATERIAL	SURFACE	ØA	ØB	CROSS SECTION MARKING	ITEM NO
5	5-9	4-9	3-9	2-9	1-9	6-9	8-8	9-8	7-8	5-8	4-8	3-8	2-8	1-8	6-8	ORDERING TEXT				1	2	3	4	5	6
	HVT-C-Sr.Au.4.0 mm <sup>2</sup>	HVT-C-Sr.Au.2.5 mm <sup>2</sup>	HVT-C-Sr.Au.1.5 mm <sup>2</sup>	HVT-C-Sr.Au.0.75-1.0 mm <sup>2</sup>	HVT-C-Sr.Au.0.5 mm <sup>2</sup>	HVT-C-Sr.Au.0.13-0.4 mm <sup>2</sup>	HVT-C-Sr.Ag-AWG.14	HVT-C-Sr.Ag-AWG.12	HVT-C-Sr.Ag-AWG.10	HVT-C-Sr.Ag-AWG.4.0 mm <sup>2</sup>	HVT-C-Sr.Ag.2.5 mm <sup>2</sup>	HVT-C-Sr.Ag.1.5 mm <sup>2</sup>	HVT-C-Sr.Ag.0.75-1.0 mm <sup>2</sup>	HVT-C-Sr.Ag.0.5 mm <sup>2</sup>	HVT-C-Sr.Ag.0.13-0.4 mm <sup>2</sup>										



THIS DRAWING IS A CONTROLLED DOCUMENT.

DWN: G.WROBLEWSKI 04 SEP.2007  
 CHK: T.SCHNURPFELT 04 SEP.2007  
 APVD: T.SCHNURPFELT 04 SEP.2007

DIMENSIONS: mm

TOLERANCES UNLESS OTHERWISE SPECIFIED:  
 0 PLC  
 1 PLC  
 2 PLC  
 3 PLC  
 4 PLC  
 ANGLES  
 FINISH

PRODUCT SPEC: 108-74035  
 APPLICATION SPEC: 114-74013

NAME: CLIP  
 SIZE: A2  
 CAGE CODE: 00779  
 DRAWING NO: C-1105300  
 RESTRICTED TO: -

CUSTOMER DRAWING  
 SCALE: 5:1  
 SHEET: 1 OF 1  
 REV: H3

1471-9 (3/11)

# Mouser Electronics

Authorized Distributor

Click to View Pricing, Inventory, Delivery & Lifecycle Information:

[TE Connectivity:](#)

[4-1105300-2](#)