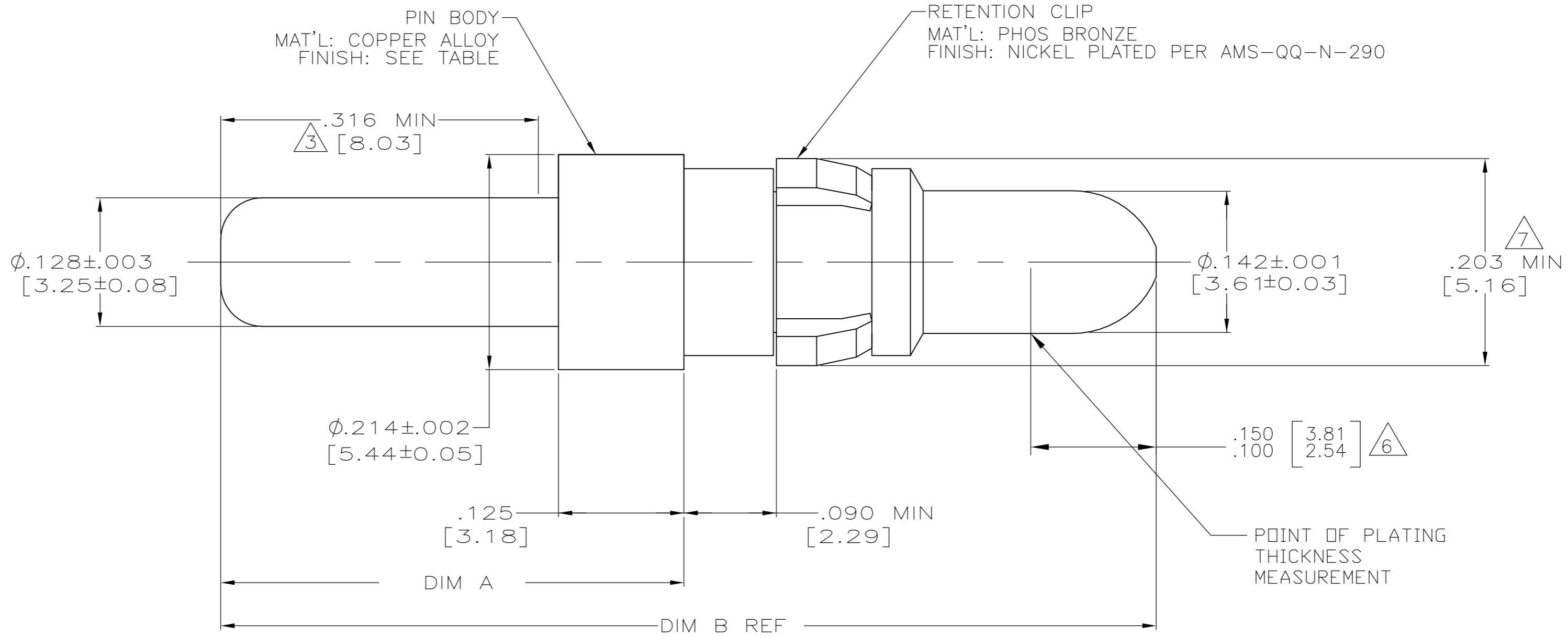


THIS DRAWING IS UNPUBLISHED. RELEASED FOR PUBLICATION
 © COPYRIGHT - By - ALL RIGHTS RESERVED.

LOC		DIST		REVISIONS			
P	LTR	DESCRIPTION		DATE	DWN	APVD	
E		REV PER ECO 15-000491		4-24-15	CT	CD	



1 FINISH: PLATED GOLD .000050 [0.00127] MIN THK PER ASTM-B-488 OVER NICKEL .000050 [0.00127] MIN THK PER AMS-QQ-N-290.

2 FINISH: PLATED GOLD .000030 [0.00076] MIN THK PER ASTM-B-488 OVER NICKEL .000050 [0.00127] MIN THK PER AMS-QQ-N-290.

3 THIS AREA SHALL SATISFY THE REQUIREMENTS OF MIL-STD-202, METHOD 208.

4. THIS CONTACT CAN BE USED IN ANY AMPLIMITE PLUG CONNECTOR WITH SIZE 8 CONTACT CAVITIES.

5 RESTRICTED PART NUMBER.

6 FINISH:
 MATING AREA: GOLD PER ASTM-B-488 (TYPE II) OVER NICKEL PER AMS-QQ-N-290
 NON-MATING AREA: GOLD STRIKE PER ASTM-B-488 OVER NICKEL PER AMS-QQ-N-290

7 DIMENSION MUST BE MEASURED USING A RING GAGE.

PRELIMINARY NOT RELEASED FOR PRODUCTION	5			1-449379-2
	2	.845 [21.46]	.375 [9.53]	1-449379-1
	2	.931 [23.65]	.461 [11.71]	1-449379-0
	6	.845 [21.46]	.375 [9.53]	449379-2
	6	.931 [23.65]	.461 [11.71]	449379-1
	FINISH	DIM B	DIM A	PART NUMBER

THIS DRAWING IS A CONTROLLED DOCUMENT.		DWN	C.C.THOMAS	11/10/00	TE TE Connectivity
DIMENSIONS: INCHES [mm]		CHK	D.MILLER	11/10/00	
TOLERANCES UNLESS OTHERWISE SPECIFIED:		APVD	D.MILLER	11/10/00	
0 PLC ± - 1 PLC ± - 2 PLC ± - 3 PLC ± .005 [0.13] 4 PLC ± - ANGLES ± -		PRODUCT SPEC			
MATERIAL: SEE CALLOUTS		FINISH	SEE TABLE	WEIGHT	-
		NAME		ASSEMBLY, PIN CONTACT SIZE 8, STRAIGHT POST, PCB	
		SIZE	A2	CAGE CODE	00779
		DRAWING NO	C=449379		RESTRICTED TO
		CUSTOMER DRAWING	SCALE	10:1	SHEET 1 of 1
				REV	E

Mouser Electronics

Authorized Distributor

Click to View Pricing, Inventory, Delivery & Lifecycle Information:

[TE Connectivity:](#)

[449379-2](#)