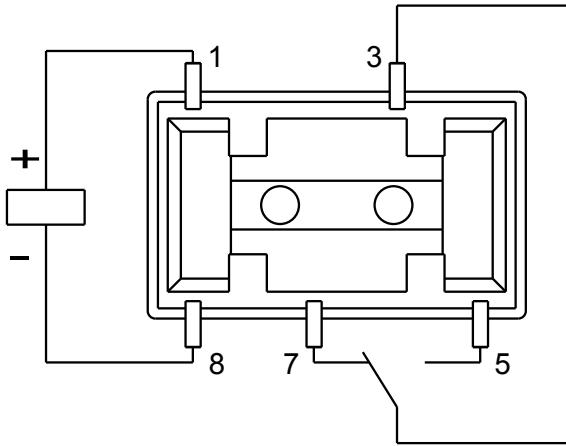
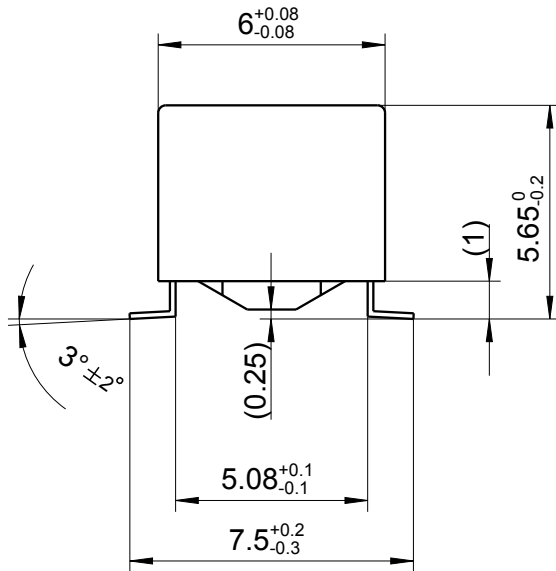
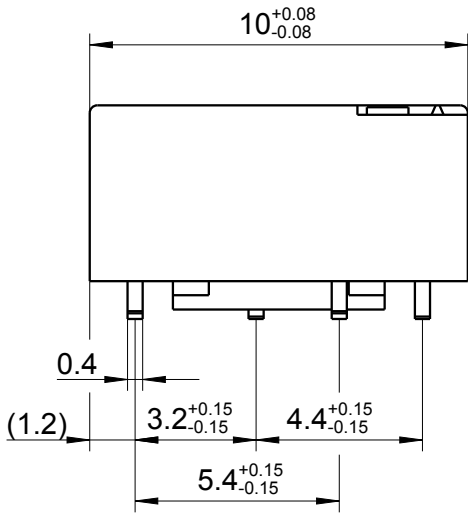


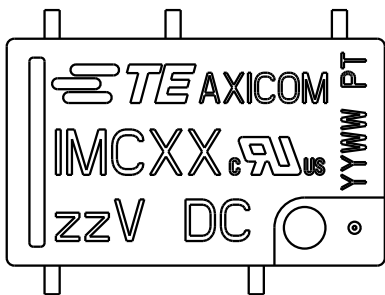
LOC	DIST	REVISIONS					
		P	LTR	DESCRIPTION	DATE	DWN	APVD
HJ	-		A2	REVISED PER ECO-11-005150	25MAR2011	RK	HMR
			A3	UR-marking new	09DEC2011	UKo	AK
			A4	REVISED PER ECR-13-014508 (TE-Logo)	16SEP2013	UKo	AK



Relay - bottom view



Coplanarity < 0.10mm



XX = Relay type  
 zz = nominal voltage  
 YYWW = Date code

RELEASED FOR PUBLICATION  
 ALL RIGHTS RESERVED.  
 THIS DRAWING IS UNPUBLISHED.  
 © COPYRIGHT 2008

DIMENSIONS: <b>mm</b>	DWN	01JUL2008	MATERIAL	-	FINISH	-
	CHK	01JUL2008	TE Connectivity			
TOLERANCES UNLESS OTHERWISE SPECIFIED: DIN 7168-m	UKo	01JUL2008				
0 PLC ±	APVD	01JUL2008	<b>NAME</b> IMC-Relay SMT Gull Wings (1 Form C) Dimensions			
1 PLC ±	PRODUCT SPEC	-				
2 PLC ±	APPLICATION SPEC	-	SIZE	CAGE CODE	DRAWING NO	RESTRICTED TO
3 PLC ±	WEIGHT	-	<b>A4</b>	00779	C-1462042-2	-
4 PLC ±	CUSTOMER DRAWING			SCALE	SHEET	REV
ANGLES ±				5:1	1 OF 1	A4