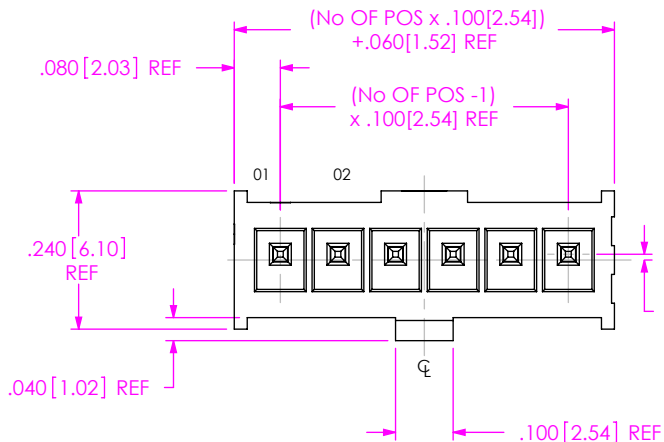


DO NOT SCALE FROM THIS PRINT

IPL1-1XX-XX-XXX-S-XX-X-XX



No OF POSITIONS  
-02 THRU -25

LEAD STYLE

- 01: THROUGH HOLE (USE T-1S64-XX-XX)
- 02: SURFACE MOUNT (SEE FIG. 2, SHT 2) (USE T-1S64-XX-XX)

PACKAGING OPTION

- TR: TAPE & REEL (SEE NOTE 10) (AVAILABLE WITH -02 LEAD STYLE ONLY) (MUST USE K-DOT-.177-.281-.005) (SEE FIG 5, SHT 3)
- FR: FULL REEL QTY. TAPE & REEL (SEE NOTE 11) (AVAILABLE WITH -02 LEAD STYLE ONLY) (MUST USE K-DOT-.177-.281-.005)

POLARIZATION OPTION

- K: KEYED POLARIZATION (USE IPL1-XX-S-K) (SEE FIG 4, SHEET 3) (LEAVE BLANK FOR NO POLARIZATION, SAMTEC WILL ONLY SUPPORT EXISTING BUSINESS AS OF REV J)

OPTION

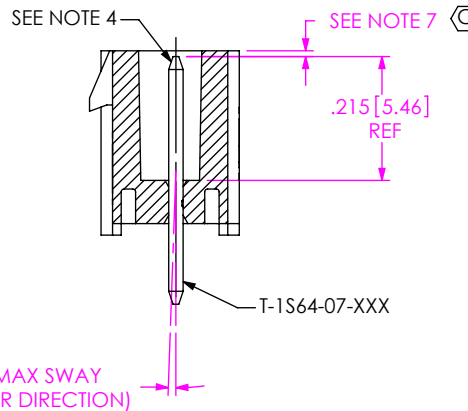
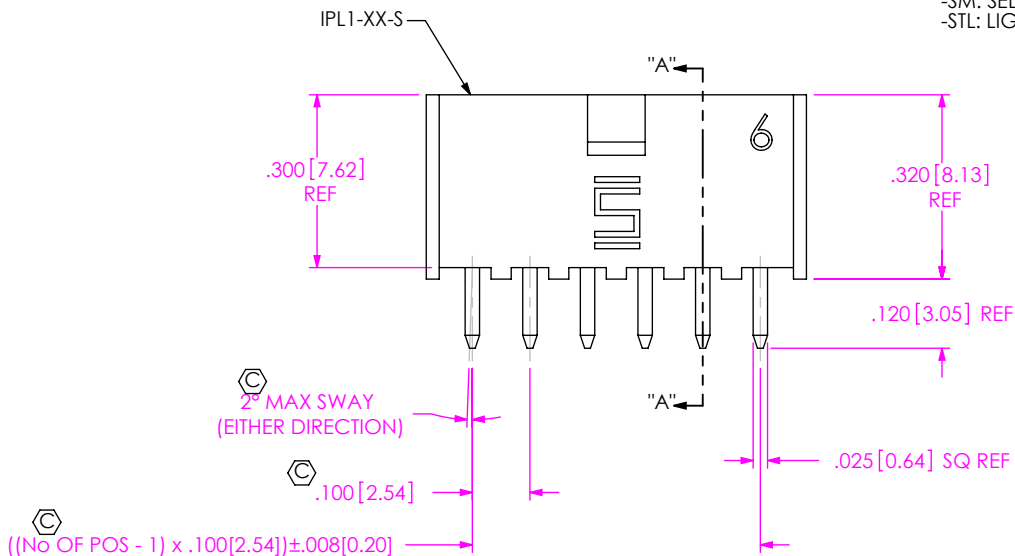
- RA: RIGHT ANGLE (SEE FIG 3, SHT 3) (AVAILABLE WITH -01 LEAD STYLE ONLY)

PLATING SPECIFICATION

- F: FLASH SELECTIVE (USE T-1S64-XX-F)
- L: LIGHT SELECTIVE (USE T-1S64-XX-L)
- S: SELECTIVE (USE T-1S64-XX-S)
- H: HEAVY GOLD (USE T-1S64-XX-H)
- FM: FLASH SELECTIVE/MATTE TIN TAILS (USE T-1S64-XX-F)
- LM: LIGHT SELECTIVE/MATTE TIN TAILS (USE T-1S64-XX-L)
- SM: SELECTIVE/MATTE TIN TAILS (USE T-1S64-XX-S)
- STL: LIGHT SELECTIVE TIN/LEAD (USE T-1S64-XX-STL)

ROW SPECIFICATION

- S: SINGLE (USE IPL1-XX-S)



SECTION "A"-"A"

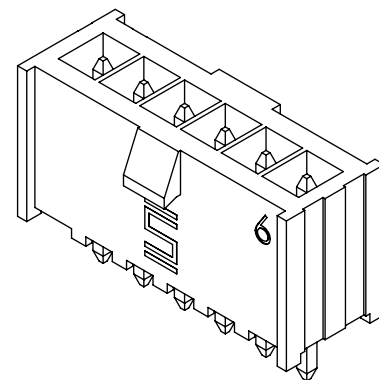


FIG 1  
IPL1-106-01-XXX-S SHOWN

NOTES:

1. REPRESENTS A CRITICAL DIMENSION.
2. MINIMUM TERMINAL RETENTION: 1 LB [4.45 N].
3. PARTS TO BE MOLDED TO POSITION.
4. POST MUST BE WITHIN .005[0.13] OF EACH OTHER.
5. ALL PIN TO PIN DIMENSIONS TO BE MEASURED FROM TIP TO TIP.
6. DIMENSION TO BE MEASURED AT BEND.
7. TIP TO BE FLUSH TO .015[0.38] BELOW TOP OF SHROUD.
8. NOTE DELETED.
9. PACKAGE ALL POSITIONS.
10. -TR OPTION ORDERS INVOLVING PARTIAL REEL QUANTITIES MAY BE PACKAGED ACCORDING TO THE SAMTEC PACKAGING EFFICIENCY STANDARDS (SPES) FOUND ON WWW.SAMTEC.COM.
11. -FR OPTIONS WILL BE SHIPPED AT THE MAX QUANTITY PER REEL, BASED ON OPTIONS SELECTED.

LEAD STYLE	OPTION	TERMINAL 1	OAL REF	-TR
-01	NONE	T-1S64-07-XX	.430[10.92]	N/A
-01	-RA	T-1S64-19-XX	.545[13.84]	N/A
-02	NONE	T-1S64-08-XX	.445[11.30]	K-DOT-.177-.281-.005

CPC THIS SHEET

C1, C2, C3, C4, C5

UNLESS OTHERWISE SPECIFIED, DIMENSIONS ARE IN INCHES. TOLERANCES ARE:  
DECIMALS ANGLES  
.XX: ±.01[0.3] ± 2°  
.XXX: ±.005[0.13]  
.XXXX: ±.0020[0.051]

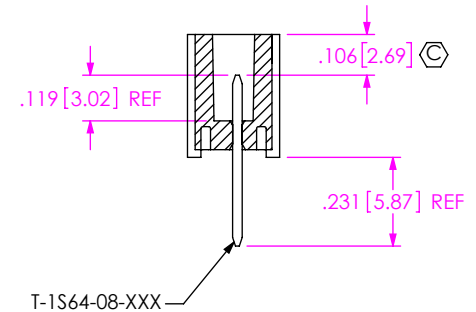
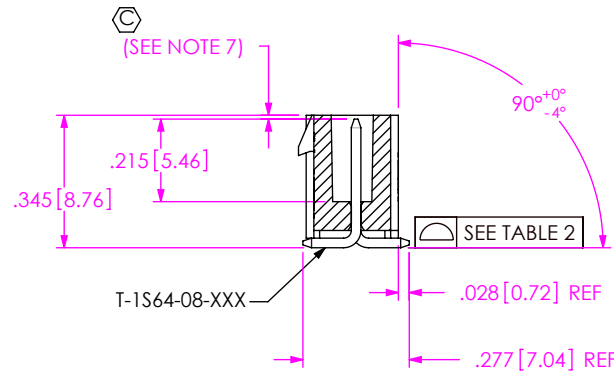
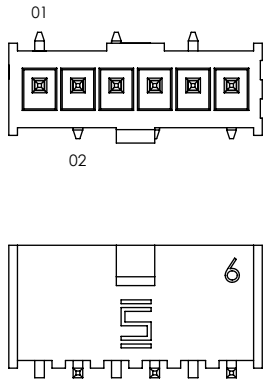
PROPRIETARY NOTE  
THIS DOCUMENT CONTAINS CONFIDENTIAL AND PROPRIETARY INFORMATION AND ALL DESIGN, MANUFACTURING, REPRODUCTION, USE, PATENT RIGHTS AND SALES RIGHTS ARE EXPRESSLY RESERVED BY SAMTEC, INC. THIS DOCUMENT SHALL NOT BE DISCLOSED, IN WHOLE OR PART, TO ANY UNAUTHORIZED PERSON OR ENTITY NOR REPRODUCED, TRANSFERRED OR INCORPORATED IN ANY OTHER PROJECT IN ANY MANNER WITHOUT THE EXPRESS WRITTEN CONSENT OF SAMTEC, INC.



520 PARK EAST BLVD. NEW ALBANY, IN 47150  
PHONE: 812-944-6733 FAX: 812-948-5047  
e-Mail info@SAMTEC.com code 55322

MATERIAL: DO NOT SCALE DRAWING SHEET SCALE: 3:1  
STANDARD INSULATOR: LCP UL94-V0, COLOR: BLACK  
-K INSULATOR: LCP UL94-V0, COLOR: NATURAL  
TERMINAL: PHOS BRONZE

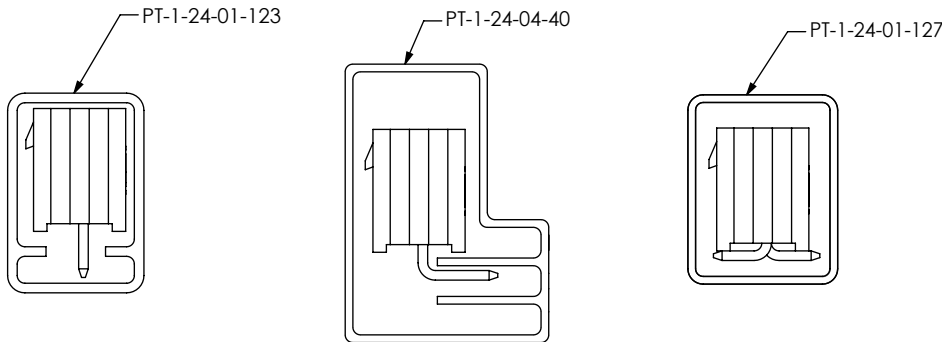
DESCRIPTION:  
.100[2.54] SINGLE ROW TERMINAL ASSEMBLY  
DWG. NO.  
IPL1-1XX-XX-XXX-S-XX-X-XX  
BY: D PURVIS 05/02/2005 SHEET 1 OF 3



-02: SURFACE MOUNT IN-PROCESS 1

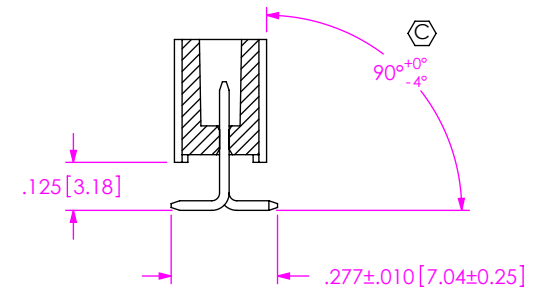
TABLE 2	
No OF POS.	COPLANARITY
-02 THRU -05	.004[0.10]
-06 THRU -10	.005[0.13]

FIG 2  
 STYLE -02: SURFACE MOUNT  
 IPL1-106-02-XXX-S SHOWN  
 [DIFFERENT AS SHOWN, OTHERWISE SAME AS FIG 1]



PACKAGING TABLE			
LEAD STYLE	OPTION	PACKAGING TUBE	PLUG
-01	NONE	PT-1-24-01-123	TP-07
-01	-RA	PT-1-24-04-40	TP-07
-02	NONE	PT-1-24-01-127	TP-07

PACKAGING VIEWS  
 (PARTS TO HAVE POSITION #1 LOADED  
 IN SAME DIRECTION AS ARROW ON TUBE)



-02: SURFACE MOUNT IN-PROCESS 2

F:\DWG\MISC\MKTG\IPL1-1XX-XX-XXX-S-XX-X-XX-MKT.SLDDRW

CPC  
 THIS SHEET  
  
 C6, C7, C10

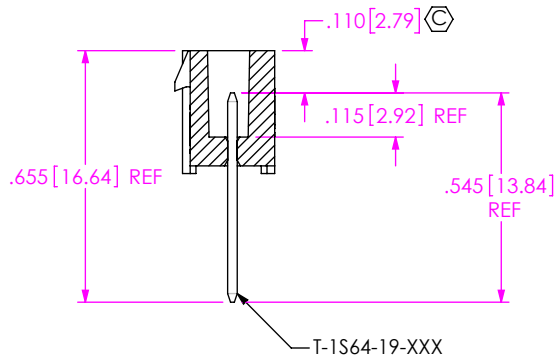
**PROPRIETARY NOTE**  
 \* THIS DOCUMENT CONTAINS CONFIDENTIAL AND PROPRIETARY INFORMATION AND ALL DESIGN, MANUFACTURING, REPRODUCTION, USE, PATENT RIGHTS AND SALES RIGHTS ARE EXPRESSLY RESERVED BY SAMTEC, INC. THIS DOCUMENT SHALL NOT BE DISCLOSED, IN WHOLE OR PART, TO ANY UNAUTHORIZED PERSON OR ENTITY NOR REPRODUCED, TRANSFERRED OR INCORPORATED IN ANY OTHER PROJECT IN ANY MANNER WITHOUT THE EXPRESS WRITTEN CONSENT OF SAMTEC, INC.

DO NOT SCALE DRAWING  
 SHEET SCALE: 2:1

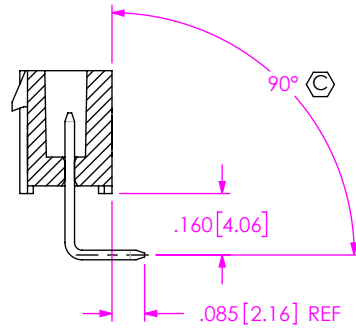


520 PARK EAST BLVD, NEW ALBANY, IN 47150  
 PHONE: 812-944-6733 FAX: 812-948-5047  
 e-Mail info@SAMTEC.com code 55322

DESCRIPTION:  
 .100[2.54] SINGLE ROW TERMINAL ASSEMBLY  
 DWG. NO.  
**IPL1-1XX-XX-XXX-S-XX-X-XX**  
 BY: D PURVIS 05/02/2005 SHEET 2 OF 3



-RA: IN-PROCESS 1



-RA: IN-PROCESS 2

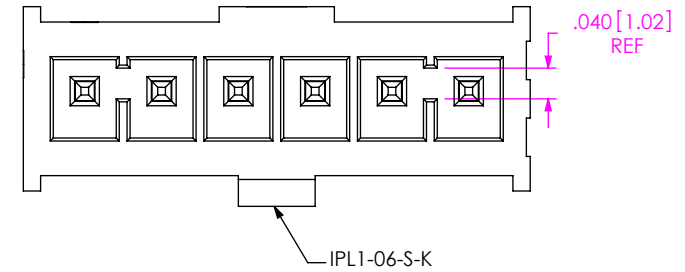


FIG 4  
-K: KEYED POLARIZATION  
(IPL1-106-01-XXX-S-K SHOWN)  
(SAME AS FIG 1 UNLESS OTHERWISE STATED)

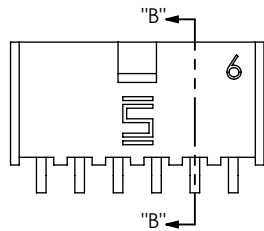
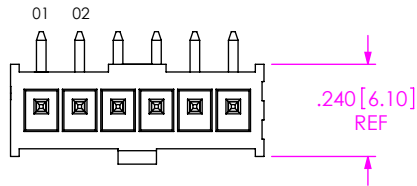


FIG 3  
-RA: RIGHT ANGLE  
IPL1-106-01-XXX-S-RA SHOWN  
[DIFFERENT AS SHOWN, OTHERWISE SAME AS FIG 1]

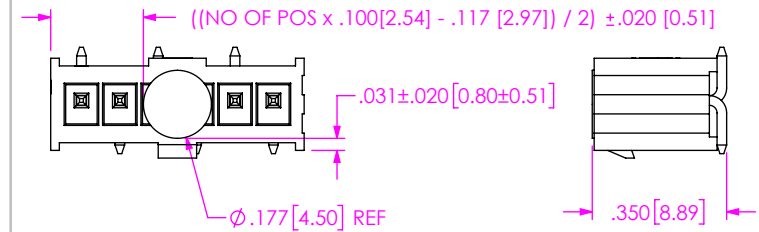
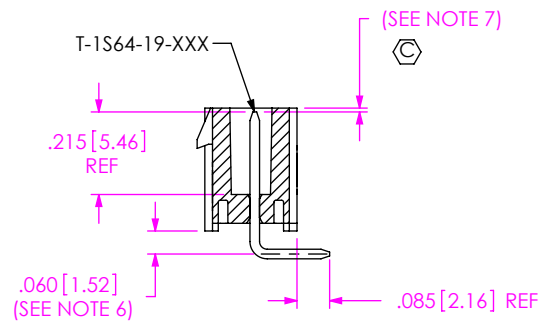


FIG 5  
(IPL1-106-02-XXX-S-TR SHOWN)  
(MUST USE K-DOT-.177-.281-.005)  
(SAME AS FIG 2 UNLESS OTHERWISE STATED)  
SECTION B-B

CPC  
THIS SHEET

C8, C9, C11

**PROPRIETARY NOTE**  
THIS DOCUMENT CONTAINS CONFIDENTIAL AND PROPRIETARY INFORMATION AND ALL DESIGN, MANUFACTURING, REPRODUCTION, USE, PATENT RIGHTS AND SALES RIGHTS ARE EXPRESSLY RESERVED BY SAMTEC, INC. THIS DOCUMENT SHALL NOT BE DISCLOSED, IN WHOLE OR PART, TO ANY UNAUTHORIZED PERSON OR ENTITY NOR REPRODUCED, TRANSFERRED OR INCORPORATED IN ANY OTHER PROJECT IN ANY MANNER WITHOUT THE EXPRESS WRITTEN CONSENT OF SAMTEC, INC.

DO NOT SCALE DRAWING

SHEET SCALE: 2:1

**samtec**

520 PARK EAST BLVD, NEW ALBANY, IN 47150  
PHONE: 812-944-6733 FAX: 812-948-5047  
e-Mail info@SAMTEC.com code 55322

DESCRIPTION:  
.100 [2.54] SINGLE ROW TERMINAL ASSEMBLY

DWG. NO.  
IPL1-1XX-XX-XXX-S-XX-X-XX

BY: D PURVIS 05/02/2005 SHEET 3 OF 3