

4

3

2

1

THIS DRAWING IS UNPUBLISHED. RELEASED FOR PUBLICATION
© COPYRIGHT ALL RIGHTS RESERVED.

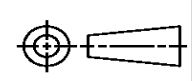
LOC	DIST	REVISIONS			
P	LTR	DESCRIPTION	DATE	DWN	APVD
	A1	ECR-15-000199	07JAN2015	GK	HMR

REPLACED BY OCEAN STYLE APPLICATOR PART NUMBER 2266547-1

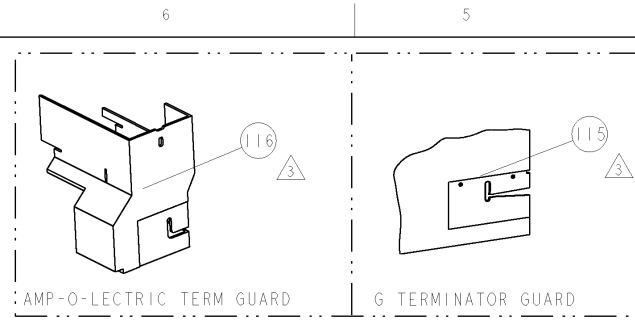
FOR REPLACEMENT PARTS FOR APPLICATOR 1852500 REFER TO ADDITIONAL PAGE(S). SPARE PARTS KIT (IF LISTED) WILL REMAIN AVAILABLE.

THE REPLACEMENT OCEAN STYLE APPLICATOR HAS THE SAME TERMINATOR/PRESS INTERFACE AS APPLICATOR 1852500

THIS DRAWING IS A CONTROLLED DOCUMENT.		DWN	GOPALAKRISHNA HV														
DIMENSIONS:		CHK	RAGHAVENDRA														
TOLERANCES UNLESS OTHERWISE SPECIFIED:		APVD	RAGHAVENDRA														
<table border="0"> <tr><td>0 PLC</td><td>±</td></tr> <tr><td>1 PLC</td><td>±</td></tr> <tr><td>2 PLC</td><td>±</td></tr> <tr><td>3 PLC</td><td>±</td></tr> <tr><td>4 PLC</td><td>±</td></tr> <tr><td>ANGLES</td><td>±</td></tr> </table>		0 PLC	±	1 PLC	±	2 PLC	±	3 PLC	±	4 PLC	±	ANGLES	±	PRODUCT SPEC	NAME		
0 PLC	±																
1 PLC	±																
2 PLC	±																
3 PLC	±																
4 PLC	±																
ANGLES	±																
MATERIAL		APPLICATION SPEC	SIDE FEED HDM APPLICATOR														
FINISH		WEIGHT	SIZE	CAGE CODE	DRAWING NO												
			A3		©- 1852500												
		CUSTOMER DRAWING	SCALE	SHEET 1 OF 2	REV A1												



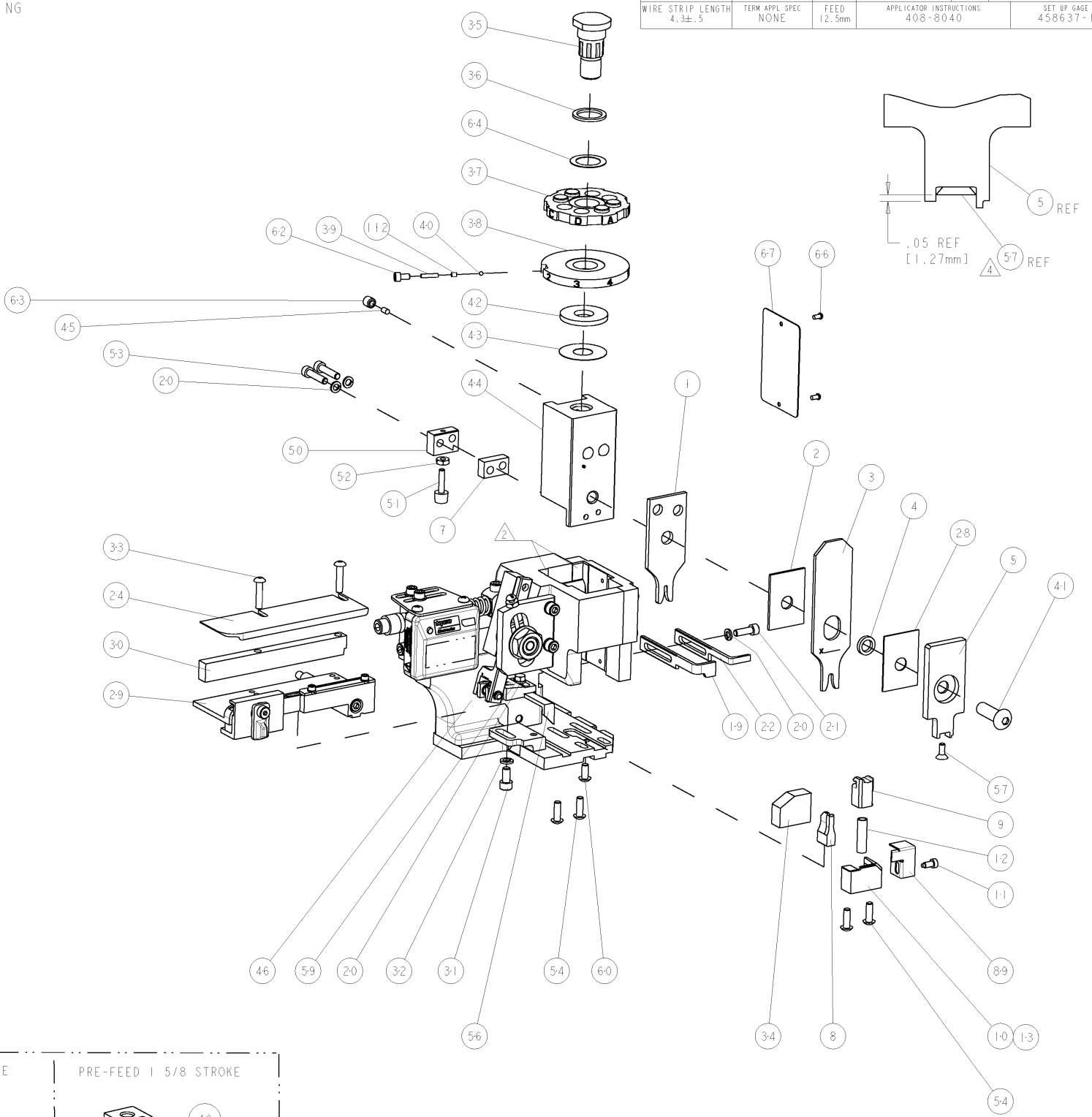
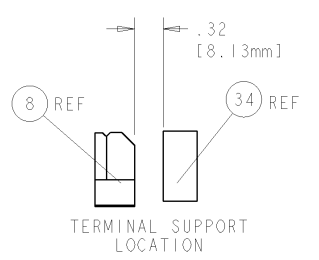
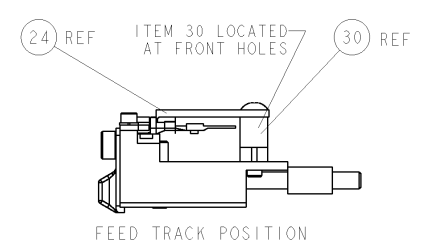
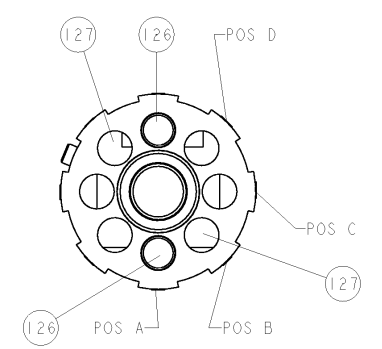
PART NUMBER	REV	FIRST USED	POWER UNIT	FEED TYPE	DESCRIPTION
1852500-1	A	122500-1	LEADMAKER	POST FEED	CUTS CARRIER
1852500-2	A	565435-5	BENCH MODEL K	PRE FEED	CUTS CARRIER
1852500-3	A	354500-1	BENCH MODEL G	PRE FEED	CUTS CARRIER
1852500-6	A	122500-1	LEADMAKER	POST FEED	CONTINUOUS CARRIER
7-1852500-7	A	-	-	-	SPARE PARTS



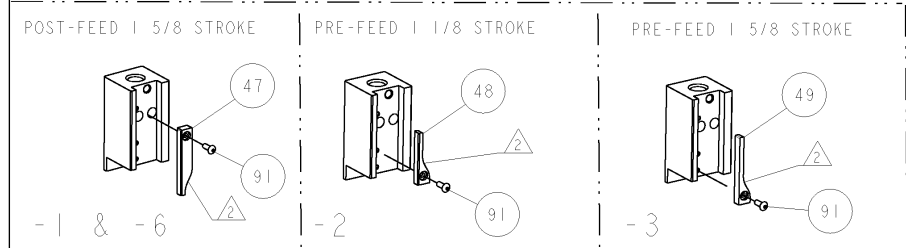
TYCO PN		AMP TERMINAL - AMP CRIMP SPECS	
1-936260-1	-	CRIMP HEIGHT	WIRE SIZE
-	-	A 1.09±0.05mm [.043±.002]	0.5mm2 or 20AWG
-	-	B 1.01±0.05mm [.040±.002]	0.3mm2 or 22AWG
-	-	C -	-
-	-	D -	-
SEAL PN	CRIMP	SIZE	TYPE
828904-1	-	1.78mm [.070]	F
-	-	3.56mm [.140]	O
WIRE STRIP LENGTH	TERM APPL SPEC	FEED	APPLICATOR INSTRUCTIONS
4.3±.5	NONE	12.5mm	408-8040
			SET UP GAGE 458637-1

LOC	DIST	REV	DESCRIPTION	DATE	BY	APPD
A	66		RELEASED	13JUL2007	BH	BH

- △ RECOMMENDED SPARE PARTS
- △ GREASE LIGHTLY
- △ GUARD MUST BE IN PLACE WHEN OPERATING APPLICATOR IN A BENCH MACHINE



-	2	2	2	2	-	4-354779-0	PIN, WIRE DISC, .3190	127
-	2	2	2	2	-	3-354779-2	PIN, WIRE DISC, .3150	126
-	-	-	REF	-	..	455749-1	GUARD WINDOW	116
-	-	REF	-	-	..	679532-1	INSERT, GUARD	115
-	1	1	1	1	-	690603-1	SPRING ASSIST AMP-O-MATOR APPLICATOR	112
-	1	1	1	1	-	1-21002-7	SCR, BTN SKT HD CAP 6-32 X .375	91
-	1	1	1	1	-	318563-1	GUARD, FRONT CHIP	89
-	1	1	1	1	-	4088040	SF APPL INST 408-8040	72
-	1	1	1	1	-	217238-1	GENERAL INSTRUCTION PKG	71
-	1	1	1	1	-	461264-1	PLATE, IDENTIFICATION	67
-	2	2	2	2	-	21017-2	SCREW, DRIVE	66
-	1	1	1	1	-	986950-1	WASHER, FLAT PRECISION	64
-	1	1	1	1	-	21009-2	SCR, SET, SELF LOCKING 1/4-20 X .250	63
-	1	1	1	1	-	23030-1	SCR, SKT HD CAP 6-32 X .25	62
-	1	1	1	1	-	22733-8	SCR, BHSC, SELF-LOCKING, 8-32 X .375	60
-	1	1	1	1	-	2-22603-0	SCR, HEX HD CAP 8-32 X .312	59
-	1	1	1	1	-	1-21003-9	SCR, FLT SKT HD CAP 6-32 X .375	57
-	1	1	1	1	-	458537-2	PAWL, FEED	56
-	4	4	4	4	-	2-21002-2	SCR, BTN SKT HD CAP 8-32 X .500	54
-	2	2	2	2	-	2-21000-9	SCR, SKT HD CAP 8-32 X .750	53
-	1	1	1	1	-	21018-5	NUT, HEX, REG 6-32	52
-	1	1	1	1	-	811242-2	BUMPER, HOLD DOWN	51
-	1	1	1	1	-	690753-1	SPACER, TONKER	50
-	-	-	-	-	..	690602-6	CAM, PRE FEED, 1/8	49
-	-	-	-	-	..	690602-5	CAM, PRE FEED, 1/8	48
-	1	-	-	-	-	690501-4	CAM, POST FEED, 1/8	47
-	1	1	1	1	-	459456-1	APPL. BASIC SUB ASSY (SIDE WISE MOCA)	46
-	1	1	1	1	-	690191-1	PLUG, NYLON	45
-	1	1	1	1	-	455673-1	RAM, SIDE FEED	44
-	1	1	1	1	-	690125-1	SHIM SUB-ASSY	43
-	1	1	1	1	-	1-690124-4	WASHER, RAM (.120)	42
-	1	1	1	1	-	7-21002-9	SCR, BTN SKT HD CAP 5/16-24 X 1.00	41
-	1	1	1	1	-	23241-6	BALL, STEEL	40
-	1	1	1	1	-	690170-1	SPRING, COMPRESSION	39
-	1	1	1	1	-	1-690142-0	DISC, INSULATION	38
-	1	1	1	1	-	354777-1	WIRE DISC, ASSEMBLY	37
-	1	1	1	1	-	22480-5	SPRING, COMPRESSION	36
-	1	1	1	1	-	690212-1	POST, RAM	35
-	1	1	1	1	-	690786-2	TERMINAL SUPPORT	34
-	2	2	2	2	-	2-21002-4	SCR, BTN SKT HD CAP 8-32 X .750	33
-	1	1	1	1	-	21024-5	WASHER, SPRG LOCK, REG NO 10	32
-	1	1	1	1	-	3-21000-4	SCR, SKT HD CAP 10-32 X .375	31
-	1	1	1	1	-	1320908-1	SPACER, STRIP GUIDE	30
-	1	1	1	1	-	1633091-1	ASSEMBLY, STRIP GUIDE	29
-	1	1	1	1	-	455888-6	SPACER, CRIMPER	28
-	1	1	1	1	-	1320928-1	PLATE, STRIP GUIDE	24
-	1	-	-	-	-	690472-2	STRIPPER	22
-	1	1	1	1	-	2-21000-7	SCR, SKT HD CAP 8-32 X .500	21
-	4	4	4	4	-	21024-4	WASHER, SPRG LOCK, REG NO 8	20
-	-	-	-	-	-	691353-1	STRIPPER	19
-	1	-	-	-	-	679625-2	SHEAR HOLDER, FRONT (NO CUT)	13
-	1	1	1	1	-	3-22280-3	SPRING, COMPRESSION	12
-	1	1	1	1	-	690461-2	STOP, SHEAR	11
-	-	-	-	-	-	1-690459-0	SHEAR HOLDER, FRONT	10
-	1	1	1	1	-	318707-1	FLOATING SHEAR, FRONT	9
-	1	1	1	1	-	1633544-3	ANVIL, COMBINATION	8
-	1	1	1	1	-	2-240641-3	SPACER	7
-	-	-	-	-	..	-	-	6
-	1	1	1	1	-	318701-6	DEPRESSOR, SHEAR	5
-	1	1	1	1	-	1-238011-0	BLOCK, CRIMPER SPACER	4
-	1	1	1	1	-	5-683454-0	CRIMPER, INSULATION O	3
-	1	1	1	1	-	1-455888-4	SPACER, CRIMPER	2
-	1	1	1	1	-	1-456404-8	CRIMPER, WIRE PREMIUM	1



DIMENSIONS:		TOLERANCES UNLESS OTHERWISE SPECIFIED:		APPROVED:		CUSTOMER DRAWING	
INCHES	0 PLC ±.010	1 PLC ±.015	2 PLC ±.020	3 PLC ±.030	4 PLC ±.050	APPROVED	DATE
	5 PLC ±.075	6 PLC ±.100	7 PLC ±.150	8 PLC ±.200	9 PLC ±.300	DATE	DATE
	10 PLC ±.500	11 PLC ±.750	12 PLC ±1.000	13 PLC ±1.500	14 PLC ±2.000	DATE	DATE
	15 PLC ±3.000	16 PLC ±4.500	17 PLC ±6.000	18 PLC ±9.000	19 PLC ±12.000	DATE	DATE
	20 PLC ±18.000	21 PLC ±27.000	22 PLC ±36.000	23 PLC ±54.000	24 PLC ±72.000	DATE	DATE
	25 PLC ±108.000	26 PLC ±162.000	27 PLC ±216.000	28 PLC ±324.000	29 PLC ±432.000	DATE	DATE
	30 PLC ±270.000	31 PLC ±405.000	32 PLC ±540.000	33 PLC ±810.000	34 PLC ±1080.000	DATE	DATE
	35 PLC ±1620.000	36 PLC ±2430.000	37 PLC ±3240.000	38 PLC ±4860.000	39 PLC ±6480.000	DATE	DATE
	40 PLC ±10800.000	41 PLC ±16200.000	42 PLC ±21600.000	43 PLC ±32400.000	44 PLC ±43200.000	DATE	DATE
	45 PLC ±27000.000	46 PLC ±40500.000	47 PLC ±54000.000	48 PLC ±81000.000	49 PLC ±108000.000	DATE	DATE
	50 PLC ±54000.000	51 PLC ±81000.000	52 PLC ±108000.000	53 PLC ±162000.000	54 PLC ±216000.000	DATE	DATE
	55 PLC ±432000.000	56 PLC ±648000.000	57 PLC ±864000.000	58 PLC ±1296000.000	59 PLC ±1728000.000	DATE	DATE
	60 PLC ±1312200.000	61 PLC ±1968300.000	62 PLC ±2624400.000	63 PLC ±3936600.000	64 PLC ±5248800.000	DATE	DATE
	65 PLC ±7949400.000	66 PLC ±11924100.000	67 PLC ±15898800.000	68 PLC ±23848200.000	69 PLC ±31797600.000	DATE	DATE
	70 PLC ±15898800.000	71 PLC ±23848200.000	72 PLC ±31797600.000	73 PLC ±47696400.000	74 PLC ±63595200.000	DATE	DATE
	75 PLC ±31797600.000	76 PLC ±47696400.000	77 PLC ±63595200.000	78 PLC ±95271200.000	79 PLC ±126728100.000	DATE	DATE
	80 PLC ±196830000.000	81 PLC ±295245000.000	82 PLC ±393660000.000	83 PLC ±590490000.000	84 PLC ±787320000.000	DATE	DATE
	85 PLC ±393660000.000	86 PLC ±590490000.000	87 PLC ±787320000.000	88 PLC ±1174530000.000	89 PLC ±1568040000.000	DATE	DATE
	90 PLC ±1174530000.000	91 PLC ±1761795000.000	92 PLC ±2349060000.000	93 PLC ±3523590000.000	94 PLC ±4698120000.000	DATE	DATE
	95 PLC ±9527120000.000	96 PLC ±14290680000.000	97 PLC ±18987570000.000	98 PLC ±28481350000.000	99 PLC ±37975130000.000	DATE	DATE
	100 PLC ±75960960000.000	101 PLC ±113941440000.000	102 PLC ±151921920000.000	103 PLC ±227882880000.000	104 PLC ±303843840000.000	DATE	DATE
	105 PLC ±151921920000.000	106 PLC ±227882880000.000	107 PLC ±303843840000.000	108 PLC ±455765760000.000	109 PLC ±607687680000.000	DATE	DATE
	110 PLC ±455765760000.000	111 PLC ±683648640000.000	112 PLC ±911531520000.000	113 PLC ±1367297280000.000	114 PLC ±1822957440000.000	DATE	DATE
	115 PLC ±1822957440000.000	116 PLC ±2734436160000.000	117 PLC ±3645914880000.000	118 PLC ±5468872320000.000	119 PLC ±7291827840000.000	DATE	DATE
	120 PLC ±3645914880000.000	121 PLC ±5468872320000.000	122 PLC ±7291827840000.000	123 PLC ±10937741696000.000	124 PLC ±14617022528000.000	DATE	DATE
	125 PLC ±14617022528000.000	126 PLC ±21925533792000.000	127 PLC ±29234045056000.000	128 PLC ±43851067616000.000	129 PLC ±58368089664000.000	DATE	DATE
	130 PLC ±58368089664000.000	131 PLC ±87552134496000.000	132 PLC ±116736179936000.000	133 PLC ±175104269824000.000	134 PLC ±233472359712000.000	DATE	DATE
	135 PLC ±175104269824000.000	136 PLC ±262656409664000.000	137 PLC ±350840449504000.000	138 PLC ±526260674240000.000	139 PLC ±701680898880000.000	DATE	DATE
	140 PLC ±701680898880000.000	141 PLC ±1052521348224000.000	142 PLC ±1403361797568000.000	143 PLC ±2105042696352000.000	144 PLC ±2807563595136000.000	DATE	DATE
	145 PLC ±2807563595136000.000	146 PLC ±4211345392704000.000	147 PLC ±5615127190080000.000	148 PLC ±8422690784128000.000	149 PLC ±11230144278272000.000	DATE	DATE
	150 PLC ±11230144278272000.000	151 PLC ±16845216417408000.000	152 PLC ±22460288556544000.000	153 PLC ±33690432834816000.000	154 PLC ±44920579113088000.000	DATE	DATE
	155 PLC ±44920579113088000.000	156 PLC ±67380868669696000.000	157 PLC ±89841158226304000.000	158 PLC ±134761737359424000.000	159 PLC ±179681916479168000.000	DATE	DATE
	160 PLC ±179681916479168000.000	161 PLC ±269522874718720000.000	162 PLC ±359363832958272000.000	163 PLC ±539045700337280000.000	164 PLC ±718727566716288000.000	DATE	DATE
	165 PLC ±718727566716288000.000	166 PLC ±1078091350074432000.000	167 PLC ±1437455133432480000.000	168 PLC ±21561827001487360000.000	169 PLC ±28748750568530304000.000	DATE	DATE
	170 PLC ±28748750568530304000.000	171 PLC ±431231258528000000.000	172 PLC ±5749750113707200000.000	173 PLC ±8624635370560000000.000	174 PLC ±11509520447424000000.000	DATE	DATE
	175 PLC ±11509520447424000000.000	176 PLC ±17264280671136000000.000	177 PLC ±23019040894848000000.000	178 PLC ±34528561342272000000.000	179 PLC ±46038041890704000000.000	DATE	DATE
	180 PLC ±46038041890704000000.000	181 PLC ±69057062836064000000.000	182 PLC ±92076083781424000000.000	183 PLC ±138114125672128000000.000	184 PLC ±184152167562832000000.000	DATE	DATE
	185 PLC ±184152167562832000000.000	186 PLC ±276228251344256000000.000	187 PLC ±368304335125680000000.000	188 PLC ±552456502688512000000.000	189 PLC ±736608670141936000000.000	DATE	DATE
	190 PLC ±736608670141936000000.000	191 PLC ±1104913005212928000000.000	192 PLC ±1473219369316480000000.000	193 PLC ±2209829053924736000000.000	194 PLC ±2945438708637024000000.000	DATE	DATE
	195 PLC ±2945438708637024000000.000	196					

Mouser Electronics

Authorized Distributor

Click to View Pricing, Inventory, Delivery & Lifecycle Information:

[TE Connectivity:](#)

[1852500-2](#)