

THIS DRAWING IS UNPUBLISHED. RELEASED FOR PUBLICATION
 © COPYRIGHT - By - TE CONNECTIVITY ALL RIGHTS RESERVED.

LOC	DIST	REVISIONS			
P	LTR	DESCRIPTION	DATE	DWN	APVD
HB	-				
E		REMOVED THE RIB ON THE BASE TO CASE ECO-15-011310	03DEC2015	YS.H	CHL

D

D

C

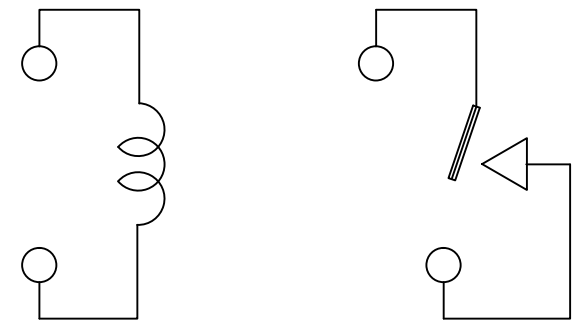
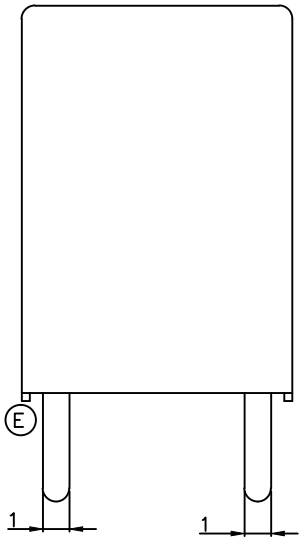
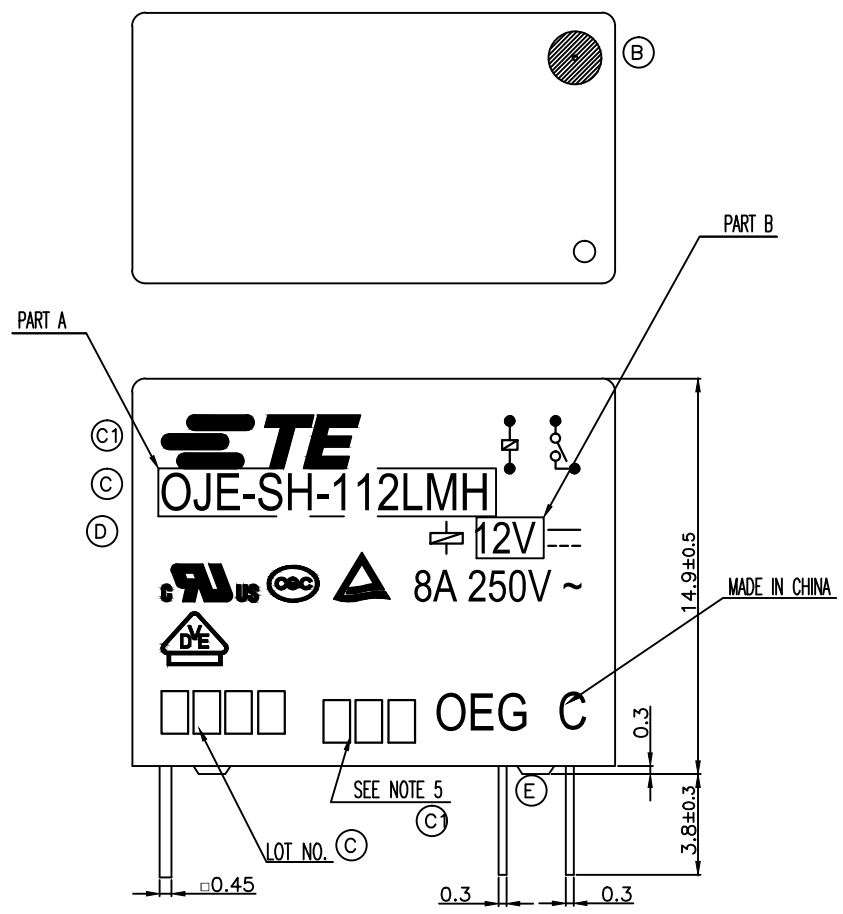
C

B

B

A

A



CONNECTION FIGURE

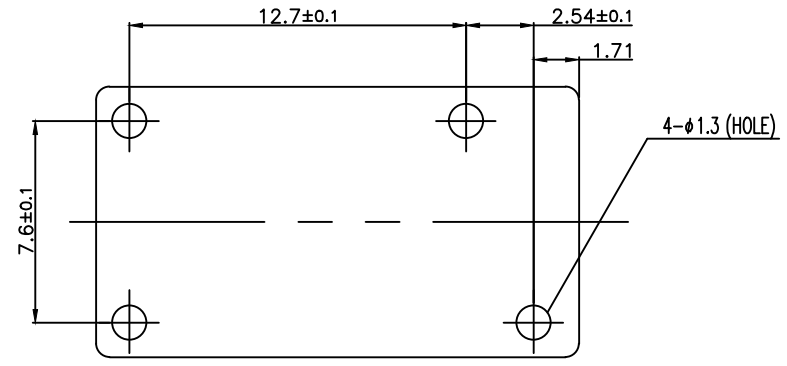
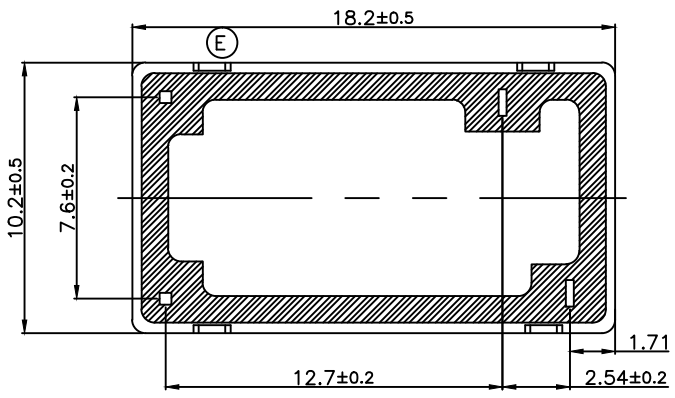


FIGURE FOR PRINTED CIRCUIT BOARD PROCESSING (BOTTOM VIEW)



THIS DRAWING IS A CONTROLLED DOCUMENT.		DWN	H.SASAKI	-	TE TE Connectivity			
DIMENSIONS: mm		CHK	Y.OIKAWA	-				
TOLERANCES UNLESS OTHERWISE SPECIFIED:		APVD	S.NAGAI	-	NAME OJE-SH-LMH CUSTOMER DRAWING			
0 PLC ± -		PRODUCT SPEC	SEE PRODUCT SPEC	-				
1 PLC ± -		APPLICATION SPEC	-	-	SIZE	CAGE CODE	DRAWING NO	RESTRICTED TO
2 PLC ± -		WEIGHT	-	-	A3	00779	1461403	-
3 PLC ± -		CUSTOMER DRAWING		SCALE	5:1	SHEET	1 OF 2	REV
4 PLC ANGLES ± -								E
MATERIAL		FINISH						

THIS DRAWING IS UNPUBLISHED.

RELEASED FOR PUBLICATION

© COPYRIGHT - By - TE CONNECTIVITY

ALL RIGHTS RESERVED.

LOC
HB

DIST
-

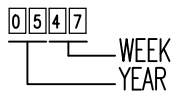
REVISIONS

P	LTR	DESCRIPTION	DATE	DWN	APVD
-	-	SEE SHEET 1	-	-	-

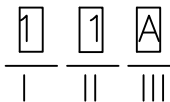
1461403-5	OJE-SH-124LMH	107-79010	24V	OJE-SH-124LMH	f
1461403-4	OJE-SH-112LMH	107-79010	12V	OJE-SH-112LMH	e
1461403-2	OJE-SH-109LMH	107-79010	9V	OJE-SH-109LMH	d
1461403-1	OJE-SH-106LMH	107-79010	6V	OJE-SH-106LMH	c
1461403-3	OJE-SH-105LMH	107-79010	5V	OJE-SH-105LMH	b
1461403-6	OJE-SH-103LMH	107-79010	3V	OJE-SH-103LMH	a
TE PART NO	TE TYPE NAME	PACKAGE SPEC	PART B	PART A	TYPE

RELAY TYPE

© B NOTES:
1.LOT NO. SYSTEM AS FOLLOWING:



© 5.ADD LOT NO. SYSTEM AS FOLLOWING;



I, DIGITS FOR DAY OF THE WEEK
 1...MONDAY IN THIS WEEK;
 2...TUESDAY IN THIS WEEK;

 7...SUNDAY IN THIS WEEK

II, DIGITS FOR SHIFT OF THE DAY
 1...DAY SHIFT IN THIS DAY;
 2...NIGHT SHIFT IN THIS DAY;

III, ONE CHARACTER DISTINGUISH THE LINE IDENTITY,
 SUCH AS: A,B.....Z

© 2.TERMINAL DIMENSION IS BEFORE SOLDER DIP;

© 3.FOR THE TIN-PLATING OF THE PINS:
+0.1mm FOR WIDTH,THICKENSS AND DIAMETER.
+0.5mm FOR LENGTH.

© 4.MARKING FROM INK TO LASER AND USING WELDED CONTACT

		UV RESIN	SEEL (VENT HOLE)	16
		EPOXY RESIN	SEEL (BASE & BOBBIN)	15
		JUEW	MAGNETIC WIRE	14
94V-0		P.B.T	CASE	13
94V-0		P.B.T	BASE	12
94V-0		P.B.T	BOBBIN	11
	SOLDER DIP	C.P WIRE	COIL TERMINAL	10
94V-0		P.P.S	CARD	9
		Ag ALLOY	MOVABLE CONTACT	8
		Ag ALLOY	NO.CONTACT	7
		STEEL	HINGE SPRING	6
	SOLDER DIP	Cu ALLOY	NO.TERMINAL	5
	SOLDER DIP	Cu ALLOY	MOVABLE SPRING	4
	NIP	STEEL	CORE	3
	NIP	STEEL	ARMATURE	2
	NIP	STEEL	YOKE	1
INCOMBUSTIBILITY	TREATMENT	MATERIAL	DESCRIPTION	ITEM

THIS DRAWING IS A CONTROLLED DOCUMENT.		DWN	H.SASAKI	-				
DIMENSIONS: mm		CHK	Y.OIKAWA	-				
TOLERANCES UNLESS OTHERWISE SPECIFIED:		APVD	S.NAGAI	-				
	0 PLC	±	-	NAME	-			
	1 PLC	±	-	PRODUCT SPEC	OJE-SH-LMH CUSTOMER DRAWING			
	2 PLC	±	-	APPLICATION SPEC	-			
	3 PLC	±	-	SIZE	A3			
4 PLC	±	-	CAGE CODE	00779				
ANGLES	±	-	DRAWING NO	1461403				
MATERIAL	FINISH	WEIGHT	-	RESTRICTED TO	-			
CUSTOMER DRAWING			SCALE	5:1	SHEET	2 OF 2	REV	E



Mouser Electronics

Authorized Distributor

Click to View Pricing, Inventory, Delivery & Lifecycle Information:

[TE Connectivity:](#)

[1461403-4](#)